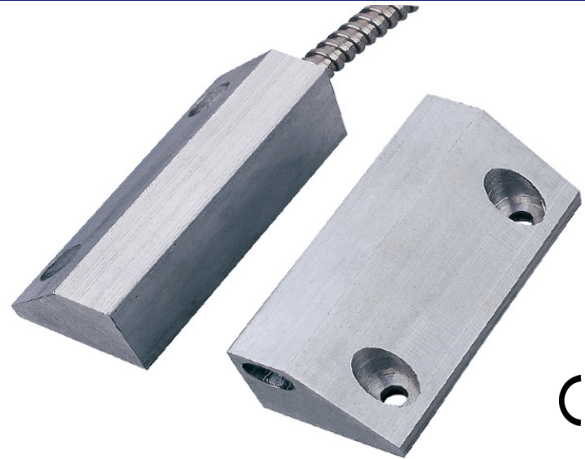


## Magnetic Contact Switches

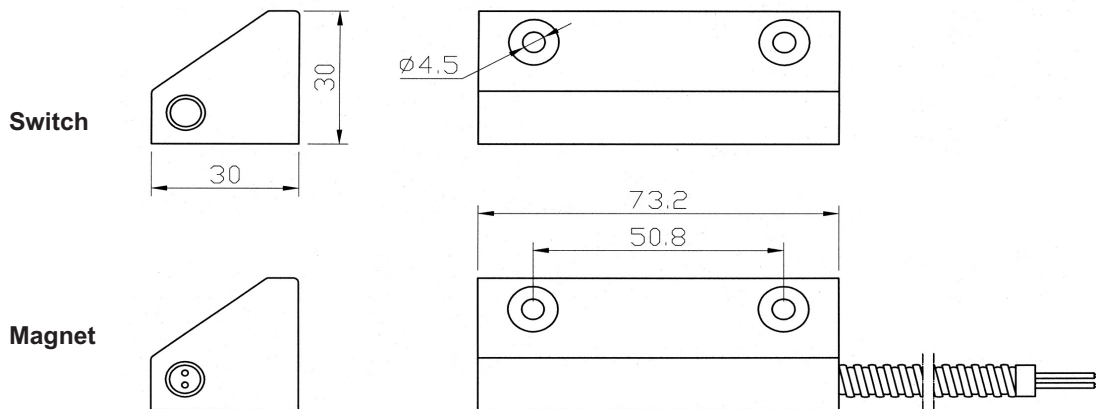
### Specification: MCS-142 Series

- \*Small size
- \*Heavy duty Aluminium housing
- \*Extruded Aluminium casting for harsh environments
- \*Wire: #22 with 22" armoured cable
- \*Longer leads available
- \*Switches and magnets available separately
- \*Jacket cable available: BSD3015-J
- \*Resistor, diode and supervisory loop available on request

### Overhead Door Contact



### Dimensions (mm)



### Order Information

Part Number	Loop Type	Reed Form	Closed Gap Inch (mm)	Departure Gap Inch (mm)	Max Initial Contact Resistance (Ohm)	Max Initial Contact rating (W)	Max Switching Voltage (VDC/VAC)	Max Switching Current (A)
MCS-142-1	Closed	N/O	2.95(75)	3.18 (80)	0.150	7.5	100	0.4
MCS-142-2	Closed	N/O	3½(90)	3.75 (95)	0.150	7.5	100	0.4
MCS-142-3	Open	N/C	2½(65)		0.150	3	30	0.2
MCS-142-4	Closed & Open	SPDT	2½(65)		0.150	3	30	0.2
MCS-142-5	DPDT	2SPDT	2½(65)		0.150	3	30	0.2

Note: These magnetic contact switches shall be installed so that a door or other movable opening cannot be opened more than 2 inches (51mm) without initiating an alarm. Switches exceeding 2 inches cannot be installed per UL681- the standard for installation and classification of burglar and holdup alarm.



ISO 9001:2008  
Certificate No. FM21080

As part of the company policy of continued product improvement, specifications may change without notice. Our sales office will be pleased to help you with the latest information on this product range and the details of our full design and manufacturing service. All products are supplied to our standard conditions of sale unless otherwise agreed in writing.

Phone : +44 (0)1255 862236

[www.comus-intl.com](http://www.comus-intl.com)

Fax: +44 (0)1255 862014

©2015 Copyright Comus Europe Ltd, Unit 7, Rice Bridge Industrial Estate, Thorpe - Le - Soken, Essex, CO16 0HL, ENGLAND.  
USA: + 1 973 777 6900 - Belgium: + 32 (0)12 390400 - France: + 33 (0) 1 43 96 86 10