
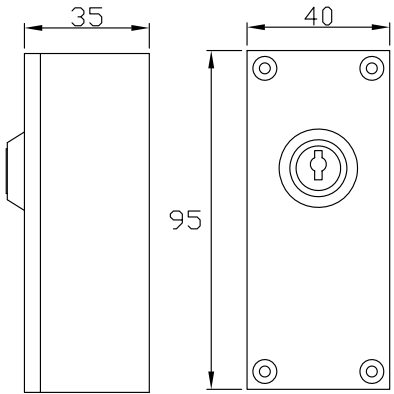
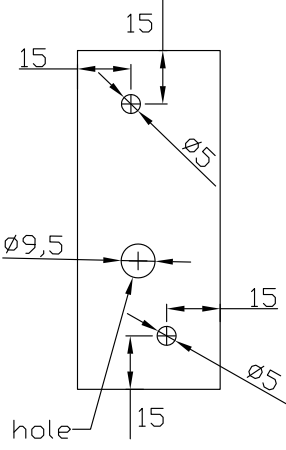
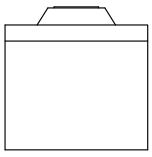


**Surface Mount Key Arm / Disarm Switch**  
**Part Number : CA253 (60° Key rotation)**  
**Product Data Sheet**

PICTURE	DIMENSIONS	
 <p style="background-color: #008000; color: white; padding: 2px; display: inline-block;">✓ RoHS Compliant</p>	FRONT	REAR
		 <p style="text-align: center;">Cable hole</p>
		
Drawings not to scale All dimensions in mm nominal		

SPECIFICATION		
Contact Form		Double pole change over / 2 x Keys, keyed to differ
Protection		Reed based Magnetic interference protection
Switching Voltage	Max Volts AC/DC	50
Switching Current	Max Amps	2.0
Carry Current	Max Amps	0.8
Switching Capacity	Max W/VA	100
Insulation Resistance	Max MOhms	100
Contact Resistance	Max mOhm's	120
Operating Temperature	Celsius	- 40° to 85°
Case Material		Aluminium
Case Colour		White

Applications Include	Options
<ul style="list-style-type: none"> <li>Alarm Systems.</li> <li>Appliance switching.</li> <li>Production Automation.</li> <li>Safety Door Guards.</li> </ul>	<ul style="list-style-type: none"> <li>Keyed alike type available.</li> <li>Spare key blanks available.</li> <li>Bare Aluminium housing available.</li> <li>Other colours available upon request.</li> </ul>

**Did you know we also sell?**

						
Float Switches	Pressure Switches	Magnets	Proximity Switches	Reed Switches	Reed Relays	Solid State Relays

Rev. No.	Revision Note	Date	Signature
1	Datasheet	16-03-15	ML



As part of the company policy of continued product improvement, specifications may change without notice. Our sales office will be pleased to help you with the latest information on this product range and the details of our full design and manufacturing service. All products are supplied to our standard conditions of sale unless otherwise agreed in writing.

ISO 9001:2008  
 Certificate No. FM21080

Phone : +44 (0)1255 862236      www.comus-intl.com      Fax: +44 (0)1255 862014

©2015 Copyright Comus Europe Ltd, Unit 7, Rice Bridge Industrial Estate, Thorpe - Le - Soken, Essex, CO16 0HL, ENGLAND.  
 USA: Comus International: +1 973 777 6900, Belgium: Comus Belgium BVBA: +32 (0)12 390400