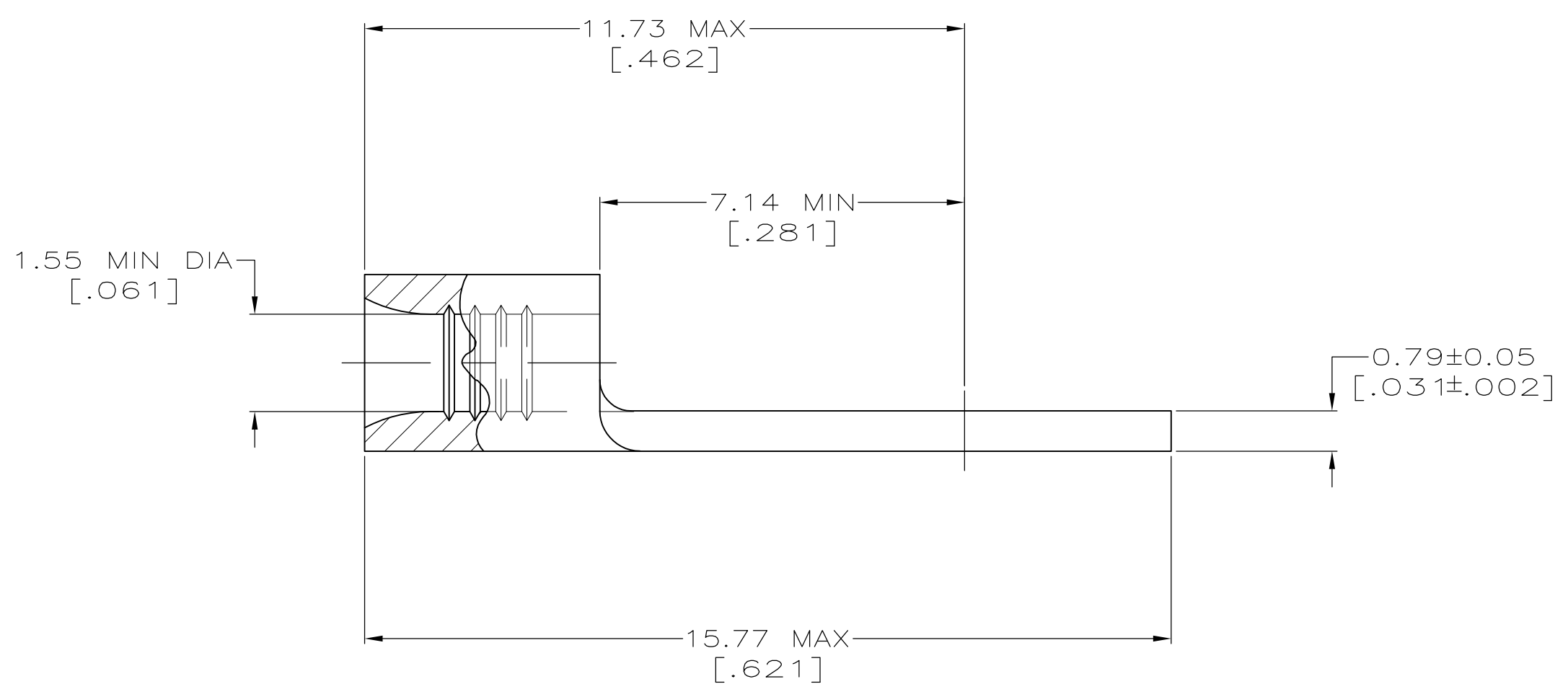
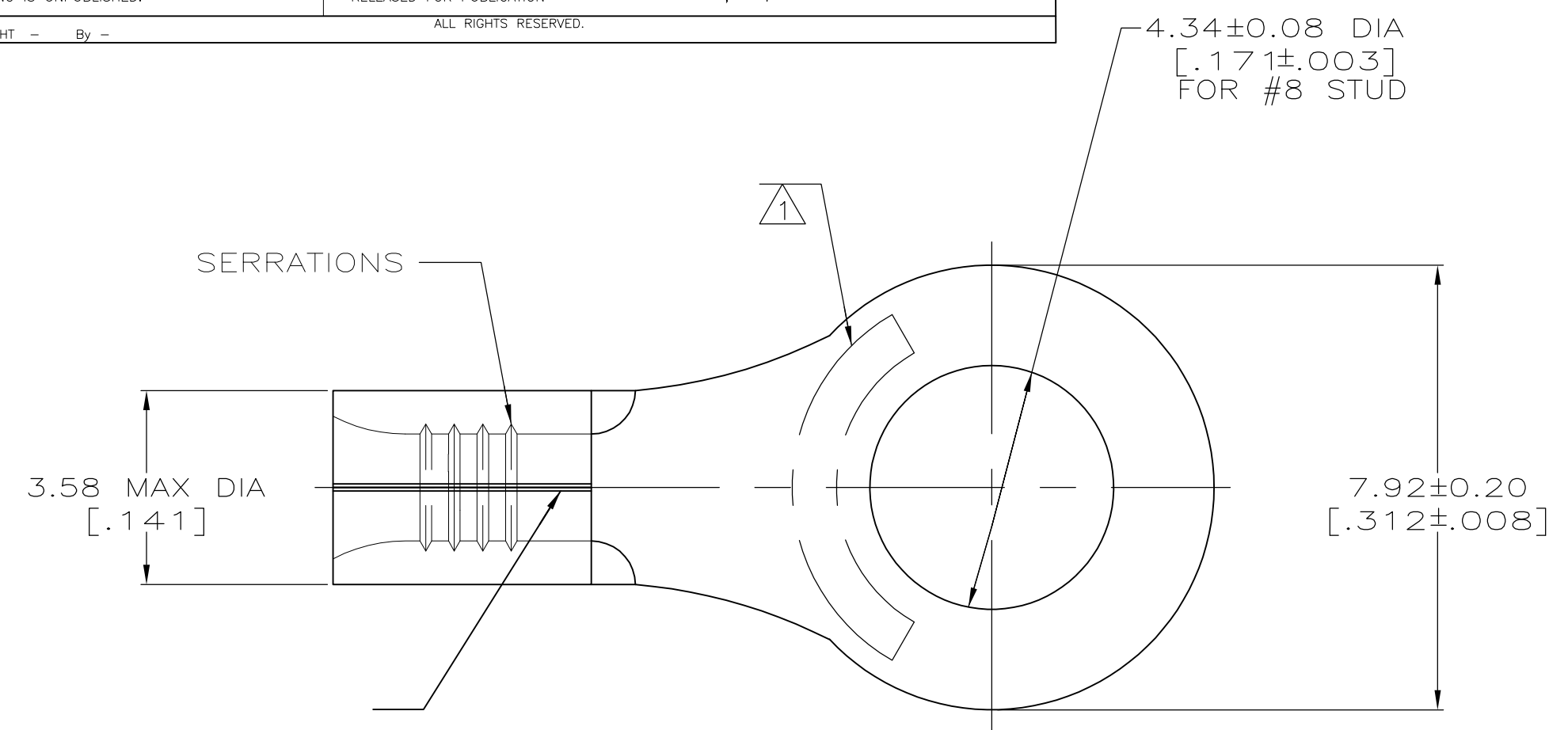


**METRIC**  
 DIMENSIONS LISTED IN mm [ INCHES ]

<b>AMP</b> WIRE RANGE	E13288 Listed
22-16 AWG SOLID OR STRANDED	22-16 AWG SOLID OR STRANDED
LR7189 Certified	MILITARY P/N AND CLASS
22-16 AWG SOLID OR STRANDED	NOT APPLICABLE

- ① STAMP AMP 22-18\* APPROX AS SHOWN  
22-16 TERMINALS ARE STAMPED 22-18 IN  
ACCORDANCE WITH MILITARY SPECIFICATION  
MIL-T-7928; COMMERCIAL WIRE RANGE IS 22-16
- ② 0.00254 [.000100] MIN TIN PER  
ASTM B-545.
- ③ CLEANED, UNPLATED



**AMP INCORPORATED**  
**CUSTOMER SERVICE SYSTEMS**

FOR ADDITIONAL  
 PRODUCT INFORMATION OR  
 COPIES OF DRAWINGS  
 AND TECHNICAL DOCUMENTS

FOR APPLICATION  
 TOOLING INFORMATION

FOR ORDER ENTRY

PRODUCT INFORMATION CENTER  
 1-800-522-6752

TOOLING ASSISTANCE CENTER  
 1-800-722-1111

1-800-526-5142

MAX RECOMMENDED OPERATING  
 TEMPERATURE:  
 170° C MAX

VOLTAGE RATING:  
 NOT APPLICABLE

WIRE CROSS SECTIONAL AREA RANGE:  
 0.26-1.65mm<sup>2</sup> [509-3,260] CIR MILS  
 SOLID OR STRANDED

THIS DRAWING IS A CONTROLLED DOCUMENT FOR  
 AMP INCORPORATED. IT IS SUBJECT TO CHANGE  
 AND THE CONTROLLING ENGINEERING ORGANIZATION  
 SHOULD BE CONTACTED FOR THE LATEST REVISION.

③	-	LOOSE PIECE	34111-1
②	100	LOOSE PIECE, BOX	8-34111-1
	5000	ON TAPE	2-34111-3
	---	LOOSE PIECE	34111
FINISH	QUANTITY	PACKAGING TYPE	PART NO

THIS DRAWING IS A CONTROLLED DOCUMENT.		DWN	3-10-93	TE Connectivity
		CHK	3-10-93	
		APVD	3-10-93	
		NAME	DE MILLER	
DIMENSIONS: mm[INCHES]	TOLERANCES UNLESS OTHERWISE SPECIFIED:	PRODUCT SPEC		TERMINAL, RING TONGUE, SOLISTRAND
	0 PLC ± - 1 PLC ± - 2 PLC ± - 3 PLC ± - 4 PLC ± - ANGLES ± ± -	APPLICATION SPEC		SIZE
MATERIAL	FINISH	WEIGHT		CAGE CODE
COPPER-RED ANNEALED	SEE TABLE	-	A2	00779
CUSTOMER DRAWING			DRAWING NO	RESTRICTED TO
			G-34111	-
			SCALE 10:1	SHEET 1 OF 1
			REV	C1

### Ring Tongue Terminals

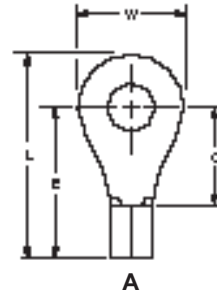
**Wire Size Range**

AWG 26 to 16,  
CMA 202 to 3,260  
[0.1 to 1.65 mm<sup>2</sup>]

**Material**

**Terminal Body** — Copper per  
ASTM B-152

**Plating** — Tin per MIL-T-10727



Wire Size Circular Mills [mm <sup>2</sup> ]	Stud Size	Style	Dimensions				Material Thickness Max.	Wire Barrel I.D. Min.		Part Numbers		
			L Max.	E Max.	C Min.	W		Solistrand	Budget	Solistrand	Budget	
26-22 202-810 [0.1-0.41]	0	A	.329 8.36	.256 6.50	.121 3.07	.140 3.56	.020 0.51	—	.035 0.89	—	31423	
		A	.329 8.36	.256 6.50	.121 3.07	.140 3.56	.020 0.51	—	.035 0.89	—	31425 2-31425-2	
	2 M2	A	.450 11.43	.346 8.79	.211 5.36	.203 5.16	.020 0.51	—	.035 0.89	—	33695	
		A	.419 10.64	.346 8.79	.211 5.36	.140 3.56	.020 0.51	.031 0.79	.035 0.89	50334*	322771	
	4	A	.450 11.43	.346 8.79	.211 5.36	.203 5.16	.020 0.51	—	.035 0.89	—	31428	
		A	.450 11.43	.346 8.79	.211 5.36	.203 5.16	.020 0.51	—	.035 0.89	—	31430	
	6 M3.5	A	.544 13.82	.416 10.57	.281 7.14	.250 6.35	.020 0.51	.031 0.79	.035 0.89	331401 1-331401-1	32858	
		A	.544 13.82	.416 10.57	.281 7.14	.250 6.35	.020 0.51	—	.035 0.89	—	32859	
	8	A	.544 13.82	.416 10.57	.281 7.14	.250 6.35	.020 0.51	—	.035 0.89	—	32860	
	22-16 509-3,260 [0.26-1.65]	1	A	.449 11.40	.337 8.56	.156 3.96	.218 5.54	.033 0.84	—	.065 1.65	—	31087
			A	.449 11.40	.337 8.56	.156 3.96	.218 5.54	.033 0.84	.061 1.55	.065 1.65	34103 2-34103-1	31088
		2 M2	A	.446 11.33	.353 8.97	.172 4.37	.182 4.62	.033 0.84	.061 1.55	.065 1.65	322927	320677
A			.449 11.40	.337 8.56	.156 3.96	.218 5.54	.033 0.84	.061 1.55	.065 1.65	34104* 2-34104-6	31089 3-31089-6	
4		A	.446 11.33	.353 8.97	.172 4.37	.182 4.62	.033 0.84	.061 1.55	.065 1.65	36467*	36189 2-326850-1	
		A	.621 15.77	.493 12.52	.312 7.92	.250 6.35	.033 0.84	.061 1.55	.065 1.65	323096 2-323096-2	322418	
5 M3		A	.449 11.40	.337 8.56	.156 3.96	.218 5.54	.033 0.84	—	.065 1.65	—	31090 2-31090-1	
		A	.449 11.40	.337 8.56	.156 3.96	.218 5.54	.033 0.84	.061 1.55	.065 1.65	34105* 2-34105-2	31091	
6 M3.5		A	.528 13.41	.416 10.57	.156 3.96	.218 5.54	.033 0.84	.061 1.55	.065 1.65	34194	31101	
		A	.574 14.58	.436 11.07	.250 6.35	.281 7.14	.033 0.84	.061 1.55	.065 1.65	34107* 2-34107-2	31264	
8 M4		A	.621 15.77	.462 11.73	.281 7.14	.312 7.92	.033 0.84	.061 1.55	.065 1.65	34110* 2-34110-3	30691* 1-30691-1	
		A	.653 16.59	.478 12.14	.297 7.54	.344 8.74	.033 0.84	—	.065 1.65	—	32822	
8 M4	A	.621 15.77	.462 11.73	.281 7.14	.312 7.92	.033 0.84	.061 1.55	.065 1.65	34111* 2-34111-3	30692		
	A	.574 14.58	.436 11.07	.250 6.35	.281 7.14	.033 0.84	.061 1.55	.065 1.65	34108* 2-34108-2	31265*		
8 M4	A	.653 16.59	.478 12.14	.297 7.54	.344 8.74	.033 0.84	.061 1.55	.065 1.65	323086	32823		

**Note:** Part numbers are shown as loose piece over tape mounted product.  
\*Part numbers are available in small quantity packages.