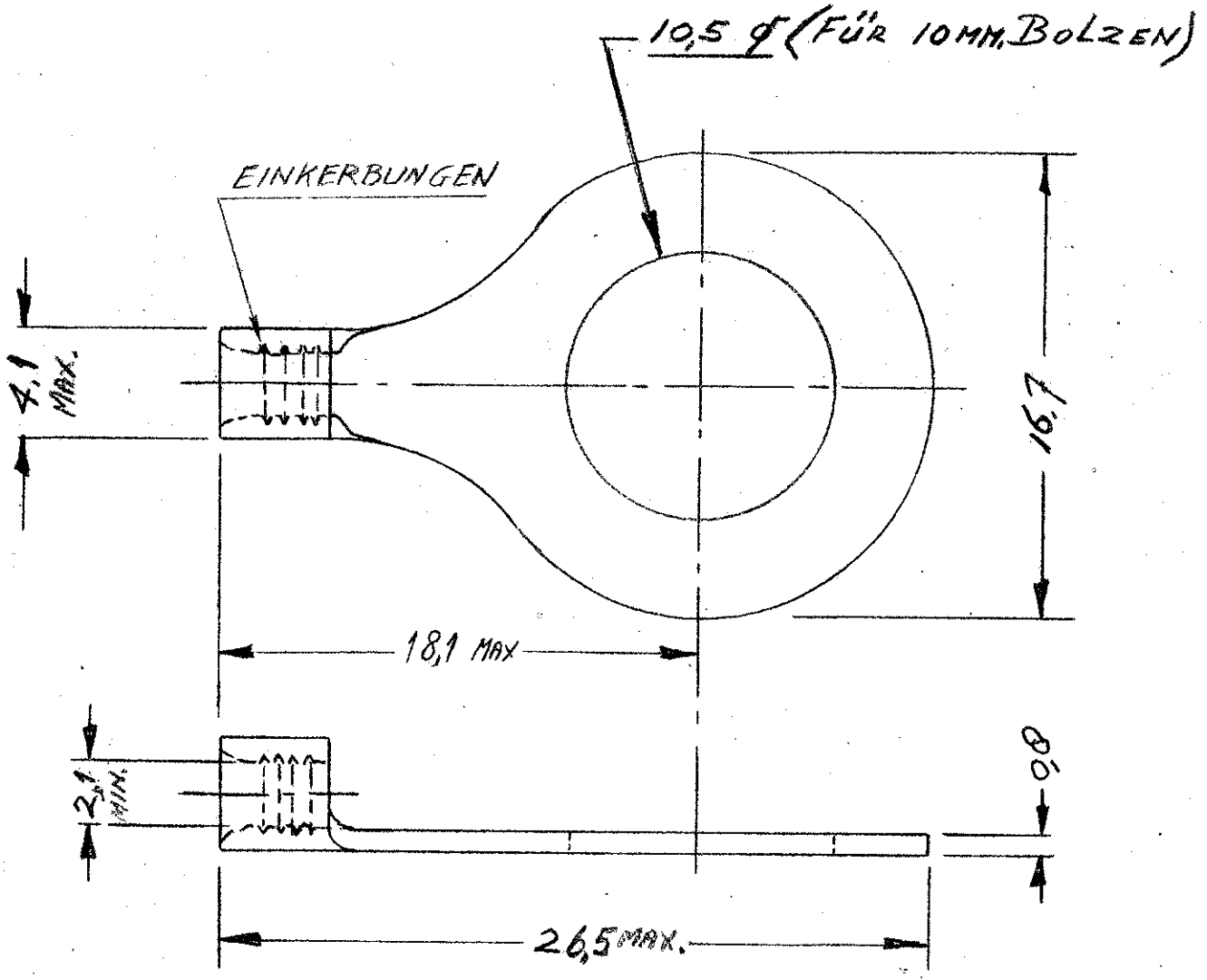


160140-D

SED ON



CUSTOMER COPY  
FOR REFERENCE ONLY

MATERIAL: *KUPFER*  
 HEAT TREATMENT: *N*  
 FINISH: *VERZINNT*

AMP-HOLLAND N.V. 's-HERTOGENBOSCH, HOLLAND.	
<i>KABELSCHUH</i> <i>SOLISTRAND</i>	
CLASS <i>RINGZUNGE</i>	
TYPE <i>B5</i>	
SIZE <i>1,0 - 2,6 MM<sup>2</sup></i>	
TOLERANCES-ALL DIMENSIONS ± EXCEPT AS NOTED	

A	REVISED	DATE	BY	N.D.C.
No.	ALTERATION			
DR. <i>W. BOTS</i>	<i>7-20/59</i>		<i>TR.</i>	
CK.			<i>APP.</i>	

SCALE: *A-1* *G-160140-D*

## Ring Tongue Terminals

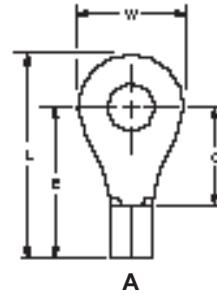
### Wire Size Range

AWG 26 to 16,  
CMA 202 to 3,260  
[0.1 to 1.65 mm<sup>2</sup>]

### Material

**Terminal Body** — Copper per  
ASTM B-152

**Plating** — Tin per MIL-T-10727



Wire Size Circular Mills [mm <sup>2</sup> ]	Stud Size	Style	Dimensions				Material Thickness Max.	Wire Barrel I.D. Min.		Part Numbers		
			L Max.	E Max.	C Min.	W		Solistrand	Budget	Solistrand	Budget	
26-22 202-810 [0.1-0.41]	0	A	.329 8.36	.256 6.50	.121 3.07	.140 3.56	.020 0.51	—	.035 0.89	—	31423	
		A	.329 8.36	.256 6.50	.121 3.07	.140 3.56	.020 0.51	—	.035 0.89	—	31425 2-31425-2	
	2 M2	A	.450 11.43	.346 8.79	.211 5.36	.203 5.16	.020 0.51	—	.035 0.89	—	33695	
		A	.419 10.64	.346 8.79	.211 5.36	.140 3.56	.020 0.51	.031 0.79	.035 0.89	50334*	322771	
	4	A	.450 11.43	.346 8.79	.211 5.36	.203 5.16	.020 0.51	—	.035 0.89	—	31428	
		A	.450 11.43	.346 8.79	.211 5.36	.203 5.16	.020 0.51	—	.035 0.89	—	31430	
	6 M3.5	A	.544 13.82	.416 10.57	.281 7.14	.250 6.35	.020 0.51	.031 0.79	.035 0.89	331401 1-331401-1	32858	
		A	.544 13.82	.416 10.57	.281 7.14	.250 6.35	.020 0.51	—	.035 0.89	—	32859	
	8	A	.544 13.82	.416 10.57	.281 7.14	.250 6.35	.020 0.51	—	.035 0.89	—	32860	
		A	.449 11.40	.337 8.56	.156 3.96	.218 5.54	.033 0.84	—	.065 1.65	—	31087	
	22-16 509-3,260 [0.26-1.65]	1	A	.449 11.40	.337 8.56	.156 3.96	.218 5.54	.033 0.84	—	.065 1.65	—	31087
			A	.449 11.40	.337 8.56	.156 3.96	.218 5.54	.033 0.84	.061 1.55	.065 1.65	34103 2-34103-1	31088
2 M2		A	.446 11.33	.353 8.97	.172 4.37	.182 4.62	.033 0.84	.061 1.55	.065 1.65	322927	320677	
		A	.449 11.40	.337 8.56	.156 3.96	.218 5.54	.033 0.84	.061 1.55	.065 1.65	34104* 2-34104-6	31089 3-31089-6	
4		A	.446 11.33	.353 8.97	.172 4.37	.182 4.62	.033 0.84	.061 1.55	.065 1.65	36467*	36189 2-326850-1	
		A	.621 15.77	.493 12.52	.312 7.92	.250 6.35	.033 0.84	.061 1.55	.065 1.65	323096 2-323096-2	322418	
5 M3		A	.449 11.40	.337 8.56	.156 3.96	.218 5.54	.033 0.84	—	.065 1.65	—	31090 2-31090-1	
		A	.449 11.40	.337 8.56	.156 3.96	.218 5.54	.033 0.84	.061 1.55	.065 1.65	34105* 2-34105-2	31091	
6 M3.5		A	.528 13.41	.416 10.57	.281 7.14	.250 6.35	.033 0.84	.061 1.55	.065 1.65	34194	31101	
		A	.574 14.58	.436 11.07	.250 6.35	.281 7.14	.033 0.84	.061 1.55	.065 1.65	34107* 2-34107-2	31264	
8 M4		A	.621 15.77	.462 11.73	.281 7.14	.312 7.92	.033 0.84	.061 1.55	.065 1.65	34110* 2-34110-3	30691* 1-30691-1	
		A	.653 16.59	.478 12.14	.297 7.54	.344 8.74	.033 0.84	—	.065 1.65	—	32822	
8 M4	A	.621 15.77	.462 11.73	.281 7.14	.312 7.92	.033 0.84	.061 1.55	.065 1.65	34111* 2-34111-3	30692		
	A	.574 14.58	.436 11.07	.250 6.35	.281 7.14	.033 0.84	.061 1.55	.065 1.65	34108* 2-34108-2	31265*		
8 M4	A	.653 16.59	.478 12.14	.297 7.54	.344 8.74	.033 0.84	.061 1.55	.065 1.65	323086	32823		

**Note:** Part numbers are shown as loose piece over tape mounted product.

\*Part numbers are available in small quantity packages.