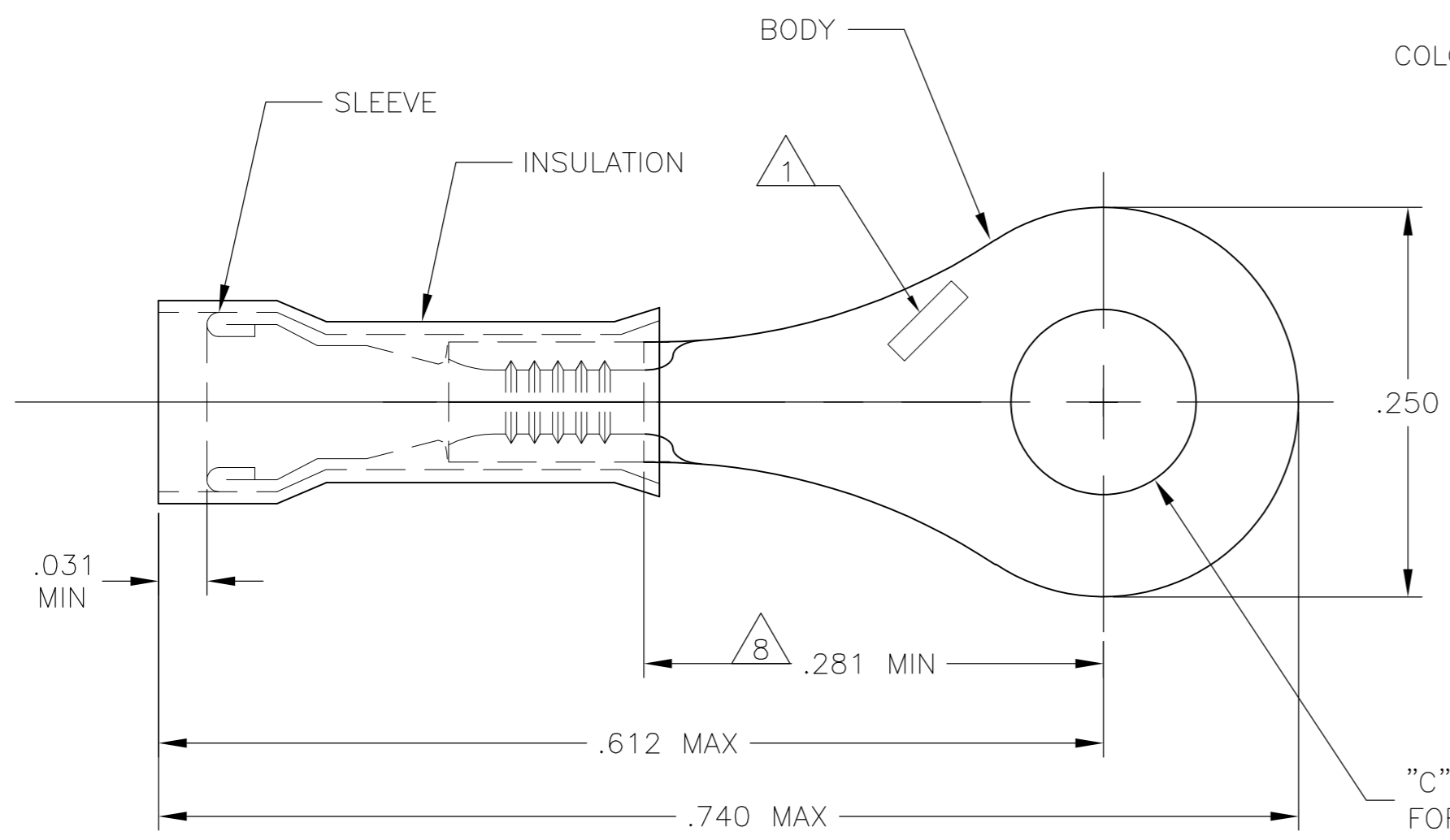


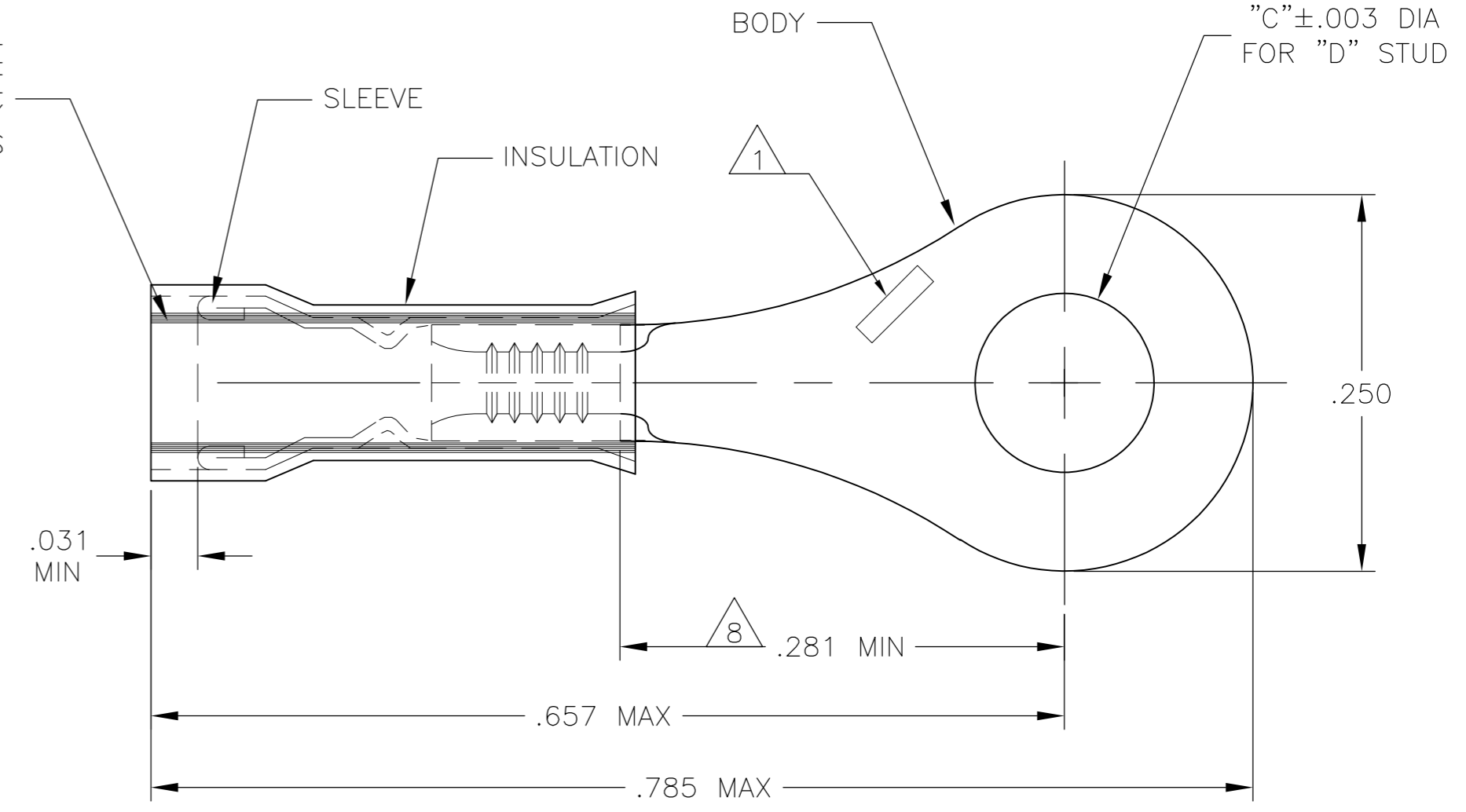
THIS DRAWING IS UNPUBLISHED. RELEASED FOR PUBLICATION
 © COPYRIGHT - By - ALL RIGHTS RESERVED.

LOC		DIST		REVISIONS			
P	LTR	DESCRIPTION		DATE	DWN	APVD	
G	14	W3	REVISED PER ECO-12-012931	16JUL12	KH	DR	



STYLE A

COLOR CODE STRIPE
 SEE TABLE
 3 EQUALLY
 SPACED STRIPES



STYLE B
INSULATION RESTRICTING

- 1 STAMP "AMP", APPROX AS SHOWN
- 2 WIRE INSULATION DIA: SEE TABLE
- 3 TONGUE MATERIAL THK: .018±.002
- 4 BODY & SLEEVE: CU PER ASTM B152
INSULATION: NYLON PER ASTM D4066, COLOR - YELLOW
- 5 BODY: TIN PLATE .000100 MIN EXT THK
PER ASTM B545
- 6 SLEEVE: TIN PLATE .000100 MIN THK PER
ASTM B545
- 7 SLEEVE: NICKEL PLATE PER QQ-N-290
- 8 APPLIES FROM EDGE OF METAL WIRE BARREL
TO CENTER OF STUD HOLE.
- 9 MEETS MS25036-145, CLASS 2
- 10 300 VOLTS MAX

QTY	PACKAGE TYPE	STUD SIZE "D"	DIM "C"	WIRE INSUL. DIA	WIRE SIZE	COLOR CODE	STYLE	BODY FINISH	SLEEVE FINISH	MATERIAL	PART NO
100	LOOSE PIECE, BOX	#6	.145	.050-.082	26-22	--	A				8-326875-1
OBSOLETE	100 LOOSE PIECE, SM. BOX	#6	.145	.050-.082	26-22	--	A		6		3-326875-0
OBSOLETE	1000 LOOSE PIECE, LG. BOX	#6	.145	.050-.082	26-22	--	A				2-326875-9
OBSOLETE	5000 2-326875-4 ON TAPE, REEL	#6	.145	.031-.055	24	BLUE	B				2-326875-8
OBSOLETE	5000 2-326875-3 ON TAPE, REEL	#10	.197	.026-.055	26	BLACK	B				2-326875-7
OBSOLETE	5000 2-326875-2 ON TAPE, REEL	#6	.145	.026-.055	26	BLACK	B				2-326875-6
500	LOOSE PIECE	#10	.197	.031-.055	24	BLUE	B	5	7	4	2-326875-5
500	LOOSE PIECE	#6	.145	.031-.055	24	BLUE	B				2-326875-4
OBSOLETE	500 LOOSE PIECE	#10	.197	.026-.055	26	BLACK	B				2-326875-3
OBSOLETE	500 LOOSE PIECE	#6	.145	.026-.055	26	BLACK	B				2-326875-2
4000	326875-1 ON TAPE, REEL	#6	.145	.050-.082	26-22	--	A				2-326875-1
500	LOOSE PIECE	#6	.145	.050-.082	26-22	--	A		6		326875

THIS DRAWING IS A CONTROLLED DOCUMENT.

DWN	JR RUTH	14JAN10
CHK	TOM MICHIELUTTI	14JAN10
APVD	MIKE PERCHERKE	14JAN10
PRODUCT SPEC		
APPLICATION SPEC		
WEIGHT		
CUSTOMER DRAWING		

STE TE Connectivity

NAME: JR RUTH
 PRODUCT SPEC: MIKE PERCHERKE
 APPLICATION SPEC: -
 WEIGHT: -

TERMINAL, NYLON - PIDG - RING TONGUE
 WIRE SIZE: 26-22

SIZE: A2 CAGE CODE: 00779 DRAWING NO: C-326875 RESTRICTED TO: -
 SCALE: 10:1 SHEET: 1 of 1 REV: W3