

THIS DRAWING IS UNPUBLISHED. RELEASED FOR PUBLICATION  
 © COPYRIGHT - By - ALL RIGHTS RESERVED.

LOC		DIST		REVISIONS			
P	LTR	DESCRIPTION		DATE	DWN	APVD	
	N3	REVISED PER ECO-11-004820		11MAR11	RK	HMR	

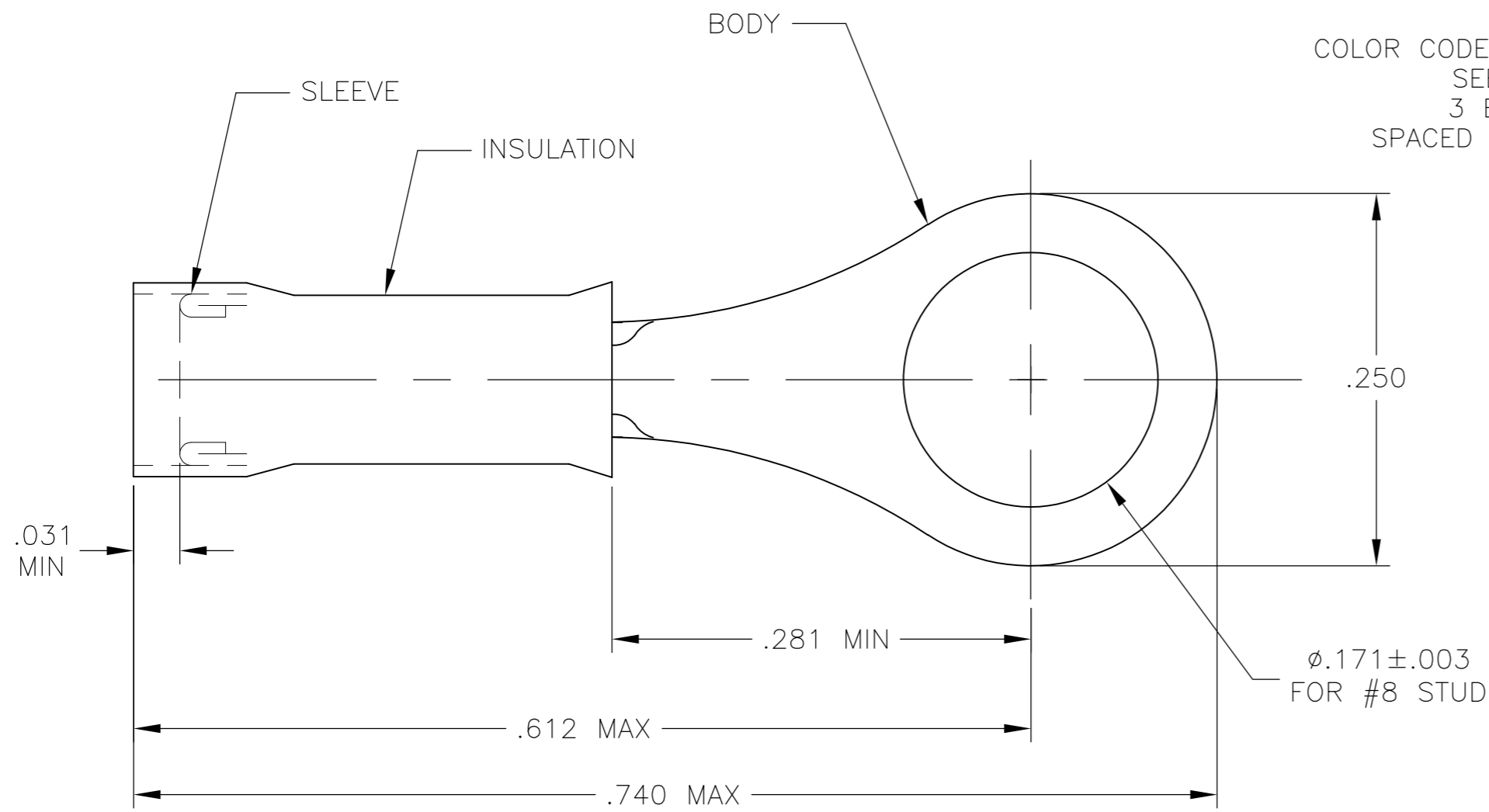


FIGURE 1

FOR .050 TO .082 WIRE INSULATION DIA

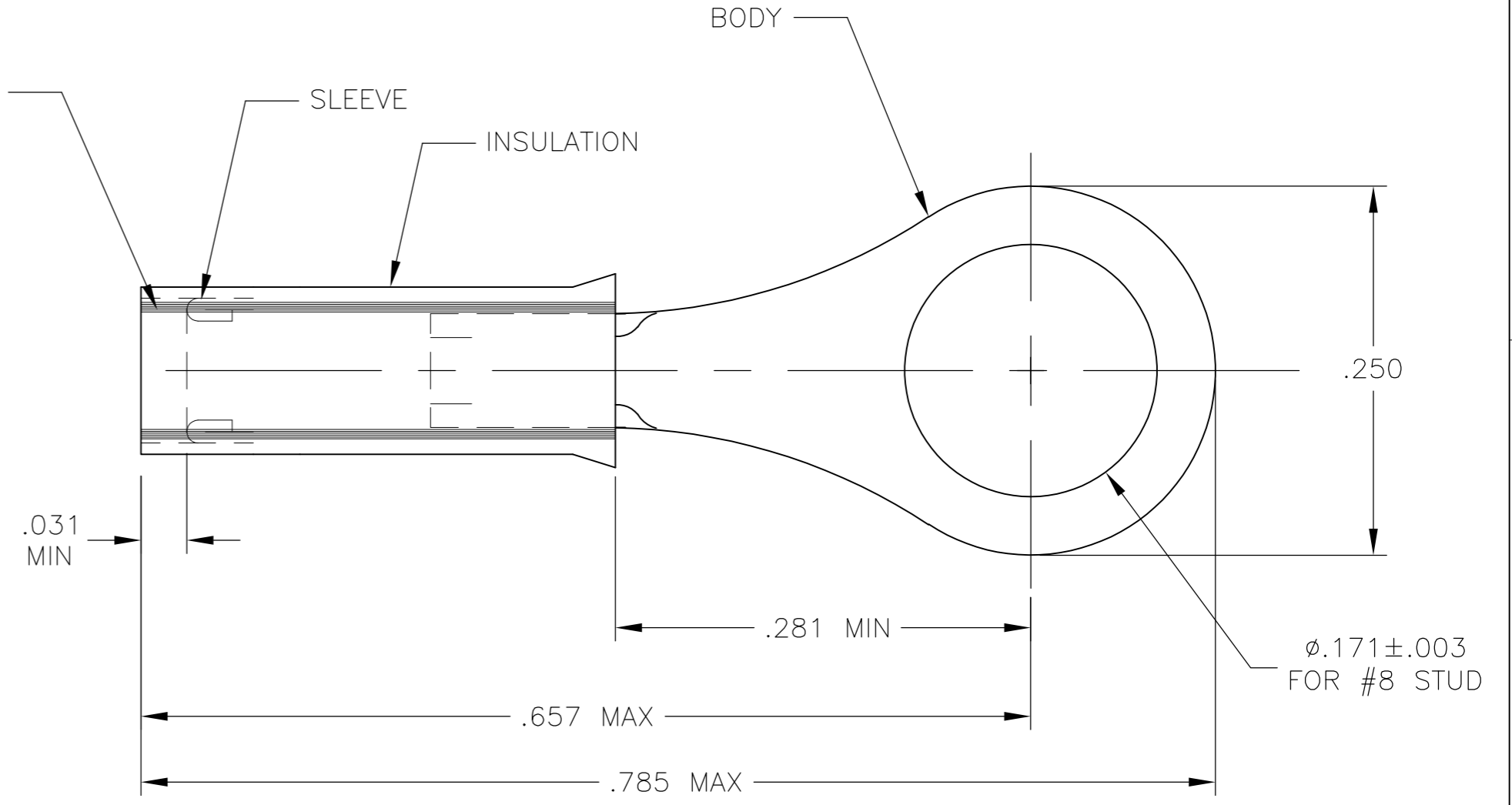


FIGURE 2  
INSULATION RESTRICTING

FOR X/Y WIRE INSULATION DIA

1 TONGUE MATERIAL THK IS .018±.002

2 MEETS MS25036-146, CLASS 2

OBSOLETE

QTY	DESCRIPTION	MATERIAL & FINISH	PART NO
1	WIRE TERMINAL INSULATION RESTRICTING	BODY: COPPER (ASTM-B152) TIN PL (ASTM-B545) SLEEVE: COPPER (ASTM-B152) NICKEL PL. (QQ-N-290) INSULATION: NYLON COLOR: YELLOW (ASTM-D4066) TYPE 1	2-323916-3
<del>1</del>			<del>2-323916-2</del>
100	LOOSE PC, BOX		8-323916-1
4000	323916 ON TAPE	BODY & SLEEVE: COPPER (ASTM-B152) TIN PL (ASTM-B545) INSULATION: NYLON COLOR: YELLOW (ASTM-D4066) TYPE 1	2-323916-1
1	WIRE TERMINAL		323916

PART NO.	STYLE	WIRE SIZE	STRIPE COLOR	"X/Y"	PART NO. ON TAPE
8-323916-1	FIGURE 1	#26-#22	NONE	-	
2-323916-3	FIGURE 2	#24	BLUE	.031/.055	
<del>2-323916-2</del>	FIGURE 2	#26	BLACK	.026/.055	
323916	FIGURE 1	#26-#22	NONE	-	2-323916-1

OBSOLETE

THIS DRAWING IS A CONTROLLED DOCUMENT.

DWN: JR RUTH 02OCT09  
 CHK: TOM MICHIELUTTI 02OCT09  
 APVD: MIKE PERCHERKE 02OCT09

TE Connectivity

NAME: TERMINAL, NYLON - PIDG - RING TONGUE  
 WIRE SIZE: 26-22

SIZE: A2 CAGE CODE: 00779 DRAWING NO: 323916 RESTRICTED TO: -

MATERIAL: SEE TABLE FINISH: SEE TABLE WEIGHT: - SCALE: 10:1 SHEET: 1 of 1 REV: N3

CUSTOMER DRAWING