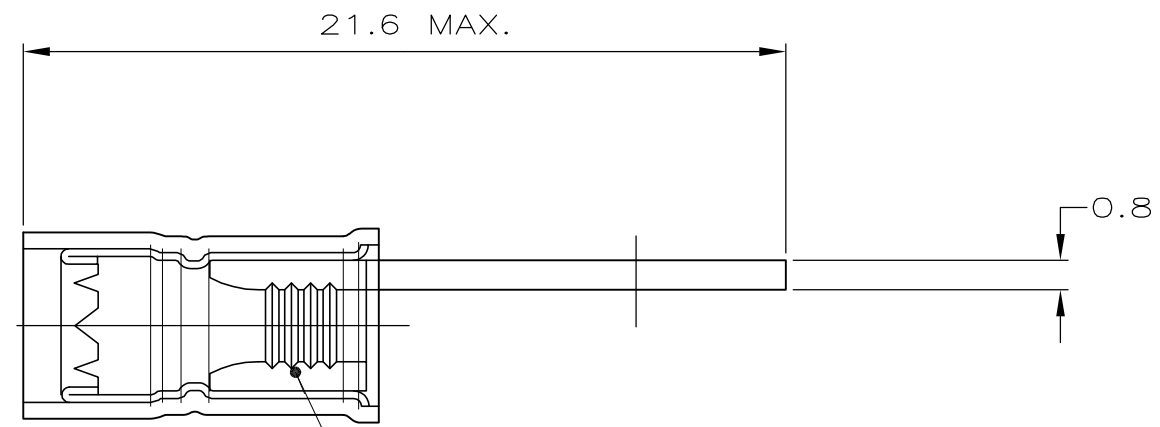
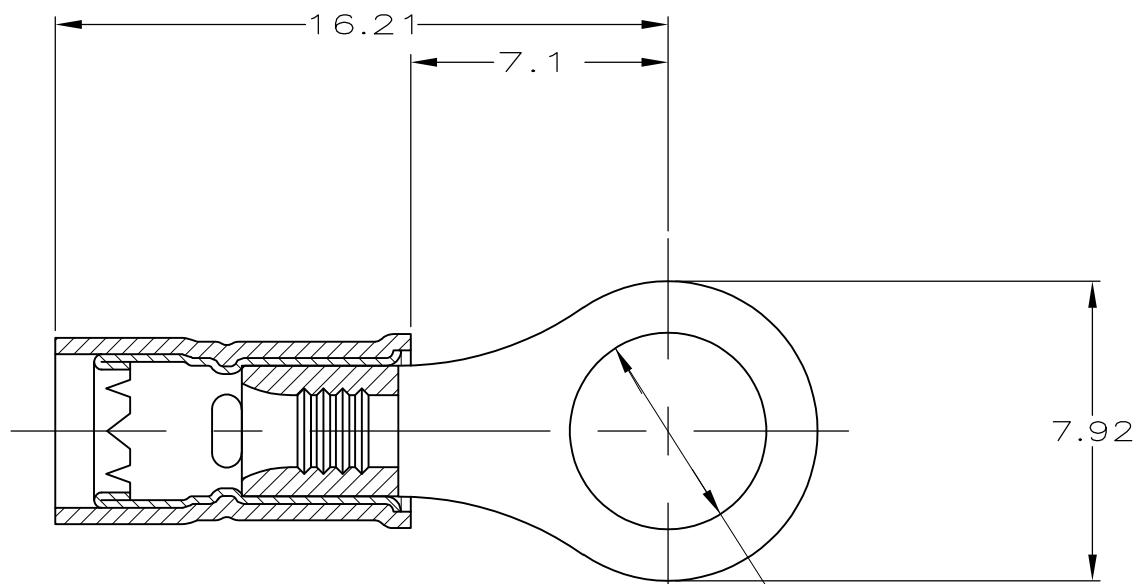


THIS DRAWING IS UNPUBLISHED.      RELEASED FOR PUBLICATION      - - -  
 © COPYRIGHT - By -      ALL RIGHTS RESERVED.

LOC	DIST	REVISIONS			
P	LTR	DESCRIPTION	DATE	DWN	APVD
F	-				
	P	REVISED PER ECO-11-005027	14MAR11	RK	HMR


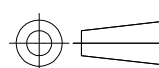


MANCHON ROUGE



TROU POUR BORNE M5 (#10)

DESSIN CLIENT UNIQUEMENT  
POUR REFERENCES

THIS DRAWING IS A CONTROLLED DOCUMENT.		DWN G. ROBERT	02/02/90	 TE Connectivity	
DIMENSIONS: mm [INCHES]		CHK PAR	APVD -		
		TOLERANCES UNLESS OTHERWISE SPECIFIED: 0 PLC ± - 1 PLC ± 0,3 2 PLC ± - 3 PLC ± - 4 PLC ± - ANGLES ± 5°		PRODUCT SPEC -	
MATERIAL CUIVRE		FINISH ETAIN		APPLICATION SPEC -	
		WEIGHT -		SIZE A3	CAGE CODE 00779
		CUSTOMER DRAWING		DRAWING NO C-130005	RESTRICTED TO -
		SCALE -		SHEET 1 OF 1	REV P