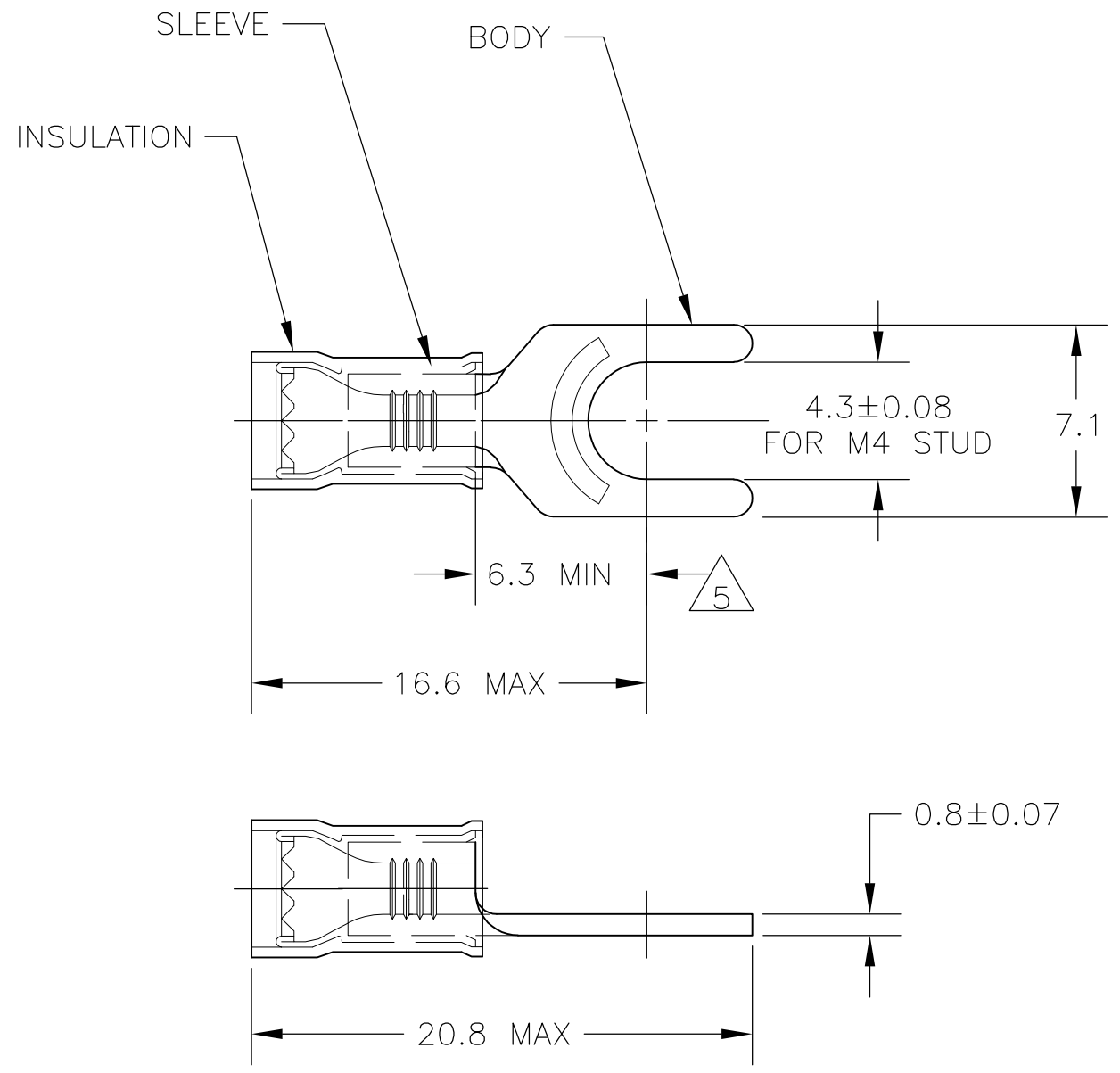


THIS DRAWING IS UNPUBLISHED. RELEASED FOR PUBLICATION
 © COPYRIGHT - By - ALL RIGHTS RESERVED.

LOC	DIST	REVISIONS					
		P	LTR	DESCRIPTION	DATE	DWN	APVD
G	14		F2	REVISED PER ECO-11-004917	11MAR11	RK	HMR



AMP WIRE RANGE	Listed
22-16 AWG SOLID OR STRANDED	22-16 AWG SOLID OR STRANDED

- 1 STAMP "AMP 22-16*", APPROX AS SHOWN
- 2 WIRE INSULATION DIA: 2.7mm-3.6mm
- 3 BODY & SLEEVE: TIN PLATE PER ASTM B545,
- 4 BODY & SLEEVE- CU PER ASTM B152
INSULATION - NYLON, COLOR - RED
- 5 APPLIES FROM EDGE OF METAL WIRE BARREL TO CENTER OF STUD HOLE.

ON TAPE, REEL	2-130517-1
LOOSE PIECE	130517
PACKAGE TYPE	PART NO

AMP INCORPORATED CUSTOMER SERVICE SYSTEMS	
FOR ADDITIONAL PRODUCT INFORMATION OR COPIES OF DRAWINGS AND TECHNICAL DOCUMENTS	PRODUCT INFORMATION CENTER 1-800-522-6752
FOR APPLICATION TOOLING INFORMATION	TOOLING ASSISTANCE CENTER 1-800-722-1111
FOR ORDER ENTRY	1-800-526-5142

MAX RECOMMENDED OPERATING TEMPERATURE: 105°C MAX
VOLTAGE RATING: 300 V MAX
CIRCULAR MIL AREA: 0.26-1.65mm² [509-3,260] SOLID OR STRANDED

THIS DRAWING IS A CONTROLLED DOCUMENT.	
DIMENSIONS: mm INCHES	TOLERANCES UNLESS OTHERWISE SPECIFIED:
	0 PLC ± -
	1 PLC ± 0.2
	2 PLC ± -
	3 PLC ± -
	4 PLC ± -
	ANGLES ± -
MATERIAL	FINISH
4	3

DWN	JR RUTH	08NOV05
CHK	T MICHIELUTTI	08NOV05
APVD	T MICHIELUTTI	08NOV05
PRODUCT SPEC	-	
APPLICATION SPEC	-	
WEIGHT	-	

TE Connectivity			
NAME TERMINAL, SPADE TONGUE, P.I.D.G. WIRE SIZE: 22-16 AWG			
SIZE	CAGE CODE	DRAWING NO	RESTRICTED TO
A3	00779	C-130517	-
CUSTOMER DRAWING		SCALE	SHEET
		4:1	1 OF 1
		REV	F2