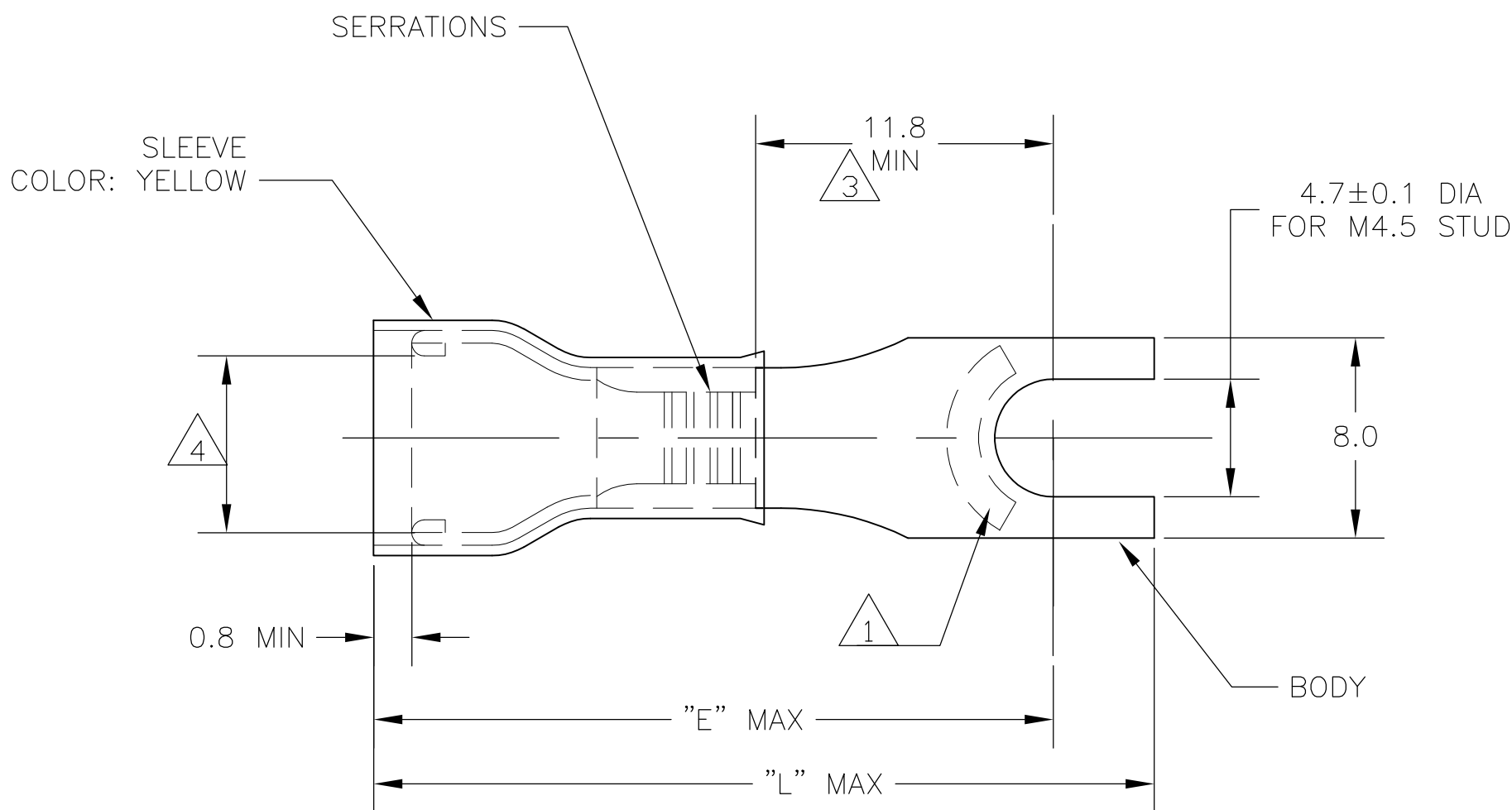


THIS DRAWING IS UNPUBLISHED. RELEASED FOR PUBLICATION  
 © COPYRIGHT BY TYCO ELECTRONICS CORPORATION. ALL RIGHTS RESERVED.

LOC	DIST	REVISIONS					
G	14	P	LTR	DESCRIPTION	DATE	DWN	APVD
			C1	REV PER ECR 07-015095	25JUN07	JR	TM



- 1 STAMP "AMP 12-10\*", LOCATION APPROX AS SHOWN.
- 2 TONGUE THICKNESS IS 1.0±0.05
- 3 APPLIES TO EDGE OF METAL WIRE BARREL TO CENTER OF STUD HOLE.
- 4 WIRE INSULATION DIA RANGE
- 5 BODY - COPPER PER ASTM B-152  
SLEEVE - COPPER PER ASTM B-152  
INSULATION - NYLON
- 6 BODY - TIN PL PER ASTM B-545  
SLEEVE - TIN PL PER ASTM B-545  
INSULATION - COLOR - YELLOW
- 7 105°C MAX OPERATING TEMPERATURE.
- 8 300 VOLT MAX
- 9 2.62-6.64mm<sup>2</sup> [5,180 - 13,100 CMA] SOLID OR STRANDED
- 10 OBSOLETE WITHOUT REPLACEMENT

4.3-7.6	29.2	33.5	500	LOOSE PIECE	10 130496-1
3.8-6.4	26.9	31.2	500	LOOSE PIECE	130496
4	"E"	"L"	QTY	PACKAGE TYPE	PART NO
THIS DRAWING IS A CONTROLLED DOCUMENT.			DWN jr_ruth 12APR07	Tyco Electronics Corporation Harrisburg, PA 17105-3608	
DIMENSIONS: mm INCHES			CHK T MICHIELUTTI 12APR07		
TOLERANCES UNLESS OTHERWISE SPECIFIED:			APVD T MICHIELUTTI 12APR07	NAME	
0 PLC ± - 1 PLC ± 0.2 2 PLC ± - 3 PLC ± - 4 PLC ± - ANGLES ± 5°			PRODUCT SPEC	TERMINAL, SPADE, RECTANGULAR TONGUE, PIDG, WIRE SIZE 12-10	
MATERIAL			APPLICATION SPEC	SIZE	RESTRICTED TO
5			FINISH	6	
CUSTOMER DRAWING				WEIGHT -	SCALE 4:1
				SIZE A3	RESTRICTED TO -
				CAGE CODE 00779	REVISION C1
				DRAWING NO G-130496	SHEET 1 OF 1