

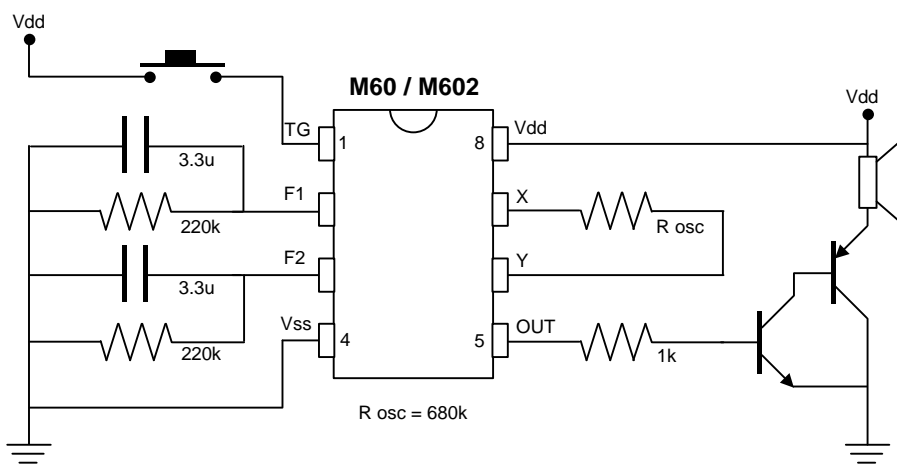
Timers and signal generators

Order code	Manufacturer code	Description
82-2198	n/a	M602 DING-DONG IC (RC)

Timers and signal generators	Page 1 of 2
The enclosed information is believed to be correct, Information may change without notice due to product improvement. Users should ensure that the product is suitable for their use. E. & O. E.	Revision A 20/02/2007

Semiconductors - ICs

Ding Dong Generator IC



Characteristics	Sym.	Min.	Type	Max.	Unit	Remarks
Operating Voltage	V_{DD}	-	3	4.5	V	
Operating Current	I_{OP}	-	0.1	0.5	mA	No Load
Quiescent Current	I_{SB}	-	1	5	uA	
OUT Driving Current	I_O	1	-	-	mA	@ $V_{DS} = 1V$
Oscillator Frequency	F_{OSC}	-	50	-	kHz	External $\pm 30\%$ $R_{OSC}=680KR$
Operating Temperature	Temp.	0	25	60	$^{\circ}C$	