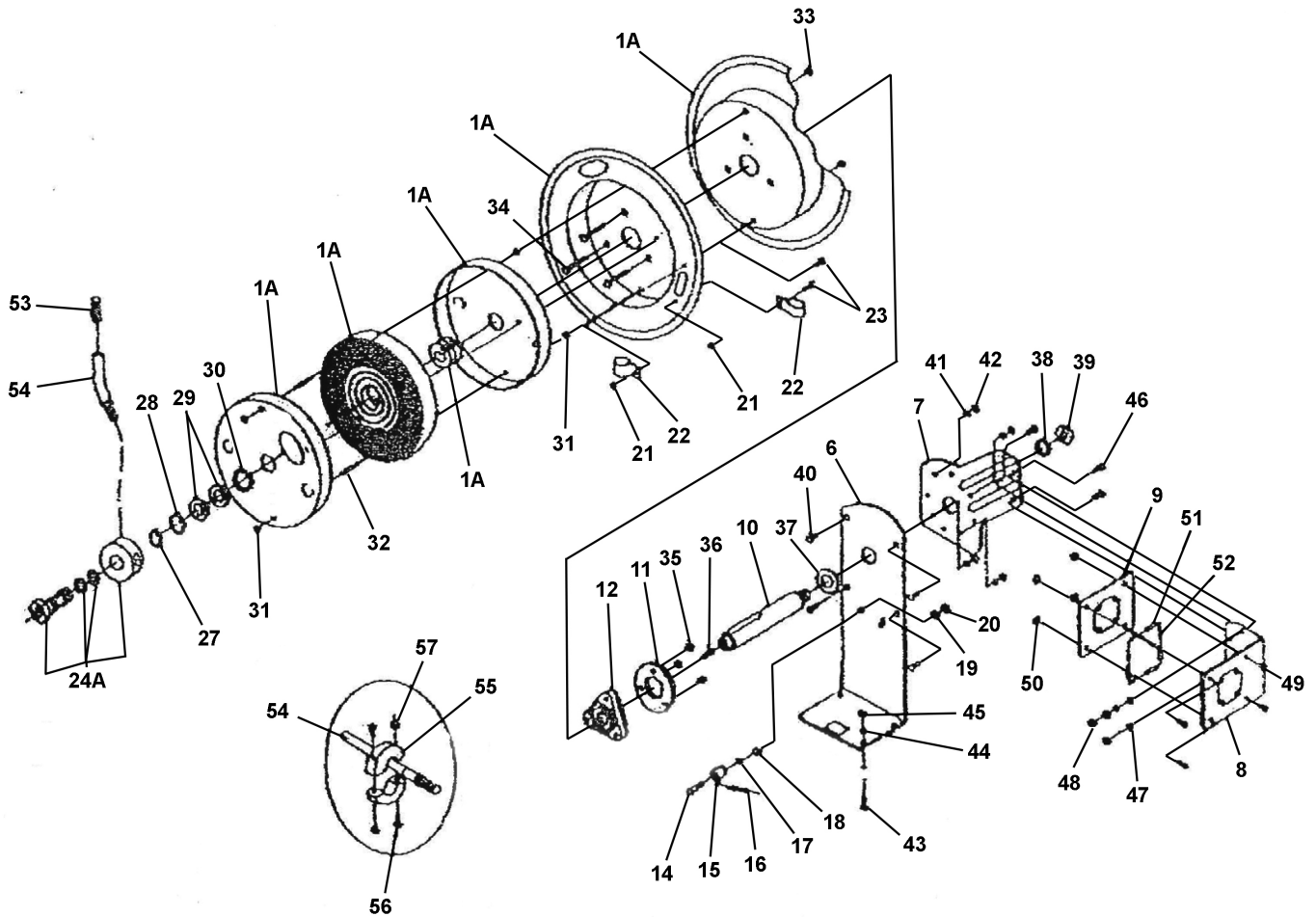




Parts Information:  
Retractable Air Hose Metal Reel 15mtr  
Ø10mm ID Rubber Hose /  
ID High Visibility TPR Hose  
Model No: SA841.V2 & SA841HV.V2



**NOTE:** It is our policy to continually improve products and as such we reserve the right to alter data, specifications and component parts without prior notice. There may be alternative versions of this product, please contact us should you require this information.

**IMPORTANT:** No liability is accepted for incorrect use of product. Spare parts must be fitted by a competent person

**WARRANTY:** Guarantee is 12 months from purchase date, proof of which will be required for any claim.

Sealey Group, Kempson Way, Suffolk Business Park, Bury St Edmunds, Suffolk. IP32 7AR



01284 757500



01284 703534



sales@sealey.co.uk



www.sealey.co.uk



Parts Information:  
**Retractable Air Hose Metal Reel 15mtr**  
**Ø10mm ID Rubber Hose /**  
**ID High Visibility TPR Hose**  
**Model No: SA841.V2 & SA841HV.V2**

Item	Part No.	Description
1A	SA841.V2-01A	DRUM ASSEMBLY
6	SA841.V2-06	ARM
7	SA841.V2-07	PLATE
8	SA841.V2-08	GUIDE ROLLER BRACKET
9	SA841.V2-09	ROLLER PLATE
10	SA841.V2-10	AXLE
11	SA841.V2-11	RING
12	SA841.V2-12	HUB BEARING ASSEMBLY
14	HHB1050S	BOLT M10x50mm
15	SA841.V2-15	CAM, LOCKING
16	SA841.V2-16	SPRING, DOG
17	SA841.V2-17	WASHER, SPACER (13.5x1.6mm)
18	SA841.V2-18	WASHER, SPACER (13.5x6.6mm)
21	SA841.V2-21	SERRATED NUTS, KEPS 5mm
22	SA841.V2-22	CLAMP
24A	SA841.V2-24A	VALVE ASSEMBLY (inc 24-26)
27	SA841.V2-27	RETAINING RING 18.5x1mm
28	SA841.V2-28	RETAINING RING 19x2mm
29	SA841.V2-29	WASHER, SPACER 19.5x1.5mm
30	SA841.V2-30	WASHER, SPACER 25.5x1.5mm
31	SA841.V2-31	NUT, KEPS M5
32	SA841.V2-32	AXLE, THREADED M5x53mm
33	SA841.V2-33	NUT, KEPS M5
34	SA841.V2-34	BOLT M6x38mm
35	SA841.V2-35	NUT, KEPS M6

Item	Part No.	Description
36	SA841.V2-36	SET SCREW M10x30mm
37	SA841.V2-37	WASHER, SPRING 25.5x2.5mm
38	FWM16.S	FLAT WASHER M16 SINGLE
39	SN16.S	STEEL NUT M16 ZINC DIN934 (SINGLE)
40	SA841.V2-40	BOLT M8x18mm
41	SWM8.S	SPRING WASHER M8 ZINC (SINGLE)
42	NLN8.S	NYLOC NUT M8 ZINC DIN 985 (SINGLE)
43	SS1025.S	HEX HEAD SET SCREW M10x25mm SINGLE
44	SWM10.S	SPRING WASHER M10 ZINC (SINGLE)
45	SN10.S	STEEL NUT M10 ZINC DIN934 (SINGLE)
46	SA841.V2-46	BOLT M8x18mm
47	SWM8.S	SPRING WASHER M8 ZINC (SINGLE)
48	NLN8.S	NYLOC NUT M8 ZINC DIN 985 (SINGLE)
49	SA841.V2-49	BOLT M5x9.5mm
50	SA841.V2-50	NUT, KEPS M5
51	SA841.V2-51	ROLLER 18.5x34.5mm
52	SA841.V2-52	AXLE FOR ROLLER 6x50mm
53	SA841.V2-53	GUARD, HOSE
54	SA841.54	HOSE RED 10MM X 3/8 BSPT M X 1/4 BSPT M X 15M (for SA841.V2 only)
	AHFC1538	AIR HOSE HI-VIS 15mtr x 10mm with 1/4" BSP UNIONS (for SA841HV only)
55	SA841.V2-55	RUBBER BUMPER BLOCK
56	MSP625.S	MACHINE SCREW PAN HEAD PHILLIPS M6x25mm (SINGLE)
57	SN6.S	STEEL NUT M6 ZINC DIN934 (SINGLE)

**NOTE:** It is our policy to continually improve products and as such we reserve the right to alter data, specifications and component parts without prior notice. There may be alternative versions of this product, please contact us should you require this information.

**IMPORTANT:** No liability is accepted for incorrect use of product. Spare parts must be fitted by a competent person

**WARRANTY:** Guarantee is 12 months from purchase date, proof of which will be required for any claim.

**Sealey Group**, Kempson Way, Suffolk Business Park, Bury St Edmunds, Suffolk. IP32 7AR



01284 757500



01284 703534



sales@sealey.co.uk



www.sealey.co.uk