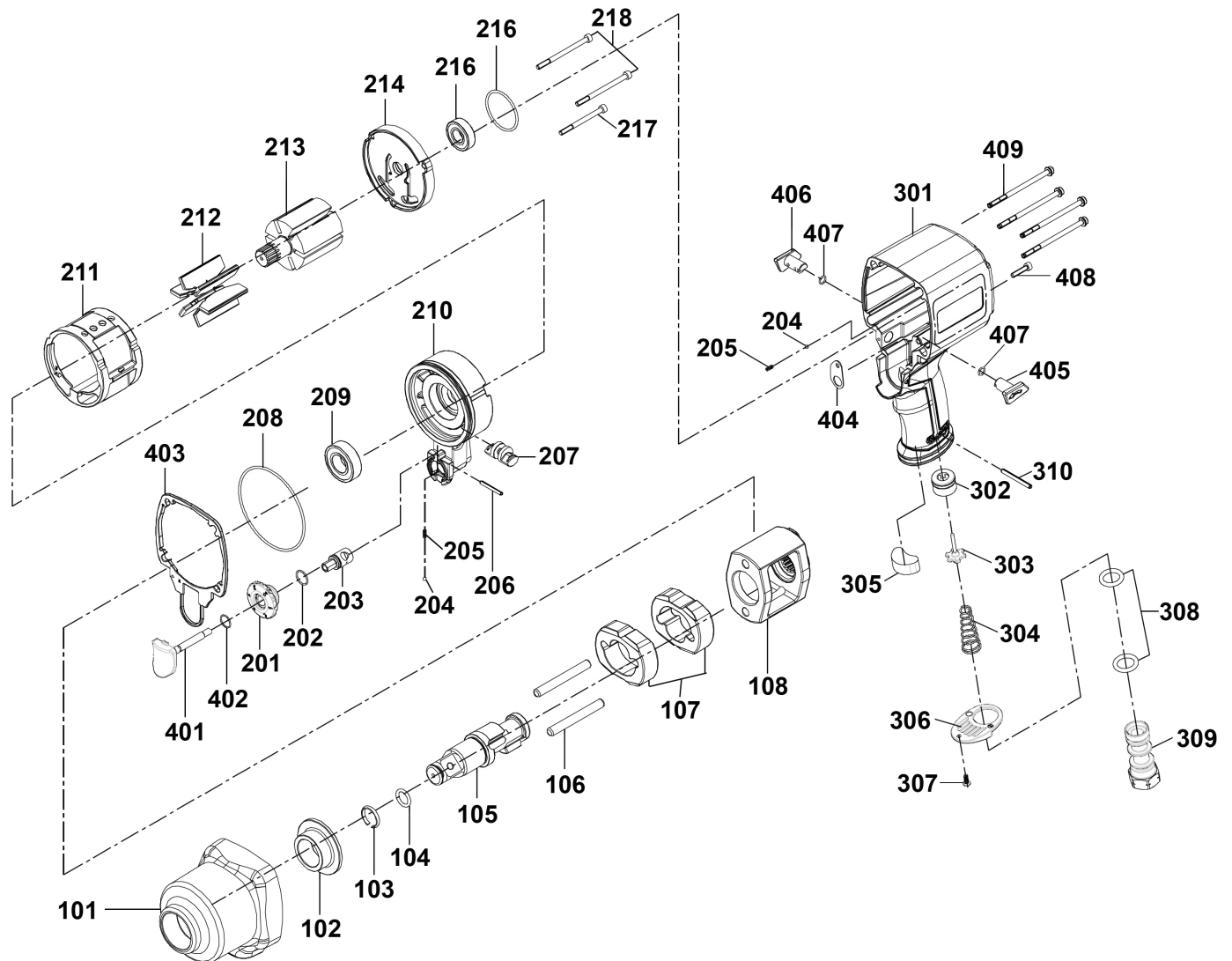




Parts Information:
Air Impact Wrench 3/4" Sq Drive Compact
Twin Hammer
Model No: SA6004.V2



NOTE: It is our policy to continually improve products and as such we reserve the right to alter data, specifications and component parts without prior notice. There may be alternative versions of this product, please contact us should you require this information.

IMPORTANT: No liability is accepted for incorrect use of product. Spare parts must be fitted by a competent person

WARRANTY: Guarantee is 12 months from purchase date, proof of which will be required for any claim.

Sealey Group, Kempson Way, Suffolk Business Park, Bury St Edmunds, Suffolk. IP32 7AR



01284 757500



01284 703534



sales@sealey.co.uk



www.sealey.co.uk



Parts Information:
**Air Impact Wrench 3/4" Sq Drive Compact
Twin Hammer**
Model No: SA6004.V2

Item	Part No.	Description
101	SA6005.V2-101	Hammer Case
102	SA6004.V2-102	Anvil Bushing
103	SA6004.V2-103	Socket Retainer
104	SA6004.V2-104	O-Ring (12x2.5mm)
105	SA6004.V2-105	Anvil
106	SA6005.V2-106	Hammer Pin
107	SA6005.V2-107	Hammer
108	SA6005.V2-108	Hammer Cage
201	SA6005.V2-201	Regulator Assembly
202	SA6005.V2-202	O-Ring (9x1.0)
203	SA6005.V2-203	Regulator Stem
204	SB-2.5	Steel Ball 2.5mm
205	SA6005.V2-205	Spring
206	SA6005.V2-206	Spring Pin
207	SA6005.V2-207	Reverse Stem
208	SA6005.V2-208	O-Ring (70x2mm)
209	B/6003ZZ	Bearing 6003ZZ
210	SA6005.V2-210	Front End Plate Ass'y
211	SA6005.V2-211	Cylinder
212	SA6005.V2-212	Rotor Blade
213	SA6005.V2-213	Rotor
214	SA6005.V2-214	Rear End Plate
215	B/6001ZZ	Bearing 6001ZZ

Item	Part No.	Description
216	SA6005.V2-216	O-Ring (33x2mm)
217	SCB450.SB	Socket Head Cap Screw M4x50 Black
218	SCB460.SB	Socket Head Cap Screw M4x60 Black
301	SA6005.V2-301	Housing Ass'Y (c/w Air Inlet Set)
302	SA6005.V2-302	Valve Seat Ass'y
303	SA6005.V2-303	Valve Stem Ass'y
304	SA6005.V2-304	Spring
305	SA6005.V2-305	Muffler
306	SA6005.V2-306	Exhaust Deflector
307	MSP38.SB	Machine Screw Pan Head Phillips M3x8mm Black
308	SA6005.V2-308	O-Ring
309	SA6005.V2-309	Air Inlet
310	SA6005.V2-310	Spring Pin (3x30)
401	SA6005.V2-401	Trigger Ass'y
402	SA6005.V2-402	O-Ring (3x1mm)
403	SA6005.V2-403	Front End Plate Gasket
404	SA6005.V2-404	Gasket
405	SA6005.V2-405	Reverse Button
406	SA6005.V2-406	Forward Button
407	SA6005.V2-407	O-Ring (7.6x1mm)
408	SCB420.SB	Socket Head Cap Screw M4x20 Black
409	SCB484.SB	Socket Head Cap Screw M4x84 Black

NOTE: It is our policy to continually improve products and as such we reserve the right to alter data, specifications and component parts without prior notice. There may be alternative versions of this product, please contact us should you require this information.

IMPORTANT: No liability is accepted for incorrect use of product. Spare parts must be fitted by a competent person

WARRANTY: Guarantee is 12 months from purchase date, proof of which will be required for any claim.

Sealey Group, Kempson Way, Suffolk Business Park, Bury St Edmunds, Suffolk. IP32 7AR



01284 757500



01284 703534



sales@sealey.co.uk



www.sealey.co.uk