

# UNITED KINGDOM 3-PIN PLUG-IN MULTI VOLTAGE POWER SUPPLY



## SW4177

### Features:

- United Kingdom Fixed AC Head
- 1 Year Warranty
- Level VI Efficiency
- CE Approved



### Description:

The Stontronics Range of Class II 12 Watt Max. AC/DC United Kingdom plug-in power supplies provide maximum 12 Watts of continuous power in a compact fixed wall plug enclosure suitable for use in many general power applications.

Specification	
Part Number	SW4177
Input Voltage Range	100-240Vac
Input Frequency Range	50-60Hz
Input Full Load Current	0.25A
Input Power	16.5W Max.
Output Voltage Rating	3.0/4.5/5.0/6.0/7.5/9.0/12.0V dc $\pm 10\%$
Output Current Range	1A
Output Min Current	0A
Output Connection Type	2.5mm, 3.5mm, 5.5x2.1mm, 5.5x2.5mm, 3.5x1.35mm, 4x1.7mm
Total Output Power	12W Max.
Line and Load Regulation	+/- 5%
Noise Test Bandwidth	20MHz. Each output bypassed by a 10uF
Efficiency	COMPLIED with CEC-400-2006-002-REV1 Efficiency level IV.
Protection	Over Current Over Voltage Over Power Short Circuit L.P.S (Limits for power source)
Operating Temperature	0°C to 25°C
Storage Temperature	-20°C to 50°C
Operating Humidity	20% to 85%
Storage Humidity	10% to 90%
Hi-Pot	3000Vac 5mA 50/60Hz
Safety Standard	GS
EMC Standard	CE
MTBF	50K Hours
Size mm max.	76.5 (L) x 50.2 (W) x 65.2 (H)
Weight	140g
Regulator Type	Switched Mode Power Supply

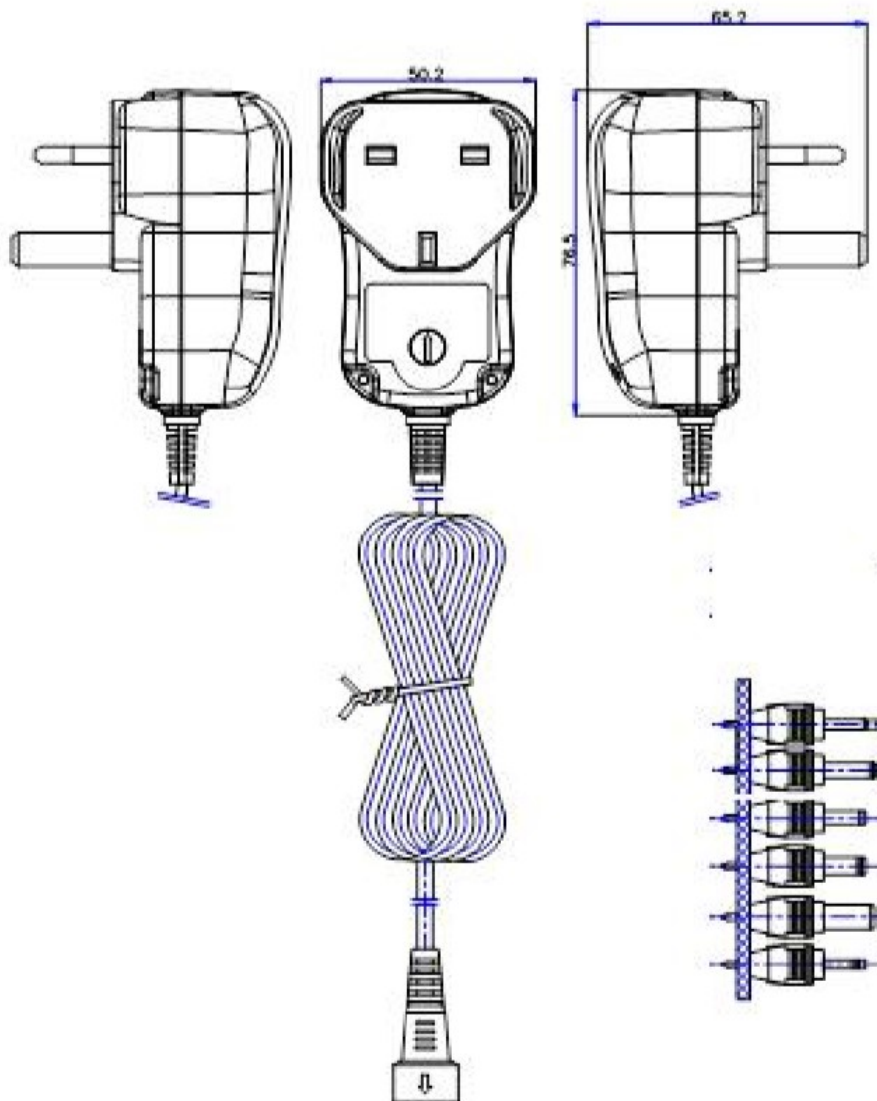
General Note  
TT Electronics reserves the right to make changes in product specification without notice or liability. All information is subject to TT Electronics' own data and is considered accurate at time of going to print.

TT Electronics | Stontronics Ltd  
Chancerygate Business Centre, Cradock Road, Reading RG2 0AH, UK  
t: +44 (0) 118 931 1199

# UNITED KINGDOM 3-PIN PLUG-IN MULTI VOLTAGE POWER SUPPLY

SW4177

## Diagrams



### General Note

TT Electronics reserves the right to make changes in product specification without notice or liability. All information is subject to TT Electronics' own data and is considered accurate at time of going to print.