

UNITED KINGDOM 3-PIN PLUG-IN POWER SUPPLY 5VDC 5 WATT



PowerPax: SW4492-W-V5

Features:

- United Kingdom Fixed AC Head
- 1 Year Warranty
- Level VI Efficiency
- CE Approved

Description:

Our Range of Class II 5 Watt AC/DC United Kingdom plug-in power supplies provide 5 Watts of continuous power in a compact fixed wall plug enclosure suitable for use in many general power applications.

Specification	
Part Number	SW4492-W-V5
Input Voltage Range	100-240Vac
Input Frequency Range	50-60Hz \pm 3Hz
Input Current Rated	0.18A max.
Output Voltage Rating	+5V
Output Current Range	1A
Output Min Current	\leq 20mA
Output Connection Type	USB 4 PIN
Line Regulation	+/- 5%
Load Regulation	+/- 5%
Ripple & Noise	200mVp-p
Efficiency	73.77% Min
Over Current Protection	The output shall be protected against the over current conditions.
Short-Circuit Protection	No Damage
Operating Temperature	0°C to +50°C
Storage Temperature	-20°C to +80°C
Operating Humidity	10% to 90%
Storage Humidity	10% to 90%
Hi-Pot	3000Vac 5mA 1min
Leakage Current	0.25mA max
Safety Standard	UK BS EN60950-1
EMC Standard	FCC part 15: Class B EN55032, Class B EN 55024, EN 61000-4-2,3,4,5
MTBF	50K Hours
Size mm max.	55.1(L) x 49.5 (W) x 42.49 (H)
Weight	40g
Regulator Type	Switched Mode Power Supply

General Note

TT Electronics reserves the right to make changes in product specification without notice or liability. All information is subject to TT Electronics' own data and is considered accurate at time of going to print.

POWERPAX

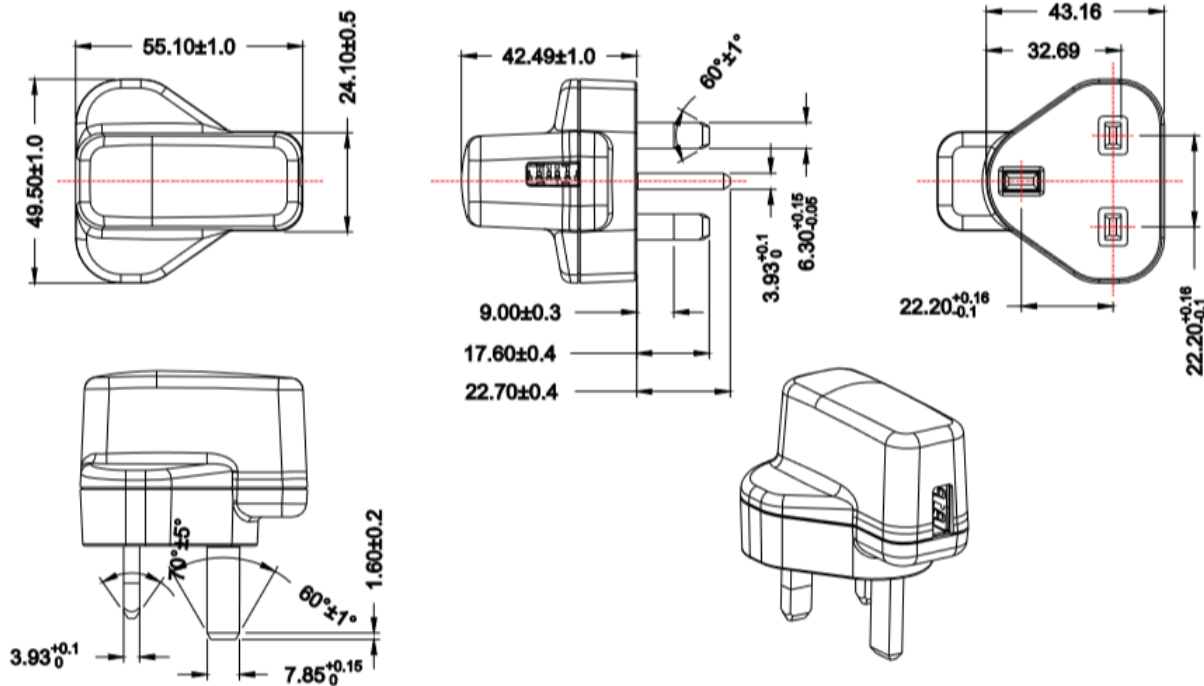
TT Electronics IoT Solutions Ltd
Tofts Farm East, Brenda Road, Hartlepool, TS25 2BQ, UK
t: +44 (0) 1429 852 500

UNITED KINGDOM 3-PIN PLUG-IN POWER SUPPLY 5VDC 5 WATT



PowerPax: SW4492-W-V5

Diagrams



General Note

TT Electronics reserves the right to make changes in product specification without notice or liability. All information is subject to TT Electronics' own data and is considered accurate at time of going to print.

POWERPAX

TT Electronics IoT Solutions Ltd
Tofts Farm East, Brenda Road, Hartlepool, TS25 2BQ, UK
t: +44 (0) 1429 852 500