

INTERCHANGEABLE WALL PLUG POWER SUPPLY 12VDC 6WATT



SW4457-C

Features:

- Interchangeable AC Heads
- 1 Year Warranty
- Level VI Efficiency
- Worldwide Approvals



Description:

The Stontronics range of 6 Watt Interchangeable wall plug power supplies provide 6 watts of continuous power with the flexibility of worldwide usage as they are supplied with UK, Euro, Auz & USA AC Heads , all Efficiency Level VI and carry worldwide safety approvals.

Specification	
Part Code	SW4457-C
Input Voltage Range	90-264 Vac
Input Frequency Range	50/60Hz +/- 3Hz
Input Current Rated	0.18A max.
Input AC Heads	UK, Euro, Auz & USA
Output Voltage Rating	+12V
Output Current Range	0.5A
Output Min Current	0.01A
Output Connection Type	2.1x5.5x12mm centre positive – Straight
Total Output Regulation	+/-5%
Line and Load Regulation	+/-5%
Ripple & Noise	200mVp-p
Efficiency	79.03% min
Over Voltage Protection	auto restart
Over Load Protection	auto restart
Operating Temperature	0 to 40°C
Storage Temperature	-20 to +80°C
Operating Humidity	10 to 90%
Storage Humidity	10 to 90%
Hi-Pot	3000VAC 10mA 1min
Leakage Current	<0.25mA max
Safety Standard	UL,CSA,TUV,CE,UK,SA
EMI Standard	FCC part 15: Class B,EN55022:2010, Class B
MTBF	50K Hours
Size mm max.	55.1*37*42.95mm
Weight	65 g

General Note

TT Electronics reserves the right to make changes in product specification without notice or liability. All information is subject to TT Electronics' own data and is considered accurate at time of going to print.

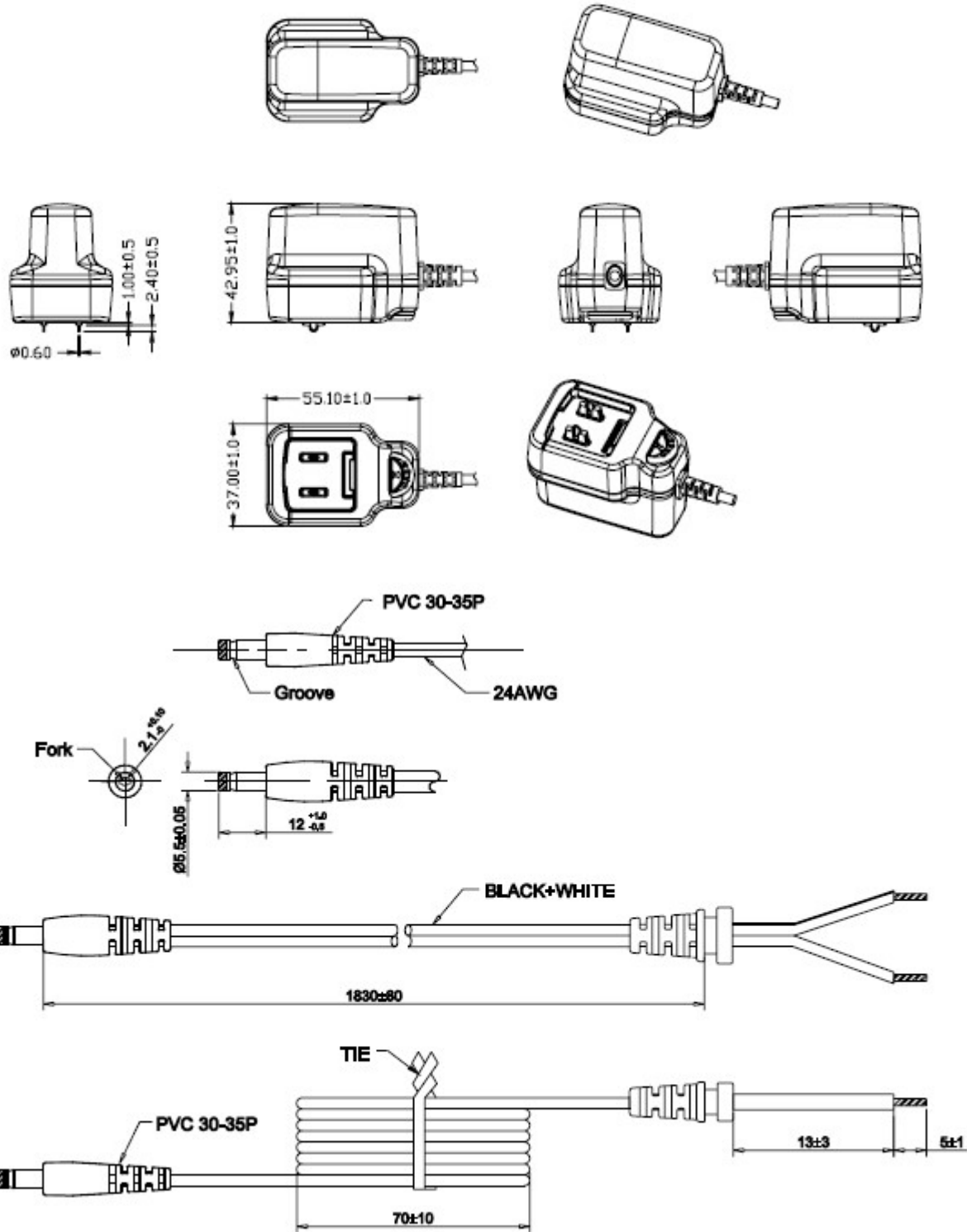
TT Electronics | Stontronics Ltd
Chancerygate Business Centre, Cradock Road, Reading RG2 0AH, UK
t: +44 (0) 118 931 1199

INTERCHANGEABLE WALL PLUG POWER SUPPLY 12VDC 6WATT



SW4457-C

Diagrams



General Note
 TT Electronics reserves the right to make changes in product specification without notice or liability. All information is subject to TT Electronics' own data and is considered accurate at time of going to print.

TT Electronics | Stontronics Ltd
 Chancerygate Business Centre, Cradock Road, Reading RG2 0AH, UK
 t: +44 (0) 118 931 1199