

INSTALLATION POWER SUPPLY

12VDC 12WATT



UKR006-57-KBB

Features:

- Level VI
- Universal / Full range AC input
- Fixed AC mains lead (UK plug)
- Class II power (no earth)
- Small & Compact design



Description:

The TT Range of 12 watt AC/DC Installation Power supplies are offered in a low profile compact enclosure with 4 mounting tabs, a fixed AC Input Cable and DC Output Cable, Single output voltage between 5vdc – 24vdc. These highly reliable power supplies can be used in many indoor applications such as CCTV, Access control and Building Management Systems.

Specification	
Part Code	UKR006-57-KBB
Voltage	12Vdc
Current Max	1A
Power (Watts)	12W
Line Regulation	Less than $\pm 5\%$ while measuring at rated load and $\pm 10\%$ of input voltage changing
Ripple & Noise	120mVp-p
Protections	Over Current, Short Circuit
Case Size (mm)	84.5 x 39 x 26.5
Weight	173g
DC Cord	1.8m
DC Plug	Straight 2.1 C+ve
Rated Input Voltage	100-240Vac
Full Input Voltage Range	90-264Vac
Full Frequency Range	50-60Hz $\pm 3\%$
Efficiency	83.26% minimum(output current from 100%, 75%, 50%, 25%) 73.26% minimum(10% load)
Input Current RMS Max	400mA
Inrush Current	No damage shall be occurred and the input fuse shall not be blown up nominal input voltage full load 25°C cold start
Leakage Current	<0.25mA
Input Power (No Load)	0.075W Max
AC Mains Lead	1.5m UK Plug
Hi-Pot	3000 Vac, 5mA, 1 min
Operating Temperature	0°C to 40°C
Storage Temperature	-20°C +80°C
Operating Humidity	10% to 90% (Non Condensing)
Storage Humidity	10% to 90% (Non Condensing)
Safety Approvals	UL, CSA, TUV,CE, UK & TCA
EMI Standards	FCC part 15, EN55032, GB9254, GB17625
MTBF	50K

General Note
TT Electronics reserves the right to make changes in product specification without notice or liability. All information is subject to TT Electronics' own data and is considered accurate at time of going to print.

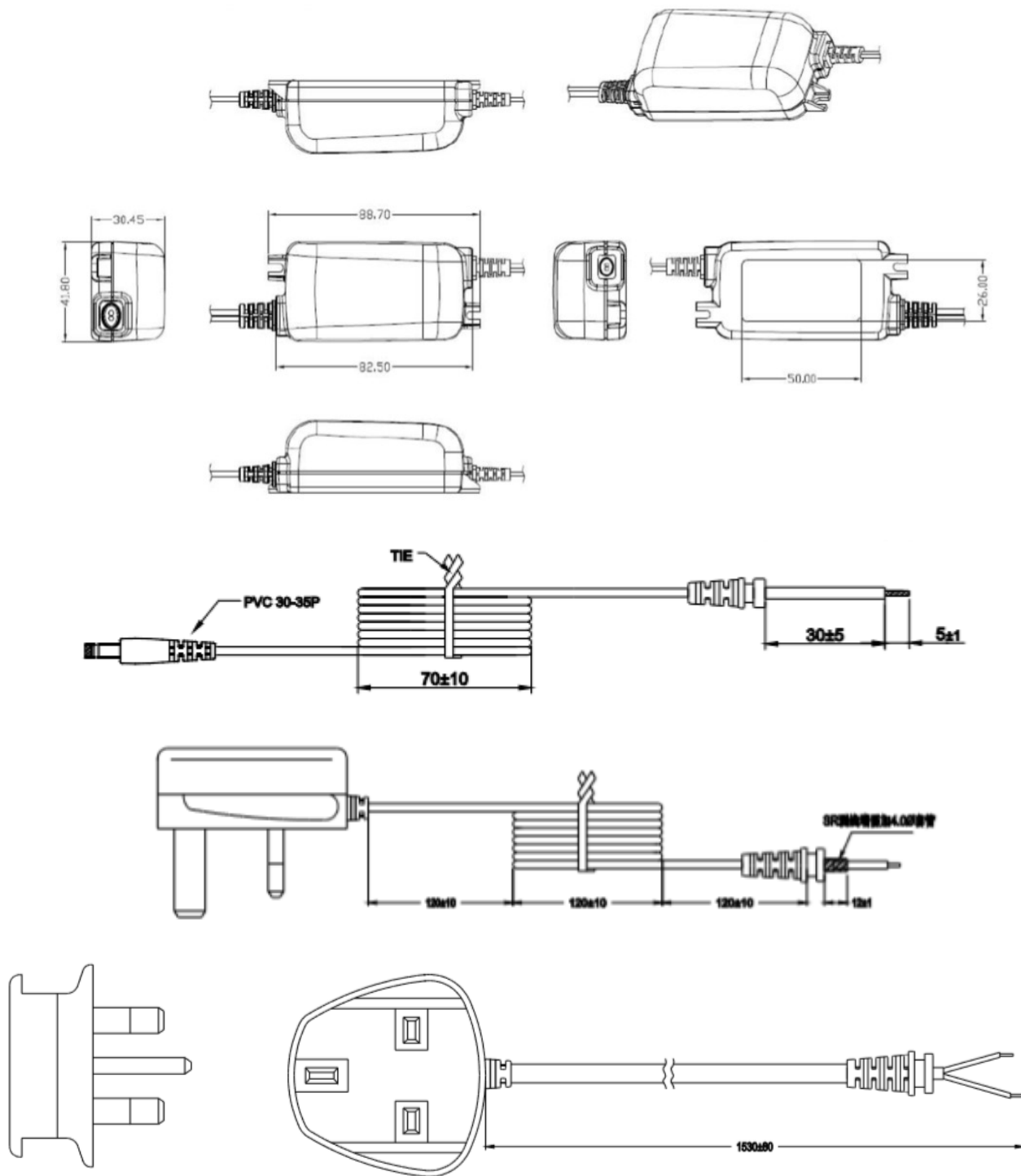
TT Electronics | Stontronics Ltd
Chancerygate Business Centre, Cradock Road, Reading RG2 0AH, UK
t: +44 (0) 118 931 1199

INSTALLATION POWER SUPPLY 12VDC 12WATT



UKR006-57-KBB

Diagrams



General Note
TT Electronics reserves the right to make changes in product specification without notice or liability. All information is subject to TT Electronics' own data and is considered accurate at time of going to print.

TT Electronics | Stontronics Ltd
Chancerygate Business Centre, Cradock Road, Reading RG2 0AH, UK
t: +44 (0) 118 931 1199