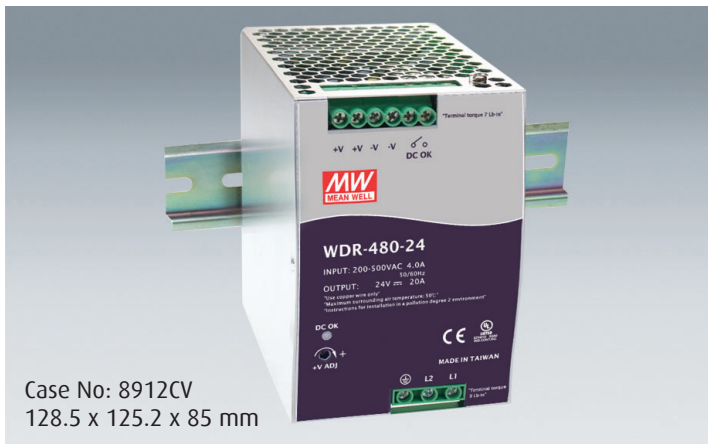


WDR-480 Series

480W Single Output Industrial DIN RAIL Power Supply



Case No: 8912CV
128.5 x 125.2 x 85 mm

Features

- Single and two phase wide input range 180~550VAC
- Built-in active PFC circuit compliance to EN61000-3-2
- High Efficiency 93% and low power dissipation
- Protections: Short circuit / Overload / Over Voltage / Over Temperature
- Cooling by free air convection
- Can be installed on DIN rail TS-35/7.5 or 15
- UL 508 (industrial control equipment) approved
- EN61000-6-2(EN50082-2) industrial immunity level
- Built-in DC OK relay contract
- 100% full load burn-in test
- 3 years warranty



Specification

INPUT	Voltage	180V ~ 550VAC	254 ~ 780VDC
	Frequency	47 ~ 63 Hz	
	Power Factor (Typ.)	PF≥0.84/400VAC	PF≥0.84/230VAC
	Current	1.6A@400VAC	4A@230VAC
	Inrush Current (Typ.)	Cold Start 50A	
	Leakage Current	>3.5mA@530VAC	
	Efficiency	92%	93%
		MODEL No.	WDR-480-24
OUTPUT	Voltage	24V	48V
	Rated Current	20A	10A
	Current Range	0 ~ 20A	0 ~ 10A
	Rated Power	480W	480W
	Ripple Noise MAX	100mVp-p	150mVp-p
	Voltage Adj. Range	24 ~ 48V	48 ~ 55V
	Voltage Tolerance	± 1.0%	± 1.0%
	Line Regulation	± 0.5%	± 0.5%
	Load Regulation	± 1.0%	± 1.0%
		Setup Rise Time	800ms, 150ms / 400VAC
	Hold Up Time	18ms / 400VAC	16ms/230VAC at full load
PROTECTION	Overload	105 ~ 130% rated output power Constant current limiting, unit will shut down after 3 secs, auto-recovery after 1 minute if the fault condition is removed	
	Over Voltage	29~33V	56~65V Shut down o/p voltage, auto-recovery after 1 minute if the fault condition is removed
	Over Temperature	90°C ±5°C (TSW) detect on heatsink of power switch Protection Type: Shut down o/p voltage, recovers automatically after temperature goes down	
FUNCTION	DC OK Relay contact ratings (max.)	60Vdc/0.3A, 30Vdc/1A, 30Vac/0.5A resistive load	
ENVIRONMENT	Working Temp.	-30~+70°C (Refer to derating Curve")	
	Working Humidity	20~95% RH non-condensing	
	Storage Temp., Humidity	-40~+85°C, 10~95%RH	
	Temp. Co-efficient	±0.03% / °C (0~50°C)	
	Vibration	Component: 10~500Hz, 2G 10min./1cycle, 60 min. each along X, Y, Z axes; mounting: Compliance to IEC60068-2-6	
SAFETY & EMC	Safety Standards	UL508 approved, IEC60950-1 CB approved by SIQ, design refer to GL; (meets EN60204-1)	
	Withstand Voltage	I/P-OP:3KVAC	I/P-FG:2KVAC O/P-FG:0.5KVAC O/P-DC OK:0.5KVAC
	Isolation Resistance	I/P-O/P, I/P-FG, O/P-FG:>100M Ohms / 500VDC / 25°C / 70%RH	
	EMC Emission	Compliance to EN55022 (CISPR22), EN61204-3 Class B, EN61000-3-2, -3	
	EMC Immunity	Compliance to EN61000-4-2,3,4,5,6,8,11, EN55024, EN61000-6-2, (EN50082-2), EN61204-3, heavy industry level, criteria A approved	
OTHERS	MTBF	112.8K hrs min. MIL-HDBK-217F (25°C)	
	Packaging	1.7Kg; 8pcs/14.6Kg/0.9CUFT	

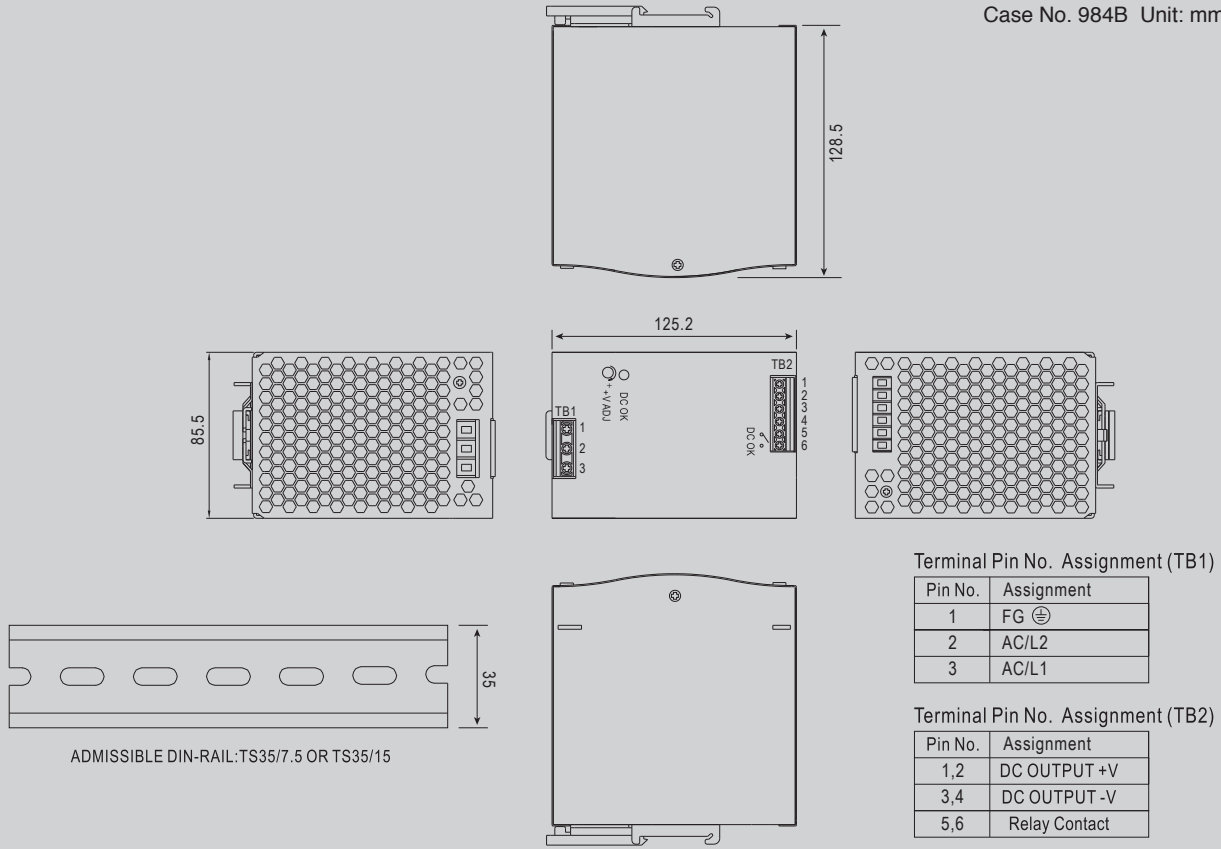
1. All parameters NOT specially mentioned are measured at 230VAC input, rated load and 25°C of ambient temperature.
2. Ripple and noise are measured at 20MHz of bandwidth by using a 12" twisted pair-wire terminated with a 0.1uF & 47uF parallel capacitor.
3. Tolerance: includes set up tolerance, line regulation and load regulation.
4. The power supply is considered a component which will be installed into a final equipment. The final equipment must be re-confirmed that it still meets EMC directives.
5. Installation clearances: 40mm on top, 20mm on the bottom, 5mm on the left and right side are recommended when loaded permanently with full power.
In case the adjacent device is a heat source, 15mm clearance is recommended.
6. Derating may be needed under low input voltage. Please check the derating curve for more details.

WDR-480 Series

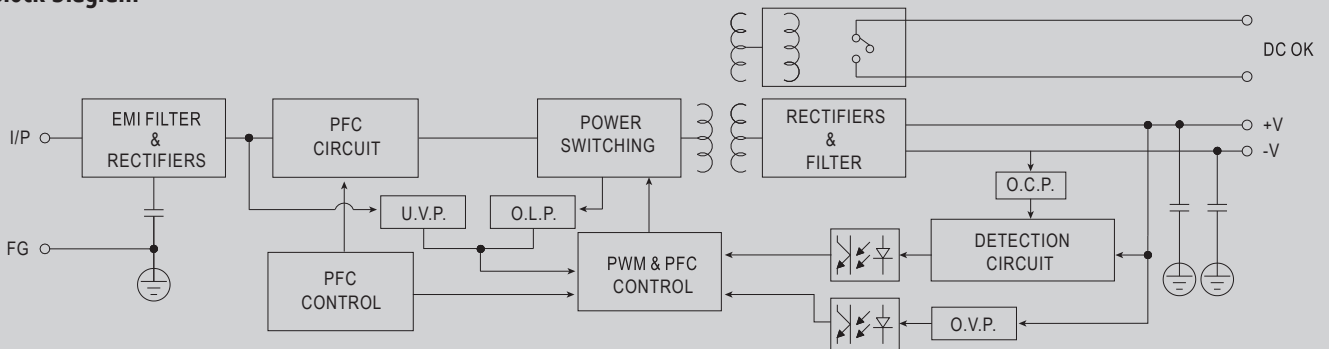
480W Single Output Industrial DIN RAIL Power Supply

Mechanical Specification

Case No. 984B Unit: mm



Block Diagram

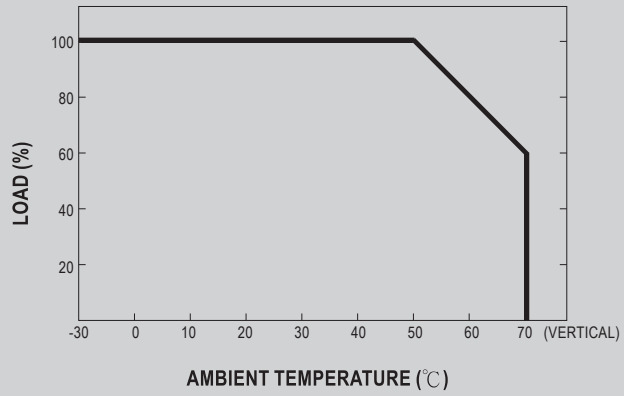


Contact Close	PSU turns on / DC OK.
Contact Open	PSU turns off / DC Fail.
Contact Ratings (max.)	30V/1A resistive load.

WDR-480 Series

480W Single Output Industrial DIN RAIL Power Supply

Derating Curve



Output derating VS input voltage

