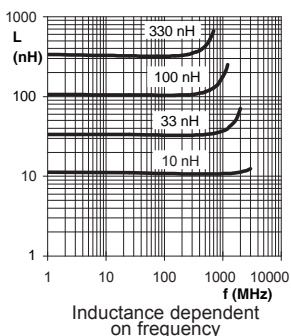
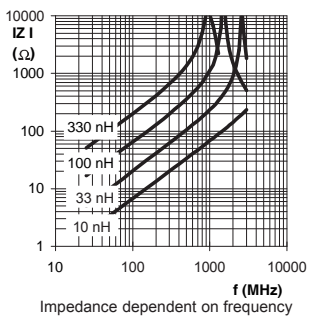
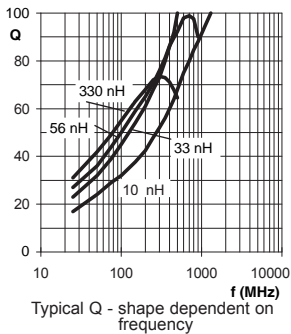
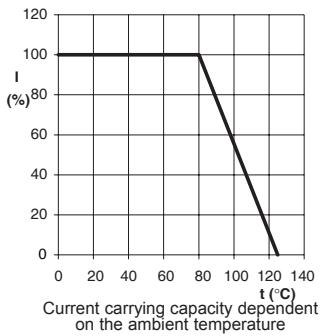
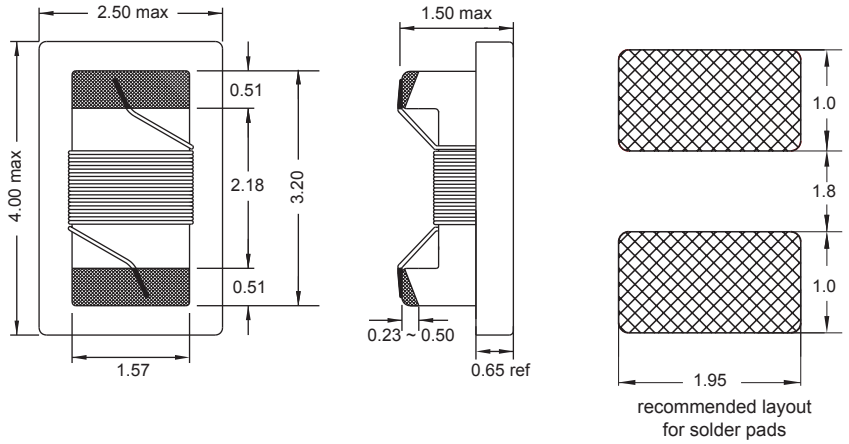
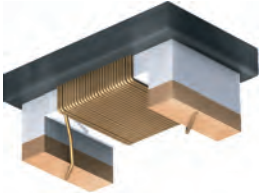


1206 AS

Engineer's Kit : EK-1206AS-X



Part No	Inductance	f _L	Tol	Q	f _Q	SRF ¹	DCR	Rated DC
	L (nH)	(MHz)	± (%)	min	(MHz)	(MHz)	max (Ω)	Current max (mA)
1206AS-3N3M-01	3.3	100	20	30	300	6000	0.05	1000
1206AS-6N8K-01	6.8	100	10	37	300	5500	0.07	1000
1206AS-010J-01	10	100	5	40	300	4000	0.08	1000
1206AS-012J-01	12	100	5	51	300	3200	0.08	1000
1206AS-015J-01	15	100	5	51	300	3200	0.10	1000
1206AS-018J-01	18	100	5	51	300	2800	0.10	1000
1206AS-022J-01	22	100	5	52	300	2200	0.10	1000
1206AS-027J-01	27	100	5	52	300	1800	0.11	1000
1206AS-033J-01	33	100	5	56	300	1800	0.11	1000
1206AS-039J-01	39	100	5	64	300	1800	0.12	1000
1206AS-047J-01	47	100	5	64	300	1500	0.13	1000
1206AS-056J-01	56	100	5	64	300	1450	0.14	1000
1206AS-068J-01	68	100	5	61	300	1200	0.26	900
1206AS-082J-01	82	100	5	66	300	1200	0.21	900
1206AS-R10J-01	100	100	5	55	300	1100	0.26	850
1206AS-R12J-01	120	100	5	75	300	1100	0.26	800
1206AS-R13J-01	130	100	5	75	300	950	0.31	750
1206AS-R15J-01	150	100	5	65	300	950	0.31	750
1206AS-R18J-01	180	50	5	75	300	900	0.43	700
1206AS-R21J-01	210	50	5	75	300	760	0.50	670
1206AS-R22J-01	220	50	5	75	300	760	0.50	670
1206AS-R27J-01	270	50	5	57	300	730	0.56	630
1206AS-R29J-01	290	50	5	57	150	650	0.62	590
1206AS-R33J-01	330	50	5	55	150	650	0.62	590
1206AS-R39J-01	390	50	5	55	150	600	0.75	530
1206AS-R47J-01	470	50	5	52	150	550	1.30	490
1206AS-R50K-01	500	50	10	45	150	470	1.30	460
1206AS-R56K-01	560	50	10	45	150	470	1.34	460
1206AS-R68K-01	680	35	10	45	150	450	1.58	430
1206AS-R82K-01	820	35	10	45	150	420	1.82	400
1206AS-1R0K-01	1000	35	10	45	150	400	2.80	320
1206AS-1R2K-01	1200	35	10	45	150	380	3.20	300
1206AS-2R2K-01	2200	35	10	32	150	160	4.50	280
1206AS-3R3K-01	3300	35	10	20	50	140	6.50	130
1206AS-4R7K-01	4700	35	10	20	50	120	7.20	120

Material : Ceramic

SPQ : Reel 2000 [-01]
7500 [-04]

Remarks: - For not listed inductance values please check availability with us.
- 2% and 5% tolerance available on request.
- SRF¹ : 3.3nH to 470nH = SRF min
: 500nH to 4700nH = SRF typ

Chip Inductors (wire wound - open)