



AIR NIBBLER

MODEL NO: SA28.V2

Thank you for purchasing a Sealey product. Manufactured to a high standard, this product will, if used according to these instructions, and properly maintained, give you years of trouble free performance.

IMPORTANT: PLEASE READ THESE INSTRUCTIONS CAREFULLY. NOTE THE SAFE OPERATIONAL REQUIREMENTS, WARNINGS & CAUTIONS. USE THE PRODUCT CORRECTLY AND WITH CARE FOR THE PURPOSE FOR WHICH IT IS INTENDED. FAILURE TO DO SO MAY CAUSE DAMAGE AND/OR PERSONAL INJURY AND WILL INVALIDATE THE WARRANTY. KEEP THESE INSTRUCTIONS SAFE FOR FUTURE USE.



Refer to instruction manual



Wear eye protection



Wear protective gloves



Wear ear protection

1. SAFETY

- WARNING!** Ensure Health & Safety, local authority, and general workshop practice regulations are adhered to when using this equipment.
- WARNING!** Disconnect from air supply before changing the punch and die, servicing or performing maintenance.
- ✓ Maintain the nibbler in good condition (use an authorised service agent).
- ✓ Replace or repair damaged parts. Use genuine parts only. Non-authorised parts may be dangerous and will invalidate the warranty.
- ✓ Use in suitable clean and tidy working area, free from unrelated materials and ensure there is adequate lighting.
- WARNING!** Always wear approved eye or face and hand protection when operating the nibbler.
- ✓ Remove ill fitting clothing. Remove ties, loose jewellery, and contain and/or tie back long hair.
- ✓ Wear appropriate protective clothing and keep hands and body clear of working parts.
- ✓ Maintain correct balance and footing. Ensure the floor is not slippery and wear non-slip shoes.
- ✓ Keep children and unauthorised persons away from the working area.
- ✓ Check moving parts alignment on a regular basis.
- ✓ Ensure workpiece is secure before operating the nibbler. Never hold a workpiece by hand. Use a vice or clamps.
- WARNING!** Ensure correct air pressure is maintained and not exceeded. Recommended pressure 90psi.
- ✓ Keep air hose away from heat, oil and sharp edges. Check air hose for wear before each use and ensure that all connections are secure.
- ✓ Prolonged exposure to vibration from this nibbler poses a health risk. It is the employer's/owner's and operator's responsibility to correctly assess the potential hazard and issue guidelines for safe periods of use and offer suitable protective equipment.
- ✗ **DO NOT** operate the nibbler near any flammable substance or on any container that once contained an flammable substance.
- ✗ **DO NOT** use the nibbler for a task it is not designed to perform.
- ✗ **DO NOT** operate nibbler if any parts are damaged or missing as this may cause failure and/or personal injury.
- ✗ **DO NOT** carry the nibbler by the hose, or yank the hose from the air supply.
- ✗ **DO NOT** operate nibbler when you are tired, under the influence of alcohol, drugs or intoxicating medication.
- ✗ **DO NOT** carry the nibbler with your finger on the trigger.
- ✗ **DO NOT** direct air from the air hose at yourself or others.
- ✓ When not in use disconnect from air supply and store in a safe, dry, childproof location.
- WARNING!** The warnings, cautions and instructions discussed in this instruction manual cannot cover all possible conditions and situations that may occur. It must be understood that common sense and caution are factors which cannot be built into this product, but must be applied by the operator.

2. INTRODUCTION

Well balanced robust construction with fingertip operated throttle control. Suitable for cutting intricate shapes in steel up to 1.5mm thick. Punch and die may be rotated through 360° to aid access and obtain maximum consumable life.

3. SPECIFICATION

Model No:..... SA28.V2
 Maximum Cutting Capacity: 1.5mm (Steel)
 Free Speed: 3000spm
 Air Consumption:..... 4cfm
 Operating Pressure: 90psi
 Inlet Size: 1/4" BSP
 Weight: 1kg
 Noise Power/Pressure: 99/88dB(A)
 Vibration/Uncertainty: 7.75 / 1.5 m/s²

Consumable Parts:
 Replacement Punch & Die Set SA28PDKV2

4. PREPARATION

- 4.1. **AIR SUPPLY**
- 4.1.1. Remove protective plug from air inlet and connect to the air supply as described below.
- 4.1.2. You will require an air pressure of 90psi, and an air flow according to the specification above.
 - WARNING!** Ensure the air supply is clean and does not exceed 90psi while operating the nibbler. Too high an air pressure and unclean air will shorten the product life due to excessive wear, and may be dangerous causing damage and/or personal injury.

- 4.1.3. Drain the air tank daily. **Water in the air line will damage the nibbler and will invalidate your warranty.**
- 4.1.4. Clean air inlet filter weekly. Recommended hook-up procedure is shown in fig.1.
- 4.1.5. Line pressure should be increased to compensate for unusually long air hoses (over 8 metres). The minimum hose diameter should be 1/4" I.D. and fittings must have the same inside dimensions.
- 4.1.6. Keep hose away from heat, oil and sharp edges. Check hoses for wear, and make certain that all connections are secure.
- 4.2. **COUPLINGS**
- 4.2.1. Vibration may cause failure if a quick change coupling is connected directly to the nibbler. To overcome this, connect a leader hose to the nibbler. A quick change coupling may then be used to connect the leader hose to the air line recoil hose. See fig's 1 & 2.

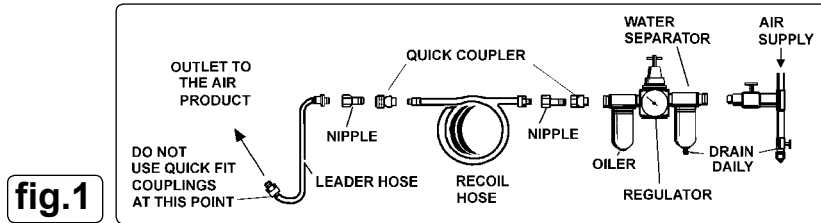


fig.1

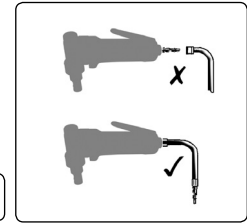


fig.2

5. OPERATION

- **WARNING!** Ensure you read, understand and apply safety instructions before use.
- 5.1. The nibbler should be set up for use before connecting to the air line.
- 5.2. In order to improve access to the workpiece, the die can be rotated through 360°. To do this, loosen the locknut with a 22mm spanner (see fig.3-2). Rotate the die (see fig.3-1) on the punch until it is in the right position for the job in hand. Hold the die steady with a 15mm spanner on its flats and re-tighten the locknut (see fig.3-2).
- 5.3. Ensure that your workpiece is properly secured and marked out.
- 5.4. Connect the nibbler to the air line.
- 5.5. Start the nibbler by squeezing the throttle lever.
- 5.6. Introduce the sheet metal into the slot in the end of the die. Apply light pressure only to move the tool in the desired direction through the material.
- × **DO NOT** allow the nibbler to run freely for any length of time as this will damage the bearings.

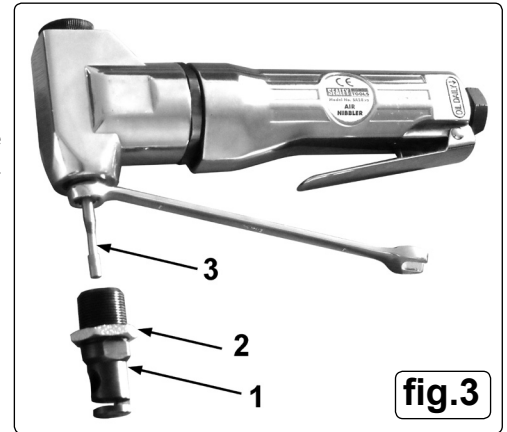


fig.3

6. MAINTENANCE

- **WARNING!** Disconnect the nibbler from the air supply before changing the punch and die, servicing or performing maintenance. Replace or repair damaged parts.
- 6.1. Use genuine parts only. Non-authorized parts may be dangerous and will invalidate the warranty.
- 6.2. Lubricate the air nibbler daily with a few drops of the air tool oil supplied, dripped into the air inlet before use. (To re-order air tool oil use Sealey part Nos. ATO/500 or ATO1000.)
- 6.3. Loss of power or erratic action may be due to the following:
 - a) Excessive drain on the air line. Moisture or restriction in the air pipe. Incorrect size or type of hose connectors. To remedy check the air supply and follow instructions in section 4.
 - b) Grit or gum deposits in the nibbler may also reduce performance. If your model has an air strainer (located in the area of the air inlet), remove the strainer and clean it. Flush the nibbler out with gum solvent oil or an equal mixture of SAE No 10 oil and kerosene. Allow to dry before use. If you continue to experience problems, contact your local Sealey service agent.
- 6.4. For a full service contact your local Sealey service agent.
- 6.5. When not in use, disconnect from air supply, clean nibbler and store in a safe, dry, childproof location.
- 6.6. **CHANGING THE PUNCH AND DIE (SEE FIG.3)**
- 6.6.1. Loosen the locknut (see fig.3.2) and unscrew the die (with the locknut on it) from the main body of the nibbler. Place a 9mm spanner onto the hex section of the die collar as shown in fig.3 and undo and remove the die collar and punch.
- 6.6.2. Remove the old punch from the collar and insert the new one. Screw the collar and punch back into place and tighten with the spanner.
- 6.6.3. Slide the die and locknut over the punch and screw it back into the main body of the nibbler until the bottom of the punch is flush with the bottom of the die. Rotate the die into the position required by the workpiece. Hold the die steady with a 15mm spanner on its flats and retighten the locknut (see fig.3.2).

WARNING! – Risk of Hand Arm Vibration Injury.

This tool may cause Hand Arm Vibration Syndrome if its use is not managed adequately.

This tool is subject to the vibration testing section of the Machinery Directive 2006/42/EC.

This tool is to be operated in accordance with these instructions.

Measured vibration emission value (a): 7.75 m/s²

Uncertainty value (k): 1.5 m/s²

Please note that the application of the tool to a sole specialist task may produce a different average vibration emission. We recommend that a specific evaluation of the vibration emission is conducted prior to commencing with a specialist task.

A health and safety assessment by the user (or employer) will need to be carried out to determine the suitable duration of use for each tool.

NB: Stated Vibration Emission values are type-test values and are intended to be typical.

Whilst in use, the actual value will vary considerably from and depend on many factors.

Such factors include; the operator, the task and the inserted tool or consumable.

NB: ensure that the length of leader hoses is sufficient to allow unrestricted use, as this also helps to reduce vibration.

The state of maintenance of the tool itself is also an important factor, a poorly maintained tool will also increase the risk of Hand Arm Vibration Syndrome.

Health surveillance.

We recommend a programme of health surveillance to detect early symptoms of vibration injury so that management procedures can be modified accordingly.

Personal protective equipment.

We are not aware of any personal protective equipment (PPE) that provides protection against vibration injury that may result from the uncontrolled use of this tool. We recommend a sufficient supply of clothing (including gloves) to enable the operator to remain warm and dry and maintain good blood circulation in fingers etc. Please note that the most effective protection is prevention, please refer to the Correct Use and Maintenance section in these instructions. Guidance relating to the management of hand arm vibration can be found on the HSE website www.hse.gov.uk - Hand-Arm Vibration at Work.



ENVIRONMENT PROTECTION

Recycle unwanted materials instead of disposing of them as waste. All tools, accessories and packaging should be sorted, taken to a recycling centre and disposed of in a manner which is compatible with the environment. When the product becomes completely unserviceable and requires disposal, drain any fluids (if applicable) into approved containers and dispose of the product and fluids according to local regulations.

Note: It is our policy to continually improve products and as such we reserve the right to alter data, specifications and component parts without prior notice.

Important: No Liability is accepted for incorrect use of this product.

Warranty: Guarantee is 12 months from purchase date, proof of which is required for any claim.

Sealey Group, Kempson Way, Suffolk Business Park, Bury St Edmunds, Suffolk. IP32 7AR



01284 757500



01284 703534



sales@sealey.co.uk



www.sealey.co.uk