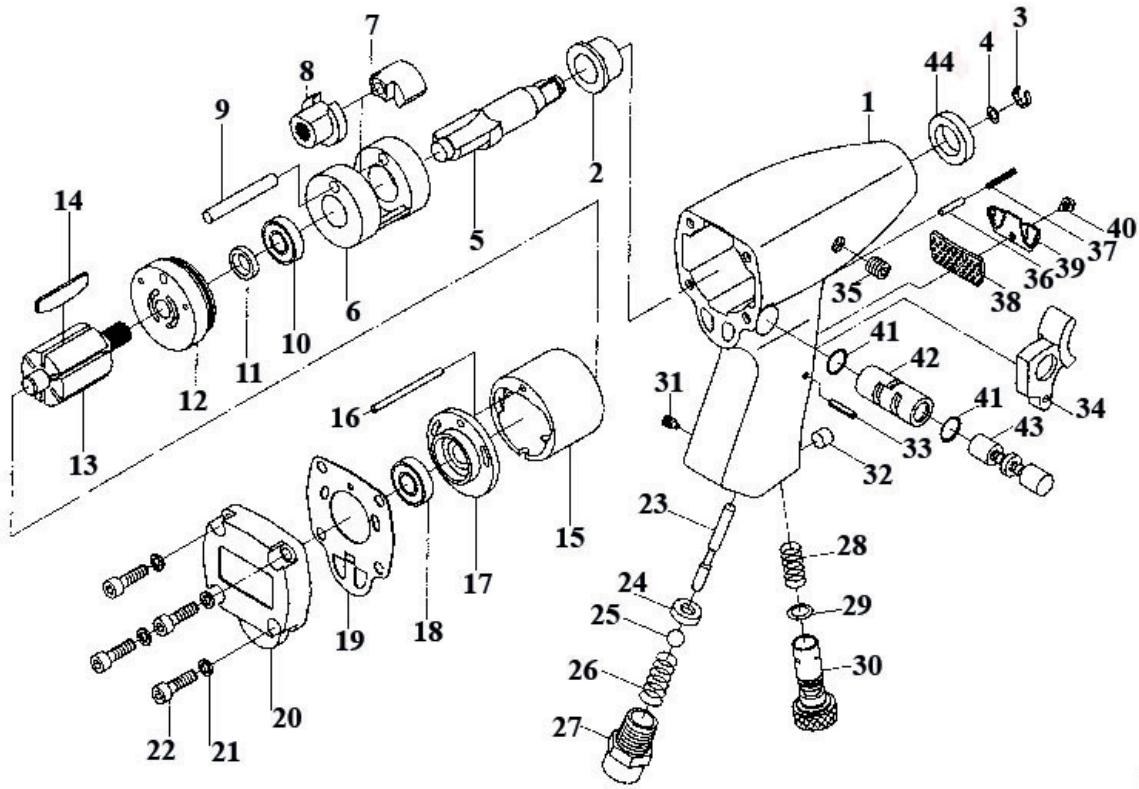


Parts Information:
Air Impact Wrench 3/8" Sq Drive Heavy-Duty
Model No: SA912.V2



Item	Part No.	Description
1	SA912.V2-01	HOUSING
2	SA912.V2-02	BUSHING
3	SA912.V2-03	ANVIL COLLAR 3/8" x 1.5mm
4	SA912.V2-04	O-RING
5	SA912.V2-05	ANVIL
6	SA912.V2-06	HAMMER CAGE
7	SA912.V2-07	HAMMER DOG
8	SA912.V2-08	DRIVE CAM
9	SA912.V2-09	PIN
10	B/6900ZZ	BEARING 6900ZZ
11	SA912.V2-11	OIL SEAL
12	SA912.V2-12	FRONT PLATE
13	SA912.V2-13	ROTOR
14	SA912.V2-14	ROTOR BLADE
15	SA912.V2-15	CYLINDER
16	SA912.V2-16	PIN
17	SA912.V2-17	END PLATE
18	B/626ZZ	BEARING 626ZZ
19	SA912.V2-19	REAR GASKET
20	SA912.V2-20	REAR COVER
21	SA912.V2-22	SOCKET HEAD CAP SCREW M5x20
22	SA912.V2-22	SOCKET HEAD CAP SCREW M5x20

Item	Part No.	Description
23	SA912.V2-23	VALVE STEM
24	SA912.V2-24	BUSHING
25	SB-9.5	STEEL BALL 9.5mm
26	SA912.V2-26	SPRING
27	SA912.V2-27	AIR INLET
28	SA912.V2-28	SPRING
29	SA912.V2-29	O-RING
30	SA912.V2-30	AIR REGULATOR
31	SA912.V2-31	SCREW
32	SA912.V2-32	PLUG
33	SA912.V2-33	SPRING PIN M3X20
34	SA912.V2-34	TRIGGER
35	GSM86.S	GRUB SCREW M8x6 (SINGLE)
36	SA912.V2-36	PIN
37	SA912.V2-37	SPRING
38	SWM10.S	SPRING WASHER M10 ZINC (SINGLE)
39	SA912.V2-39	EXHAUST DEFLECT
40	GSM86.S	GRUB SCREW M8x6 (SINGLE)
41	SA912.V2-41	O-RING
42	SA912.V2-42	VALVE SLEEVE
43	SA912.V2-43	REVERSE VALVE
44	SA912.V2-44	OIL SEAL

NOTE: It is our policy to continually improve products and as such we reserve the right to alter data, specifications and component parts without prior notice.

IMPORTANT: No liability is accepted for incorrect use of product.

WARRANTY: Guarantee is 12 months from purchase date, proof of which will be required for any claim.