

Item	Part No.	Description
1	2200HL.V2-01	HANDLE GRIP
2	2200HL.V2-02	HANDLE
3	2200HL.V2-03	DUST CAP
4	SCB620.SB	SOCKET HEAD CAP SCREW M6x20 BLACK
5	SN18.S	STEEL NUT M18 ZINC DIN934(SINGLE)
6	SWM18.S	SPRING WASHER M18 ZINC (SINGLE)
7	FWM18.S	FLAT WASHER M18 SINGLE
8	2200HL.V2-08	WHEEL,CASTOR (75x10x30x100)
9	SCB810.SB	SOCKET HEAD CAP SCREW M8x10 BLACK
10	SCB612.SB	SOCKET HEAD CAP SCREW M6x12 BLACK
11	2200HL.V2-11	RETAINING RING

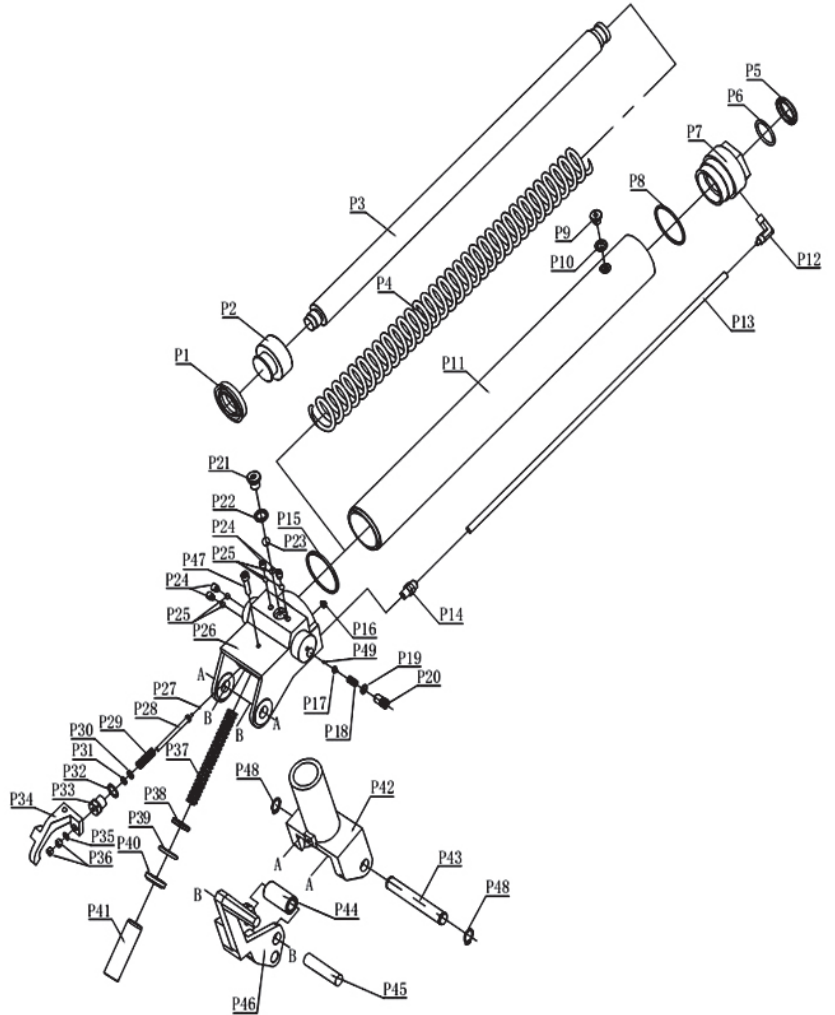
Item	Part No.	Description
12	2200HL.V2-12	LIFTING FRAME ASSMEBLY
13	2200HL.V2-13	RETAINING RING
14	2200HL.V2-14	WHEEL, FIXED (75x20x43)
15	2200HL.V2-15	BASE FRAME ASSEMBLY
16	2200HL.V2-16	SADDLE HOLDER
17	BHSS625.SB	BUTTON HEAD SOCKET SCREW M6x25 BLACK
18	2200HL.V2-18	HYDRAULIC UNIT
19	2200HL.V3-19	LINK ARM (BLACK)
20	2200HL.V2-20	SADDLE ASS'Y

NOTE: It is our policy to continually improve products and as such we reserve the right to alter data, specifications and component parts without prior notice.

IMPORTANT: No liability is accepted for incorrect use of product.

WARRANTY: Guarantee is 12 months from purchase date, proof of which will be required for any claim.

Item	Part No.	Description
P1	2200HL.V2-P01	U-RING
P2	2200HL.V2-P02	PISTON
P3	2200HL.V2-P03	PISTON ROD
P4	2200HL.V2-P04	SPRING
P5	2200HL.V2-P05	DUST RING
P6	2200HL.V2-P06	O-RING
P7	2200HL.V2-P07	RAM COVER
P8	2200HL.V2-P08	O-RING
P9	2200HL.V2-P09	SCREW
P10	2200HL.V2-P10	SEAL WASHER BLACK M10
P11	2200HL.V2-P11	CYLINDER
P12	2200HL.V2-P12	JOINT
P13	2200HL.V2-P13	PU HOSE
P14	2200HL.V2-P14	JOINT
P15	2200HL.V2-P15	NYLON RING
P16	2200HL.V2-P16	FILTER
P17	2200HL.V2-P17	STEEL BALL SEAT
P18	2200HL.V2-P18	SPRING
P19	2200HL.V2-P19	O-RING
P20	2200HL.V2-P20	VALVE SEAT
P21	2200HL.V2-P21	SCREW
P22	2200HL.V2-P22	SEAL WASHER M12
P23	SB-9.5	STEEL BALL 9.5mm
P24	2200HL.V2-P24	SCREW
P25	SB-6.6	STEEL BALL 6.6mm
P26	2200HL.V2-P26	PUMP BODY
P27	SB-2.5	STEEL BALL 2.5mm
P28	2200HL.V2-P28	UNLOADER VALVE ROD
P29	2200HL.V2-P29	SPRING
P30	2200HL.V2-P30	SPACER
P31	2200HL.V2-P31	O-RING
P32	2200HL.V2-P32	COPPER WASHER M14
P33	2200HL.V2-P33	VALVE SEAT
P34	2200HL.V2-P34	UNLOADER PLATE
P35	FWM5.S	FLAT WASHER M5 SINGLE
P36	SN5.S	STEEL NUT M5 ZINC DIN934 (SINGLE)
P37	2200HL.V2-P37	SPRING
P38	2200HL.V2-P38	U-CUP SEAL 22*30*5
P39	2200HL.V2-P39	O-RING
P40	2200HL.V2-P40	DUST RING
P41	2200HL.V2-P41	PUMP PISTON
P42	2200HL.V2-P42	HANDLE SOCKET
P43	2200HL.V2-P43	PIN, HANDLE SOCKET



Item	Part No.	Description
P44	2200HL.V2-P44	SPACER, HANDLE SOCKET
P45	2200HL.V2-P45	PIN, PEDAL
P46	2200HL.V2-P46	PEDAL
P47	SCB620.SB	SOCKET HEAD CAP SCREW M6x20 BLACK
P48	2200HL.V2-P48	RETAINING RING
P49	SB-3.0	STEEL BALL 3.0mm
--	2200HL.V2-RK	REPAIR KIT (not shown)

NOTE: It is our policy to continually improve products and as such we reserve the right to alter data, specifications and component parts without prior notice.

IMPORTANT: No liability is accepted for incorrect use of product.

WARRANTY: Guarantee is 12 months from purchase date, proof of which will be required for any claim.