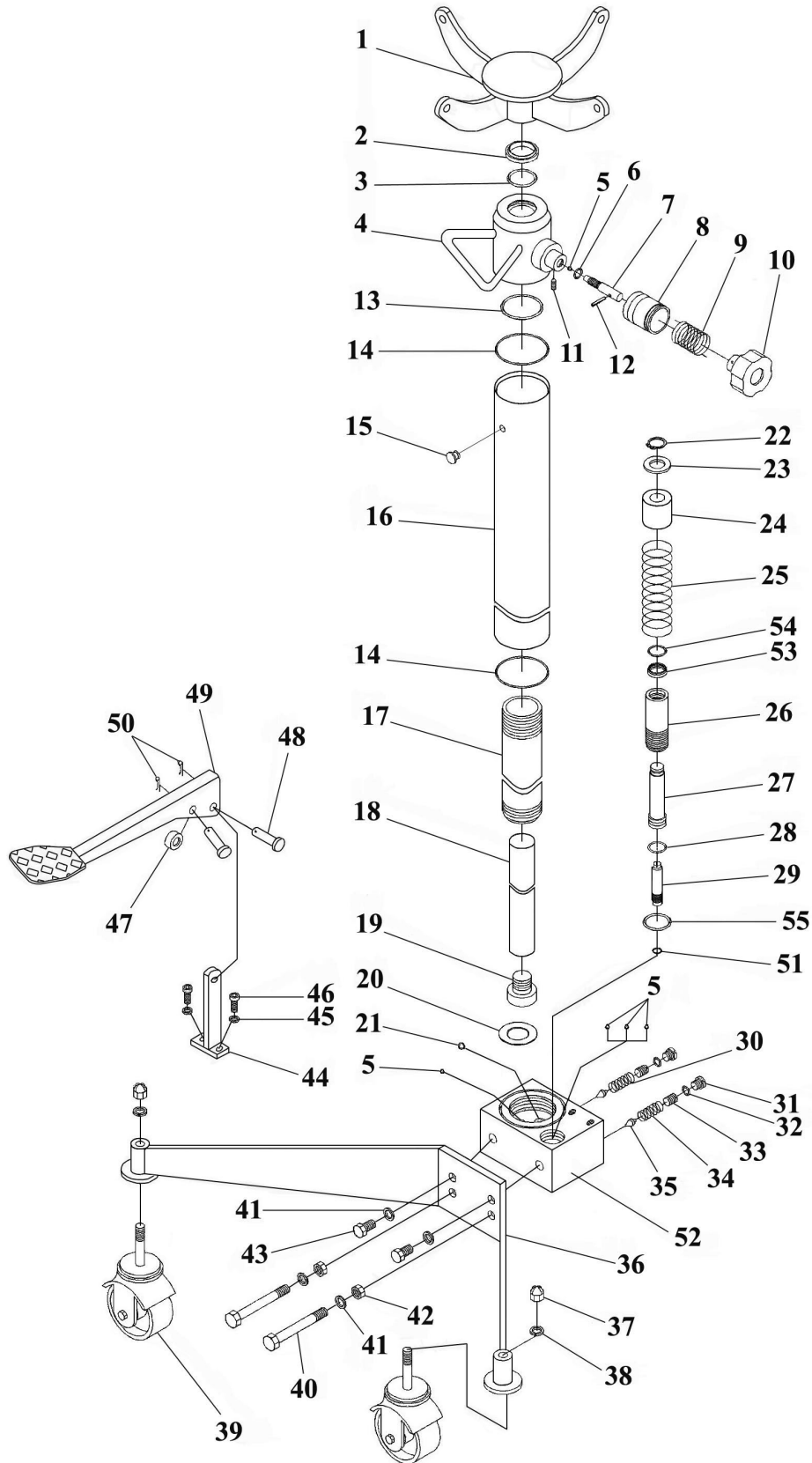




Parts Information:  
Transmission Jack 0.3tonne Vertical Quick  
Lift  
Model No: 300TRQ.V2



**NOTE:** It is our policy to continually improve products and as such we reserve the right to alter data, specifications and component parts without prior notice.

**IMPORTANT:** No liability is accepted for incorrect use of product.

**WARRANTY:** Guarantee is 12 months from purchase date, proof of which will be required for any claim.

Sealey Group, Kempson Way, Suffolk Business Park, Bury St Edmunds, Suffolk. IP32 7AR



01284 757500



01284 703534



sales@sealey.co.uk



www.sealey.co.uk



Parts Information:  
Transmission Jack 0.3tonne Vertical Quick  
Lift  
Model No: 300TRQ.V2

Item	Part No.	Description
1	300TRQ.V2-01	FORK
2	300TRQ.V2-02	OIL WIPER SEAL
3	300TRQ.V2-03	O-RING
4	300TRQ.V2-04	CYLINDER HEAD ASS'Y
5	SB-6.0	STEEL BALL 6.0mm
6	300TRQ.V2-06	O-RING
7	300TRQ.V2-07	RELEASE ROD
8	300TRQ.V2-08	BUSH
9	300TRQ.V2-09	SPRING
10	300TRQ.V2-10	RELEASE KNOB
11	GSM58.S	GRUB SCREW M5x8 (SINGLE)
12	300TRQ.V2-12	SPRING PIN M4X24
13	300TRQ.V2-13	O-RING
14	300TRQ.V2-14	O-RING
15	1000TRQ.V2-15	OIL FILLER PLUG
16	300TRQ.V2-16	OIL RESERVOIR
17	300TRQ.V2-17	CYLINDER
18	300TRQ.V2-18	PISTON ROD
19	300TRQ.V2-19	PISTON SCREW
20	300TRQ.V2-20	STEEL SEAL
21	SB-8.0	STEEL BALL 8.0mm
22	300TRQ.V2-22	RETAINING RING
23	300TRQ.V2-23	REPAIR WASHER M16X56
24	300TRQ.V2-24	BUSH
25	300TRQ.V2-25	SPRING
26	300TRQ.V2-26	PUMP CYLINDER
27	300TRQ.V2-27	OUTER PUMP PISTON
28	300TRQ.V2-28	O-RING

Item	Part No.	Description
29	300TRQ.V2-29	INNER PUMP PISTON
30	300TRQ.V2-30	OVERLOAD SPRING
31	300TRQ.V2-31	SCREW
32	300TRQ.V2-32	O-RING
33	300TRQ.V2-33	SCREW
34	300TRQ.V2-34	QUICK LIFT SPRING
35	300TRQ.V2-35	TAPER VALVE
36	300TRQ.V2-36	LEG
37	SN12.SD	STEEL NUT M12 DOMED (SINGLE)
38	2050CXL/36	BLK SPLIT WASHER M12
39	600TRQ.V2-39	WHEEL,CASTOR (78x10x32x108)
40	HHB10120.S	HEX HEAD BOLT M10x120mm SINGLE
41	SWM10.SB	SPRING WASHER M10 BLACK(SINGLE)
42	SN10.S	STEEL NUT M10 ZINC DIN934(SINGLE)
43	SS1020.S	HEX HEAD SET SCREW M10x20mm SINGLE
44	300TRQ.V2-44	LINKAGE STAND
45	SWM8.SB	SPRING WASHER M8 BLACK(SINGLE)
46	SCB825.S	SOCKET CAP BOLT ZINC M8X25
47	300TRQ.V2-47	PEDAL BEARING BUSH
48	300TRQ.V2-48	PIN
49	300TRQ.V2-49	PUMP PEDAL
50	300TRQ.V2-50	R-RING
51	300TRQ.V2-51	O-RING
52	300TRQ.V2-52	PUMP BASE
53	300TRQ.V2-53	U CUP SEAL (UN30 38 7)
54	300TRQ.V2-54	O-RING
55	300TRQ.V2-55	O-RING

**NOTE:** It is our policy to continually improve products and as such we reserve the right to alter data, specifications and component parts without prior notice.

**IMPORTANT:** No liability is accepted for incorrect use of product.

**WARRANTY:** Guarantee is 12 months from purchase date, proof of which will be required for any claim.

Sealey Group, Kempson Way, Suffolk Business Park, Bury St Edmunds, Suffolk. IP32 7AR



01284 757500



01284 703534



sales@sealey.co.uk



www.sealey.co.uk