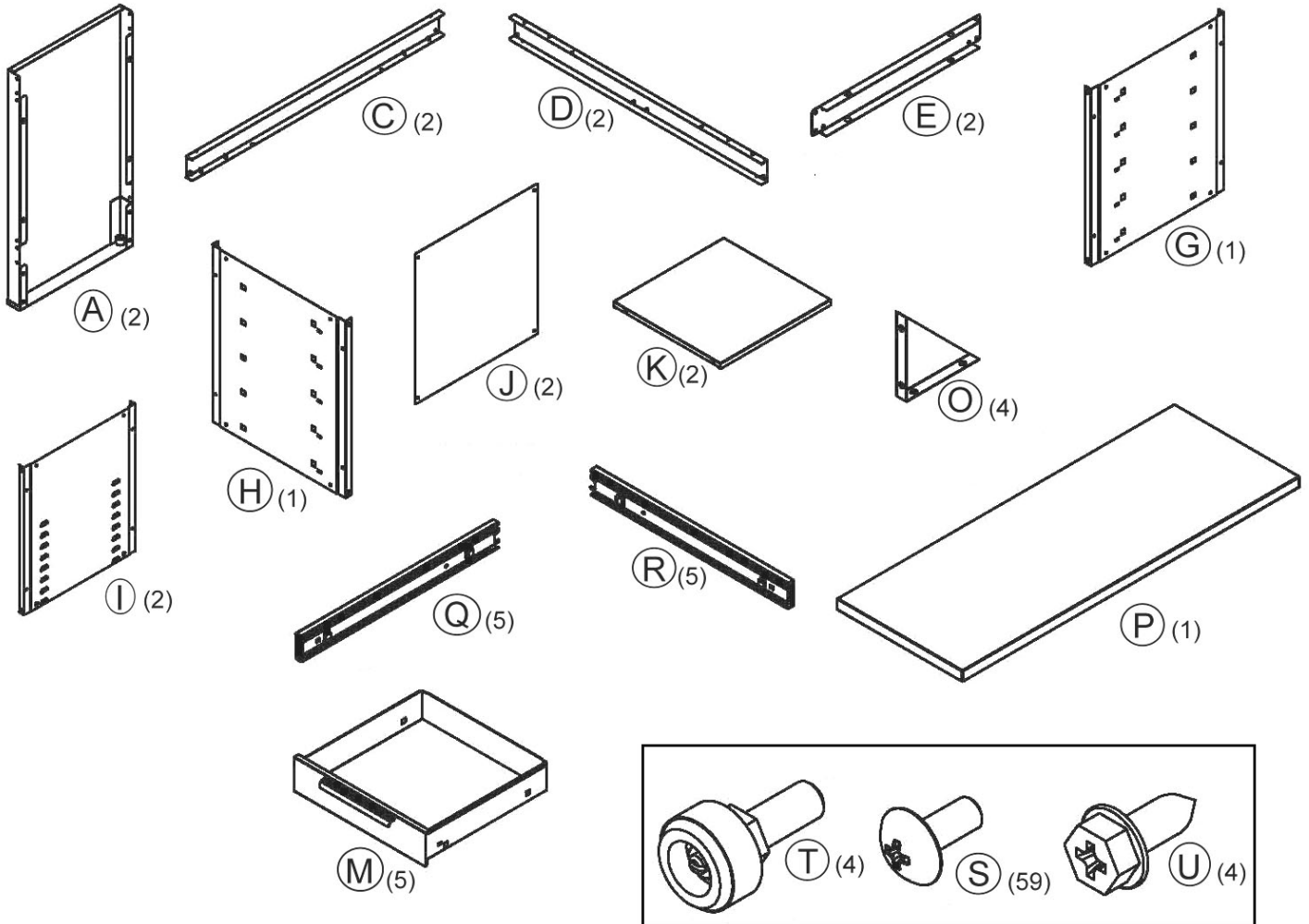


Parts Information:  
**Workbench with 5 Drawers Ball Bearing Slides Heavy-Duty**  
**Model No: AP2030BB**



| Item | Part No.   | Description      |
|------|------------|------------------|
| A    | AP2030BB.A | SIDE PANEL       |
| C    | AP2030BB.C | BOTTOM RAIL      |
| D    | AP2030BB.D | TOP RAIL         |
| E    | AP2030BB.E | CENTRE SUPPORT   |
| G    | AP2030BB.G | LEFT SIDE PANEL  |
| H    | AP2030BB.H | RIGHT SIDE PANEL |
| I    | AP2030BB.I | SUPPORT PANEL    |
| J    | AP2030BB.J | BACK PANEL       |
| K    | AP2030BB.K | SHELF 450X440X20 |

| Item | Part No.   | Description            |
|------|------------|------------------------|
| M    | AP2050BB.M | DRAWER                 |
| O    | AP2030I    | CORNER BRACE           |
| P    | AP2030BB.P | WOODEN TOP             |
| Q    | AP2030BB.Q | LEFT SIDE RUNNER       |
| R    | AP2030BB.R | RIGHT SIDE RUNNER      |
| S    | AP2030BB.S | SCREW (M5x12)          |
| T    | AP2030BB.T | ADJUSTABLE LEG LEVELER |
| U    | AP2030BB.U | HEX HEAD SCREW 5/8"    |

**NOTE:** It is our policy to continually improve products and as such we reserve the right to alter data, specifications and component parts without prior notice.

**IMPORTANT:** No liability is accepted for incorrect use of product.

**WARRANTY:** Guarantee is 12 months from purchase date, proof of which will be required for any claim.