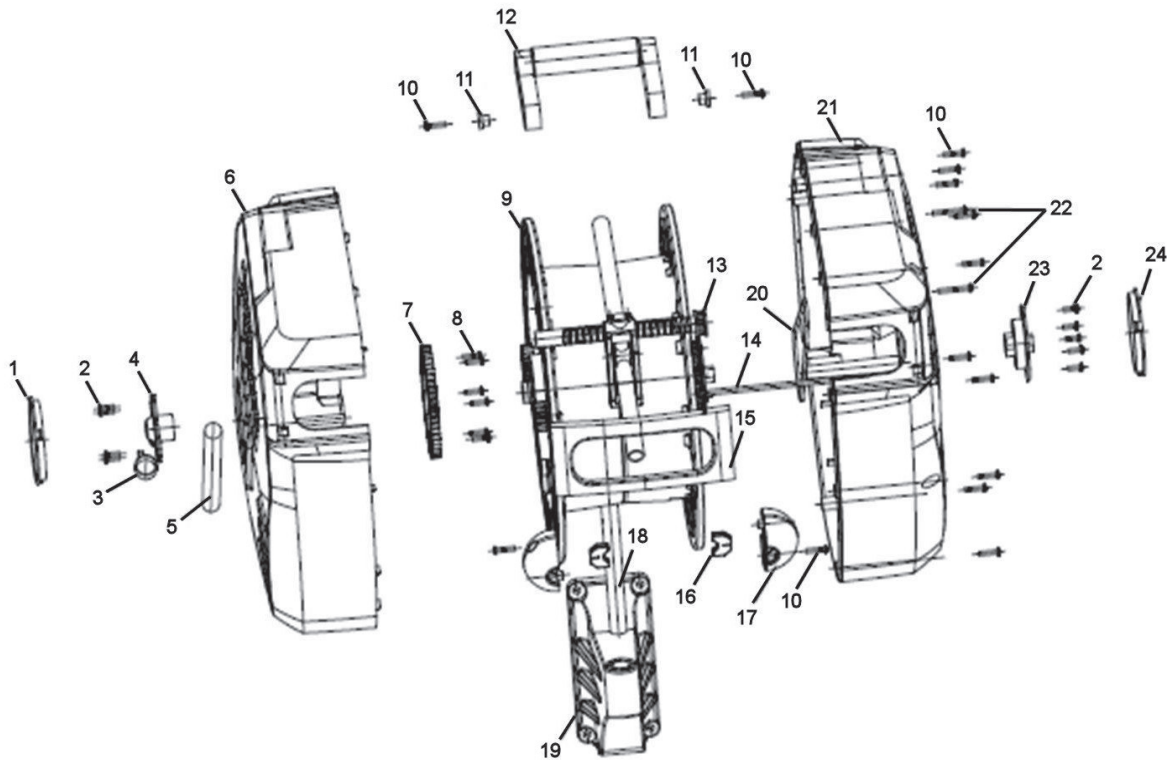




Parts Information:
Air Hose Reel Auto Rewind Control 15mtr
Ø10mm ID - Rubber Hose
Model No: SA822.V2



Item	Part No.	Description
1	SA822.V2-01	SIDE COVER (LEFT)
2	SA822.V2-02	SCREW M4 X 10
3	SA822.V2-03	HOSE CLIP
4	SA822.V2-04	INLET
5	SA822.V2-05	INLET HOSE
6	SA822.V2-06	LEFT CASING ASSEMBLY
7	SA822.V2-07	GEAR (BIG)
8	SA822.V2-08	SCREW ST4 X 15
9	SA822.V2-09	DRUM ASSEMBLY
10	SA822.V2-10	SCREW ST4 X 18
11	SA822.V2-11	WASHER FOR HANDLE
12	SA822.V2-12	HANDLE
13	SA822.V2-13	HOSE GUIDE SYSTEM

Item	Part No.	Description
14	SA822.V2-14	GUIDE PIVOT
15	SA822.V2-15	FRONT COVER
16	SA824.V2-19	BUSHING
17	SA824.V2-20	BALL STOP
18	SA822.V2-18	STAINLESS TUBE
19	SA822.V2-19	MOUNTING BRACKET ASSEMBLY
20	SA822.V2-20	BELT
21	SA822.V2-21	RIGHT CASING ASSEMBLY
22	SA822.V2-22	SCREW ST4 X 30
23	SA822.V2-23	PRELOAD WHEEL
24	SA822.V2-24	RIGHT SIDE COVER
25	SA822.V2-25	SLOW RETURN ASSEMBLY
26	SA823.V2-30	FREE STOP ASSEMBLY

NOTE: It is our policy to continually improve products and as such we reserve the right to alter data, specifications and component parts without prior notice.

IMPORTANT: No liability is accepted for incorrect use of product.

WARRANTY: Guarantee is 12 months from purchase date, proof of which will be required for any claim.

Sealey Group, Kempson Way, Suffolk Business Park, Bury St Edmunds, Suffolk. IP32 7AR



01284 757500



01284 703534



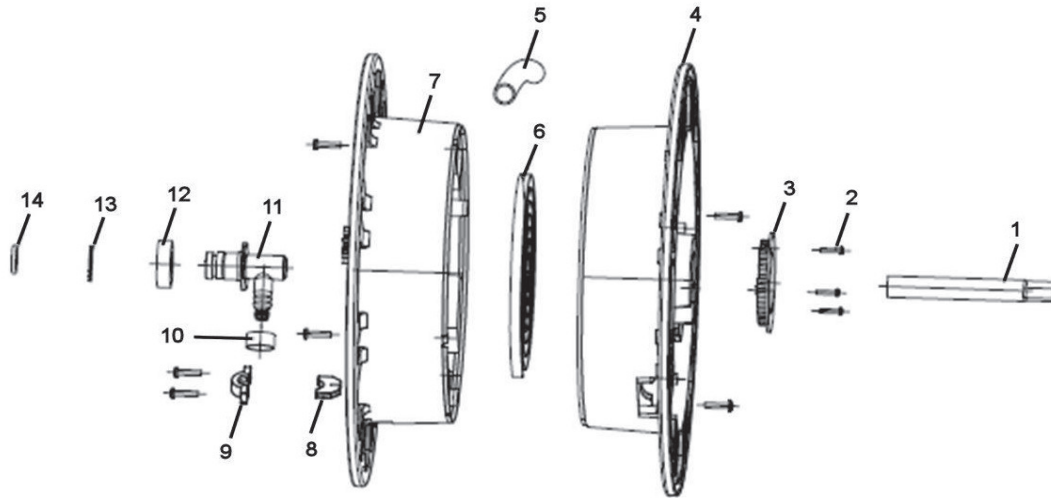
sales@sealey.co.uk



www.sealey.co.uk

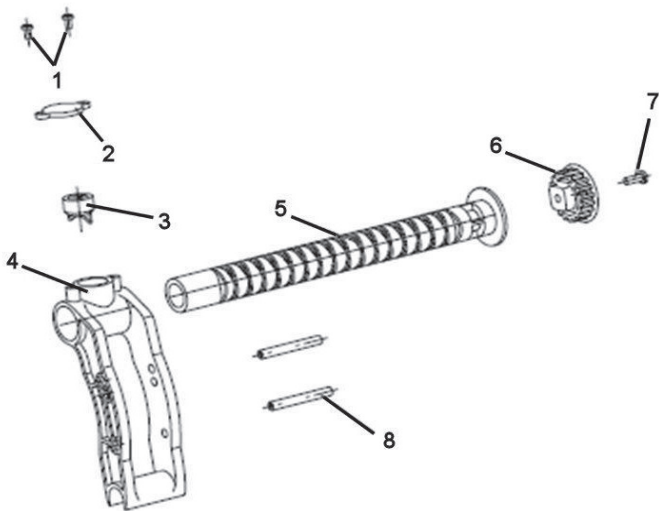


Parts Information:
Air Hose Reel Auto Rewind Control 15mtr
Ø10mm ID - Rubber Hose
Model No: SA822.V2



Item	Part No.	Description
1	SA822V2.02-01	MAIN SHAFT
2	SA822V2.02-02	SCREW ST4X18
3	SA822V2.02-03	GEAR WHEEL (LARGE)
4	SA822V2.02-04	DRUM
5	SA822V2.02-05	OUTPUT HOSE
6	SA822V2.02-06	MAIN SPRING
7	SA822V2.02-07	FREE STOP ASSEMBLY

Item	Part No.	Description
8	SA822V2.02-08	BUSHING
9	SA822V2.02-09	HOSE SUPPORT
10	SA822V2.02-10	HOSE CLIP
11	SA822V2.02-11	OUTLET FITTING
12	SA822V2.02-12	THRUST BEARING
13	SA822V2.02-13	SMALL SPRING
14	SA822V2.02-14	SEAL RING



Item	Part No.	Description
1	SA822V2.03-01	SCREW ST3X6
2	SA822V2.03-02	COVERING PLATE OF INVERTING BLOCK
3	SA822V2.03-03	INVERTING BLOCK
4	SA822V2.03-04	HOSE GUIDE SEAT
5	SA822V2.03-05	THREADED TUBE
6	SA822V2.03-06	GEAR WHEEL (SMALL)
7	SA822V2.03-07	SCREW ST4X10
8	SA822V2.03-08	RIVET

NOTE: It is our policy to continually improve products and as such we reserve the right to alter data, specifications and component parts without prior notice.

IMPORTANT: No liability is accepted for incorrect use of product.

WARRANTY: Guarantee is 12 months from purchase date, proof of which will be required for any claim.

Sealey Group, Kempson Way, Suffolk Business Park, Bury St Edmunds, Suffolk. IP32 7AR



01284 757500



01284 703534

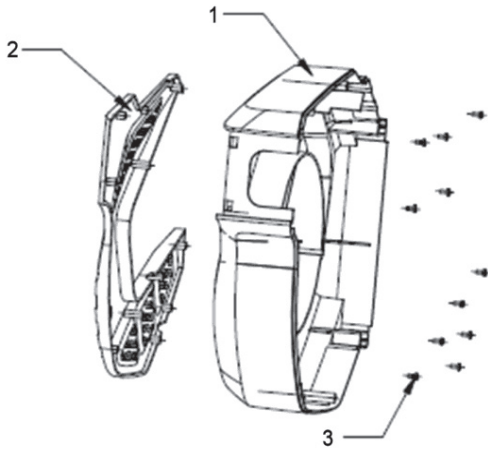


sales@sealey.co.uk

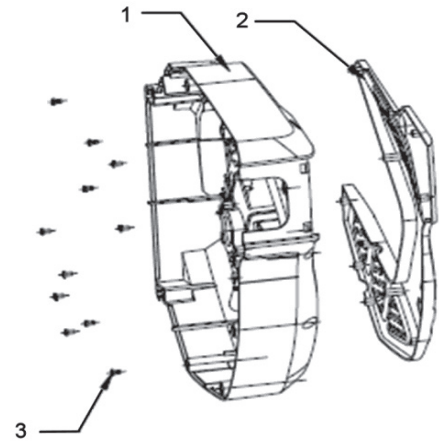


www.sealey.co.uk

Parts Information:
Air Hose Reel Auto Rewind Control 15mtr
Ø10mm ID - Rubber Hose
Model No: SA822.V2

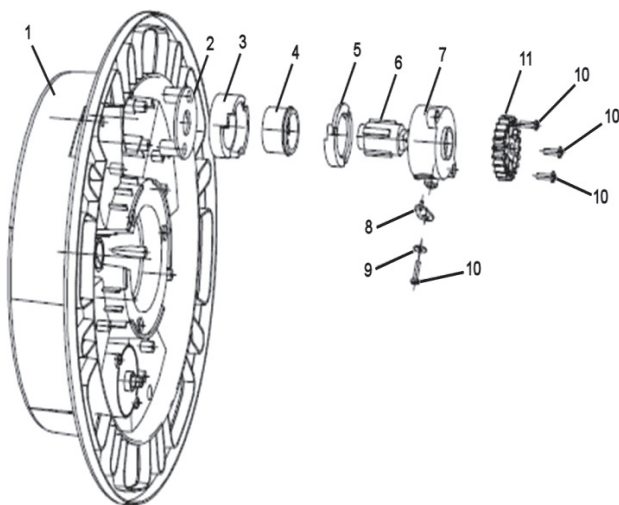
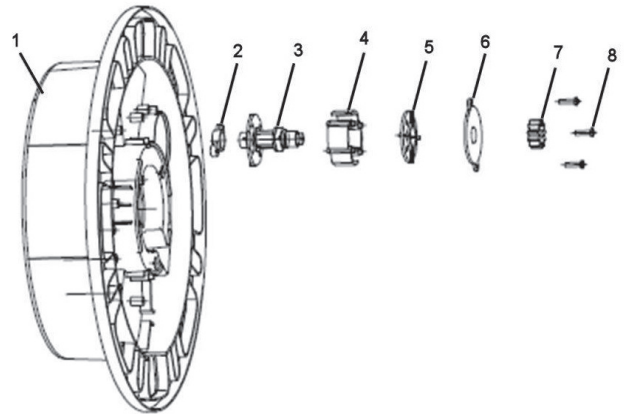


Item	Part No.	Description
1	SA822V2.05-01	LEFT CASING
2	SA822V2.05-02	LEFT OUTSIDE CASING
3	SA822V2.05-03	SCREW ST3X6



Item	Part No.	Description
1	SA822V2.04-01	RIGHT CASING
2	SA822V2.04-02	RIGHT OUTSIDE CASING
3	SA822V2.04-03	SCREW ST3X6

Item	Part No.	Description
1	SA822V2.06-01	DRUM
2	SA823V2.06-02	SHAFT CLIP
3	SA822V2.06-03	SHAFT
4	SA822V2.06-04	SHAFT SUPPORT (SET OF 4)
5	SA822V2.06-05	FIXING PLATE
6	SA824V2.06-06	COVER
7	SA822V2.06-07	SMALL GEAR WHEEL
8	SA822V2.06-08	SCREW ST4X18



Item	Part No.	Description
1	SA823V2.07-01	DRUM
2	SA823V2.07-02	BOTTOM SUPPORT
3	SA823V2.07-03	LOCK BODY
4	SA823V2.07-04	LOCK CYLINDER
5	SA823V2.07-05	LOCK COVER
6	SA823V2.07-06	SHAFT
7	SA823V2.07-07	OUTER CASING
8	SA823V2.07-08	FIXING PLATE
9	SA823V2.07-09	WASHER
10	SA823V2.07-10	SCREW ST4X18
11	SA823V2.07-11	GEAR WHEEL

NOTE: It is our policy to continually improve products and as such we reserve the right to alter data, specifications and component parts without prior notice.

IMPORTANT: No liability is accepted for incorrect use of product.

WARRANTY: Guarantee is 12 months from purchase date, proof of which will be required for any claim.