



# TROLLEY JACK 5TONNE LONG REACH

MODEL NO: 5001.V3

Thank you for purchasing a Sealey product. Manufactured to a high standard, this product will, if used according to these instructions, and properly maintained, give you years of trouble free performance.

**IMPORTANT:** PLEASE READ THESE INSTRUCTIONS CAREFULLY. NOTE THE SAFE OPERATIONAL REQUIREMENTS, WARNINGS & CAUTIONS. USE THE PRODUCT CORRECTLY AND WITH CARE FOR THE PURPOSE FOR WHICH IT IS INTENDED. FAILURE TO DO SO MAY CAUSE DAMAGE AND/OR PERSONAL INJURY AND WILL INVALIDATE THE WARRANTY. KEEP THESE INSTRUCTIONS SAFE FOR FUTURE USE.



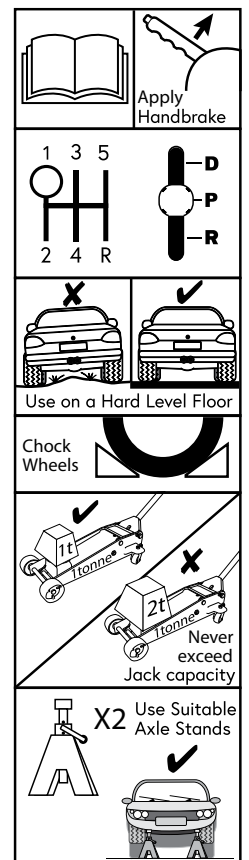
Refer to instruction manual



Wear protective footwear

## 1. SAFETY

- ✓ Ensure the jack is in sound condition and good working order. Take action for immediate repair or replacement of damaged parts.
- ✓ Use genuine parts only. The use of unauthorised parts may be dangerous and will invalidate the warranty.
- ✓ Locate the jack in a suitable, well lit work area.
- ✓ Keep work area clean and tidy and free from unrelated materials.
- ✓ Use jack on level and solid ground, preferably concrete. Avoid tarmac as jack may sink in.
- ✓ Place chocks under wheels of vehicle (but ensure wheels of jack can move freely).
- ✓ Ensure the vehicle handbrake is engaged, engine is switched off and transmission is in gear ("PARK" if automatic).
- ✓ Ensure minimum distance of 0.5m between vehicle and static objects such as doors, walls etc. to allow for vehicle tilting.
- ✓ Ensure there are no passengers in the vehicle.
- ✓ Ensure all non-essential persons keep a safe distance whilst the jack is in use.
- ✓ Only place jack under those lifting points recommended by vehicle manufacturer (refer to vehicle handbook).
- ✓ Check the lifting point is stable and centred on the jack saddle.
- ✓ Ensure the jack wheels are free to move and that there are no obstructions.
- ▲ **DANGER:** Use the jack for lifting only, **NOT** for supporting the lifted load.
- ✓ Use suitable capacity axle stands under the vehicle before proceeding with any task.
- ✓ Ensure there are no persons or obstructions beneath the vehicle before lowering.
- ✓ Use a qualified person to maintain or repair the jack hydraulic system.
- ✗ **DO NOT** operate the jack if damaged.
- ✗ **DO NOT** operate the jack when tired or under the influence of alcohol, drugs or intoxicating medication.
- ✗ **DO NOT** allow untrained persons to operate the jack.
- ✗ **DO NOT** exceed the rated capacity of the jack.
- ✗ **DO NOT** allow the vehicle to move while supported by the jack, or use the jack to move the vehicle.
- ✗ **DO NOT** jack vehicle if there is a risk of spillage of fuel, battery acid, or other dangerous substances.
- ✗ **DO NOT** work under the vehicle until axle stands have been correctly positioned.
- ✗ **DO NOT** leave the jack handle locked in either the middle or lower locking positions when the jack is left unattended.
- ✗ **DO NOT** use the jack for purposes other than that for which it is designed.
- ✗ **DO NOT** top up hydraulic system with brake fluid. Use hydraulic jack oil only. (Sealey Part No. HJO500MLS or HJO5LS)
- ✗ **DO NOT** adjust the safety overload valve.
- ✓ When not in use store jack, fully lowered, in a safe, dry, childproof area.



## 2. INTRODUCTION

Heavy duty chassis with one-piece hydraulic unit. Handle mounted safety release, prevents inadvertent lowering. Includes large diameter saddle for easier positioning under the jacking point. Foot operated quick lift system. Fitted with safety overload valve. Fully CE approved for general workshop applications.

## 3. SPECIFICATION

Model no .....	5001.V3
Capacity .....	5tonne
Length .....	1505mm
Max. chassis height .....	200mm
Max. saddle height .....	560mm
Min. saddle height .....	150mm
Weight .....	87kg
Consumables	
Rubber jack pad .....	JP10

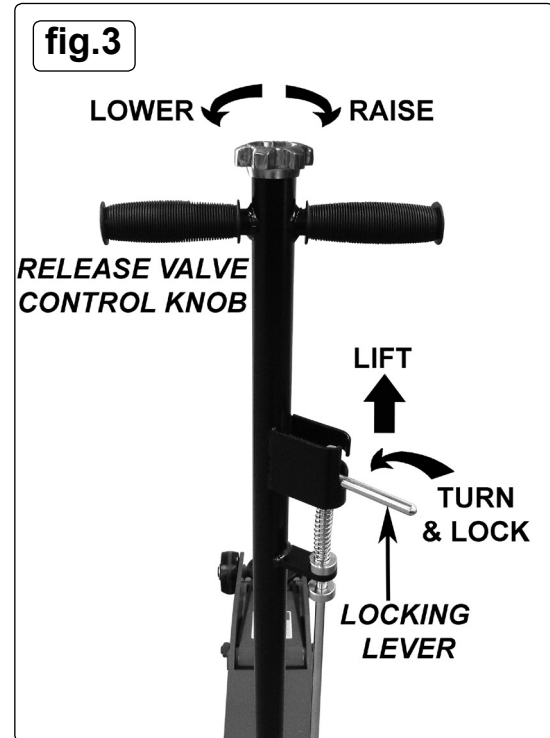
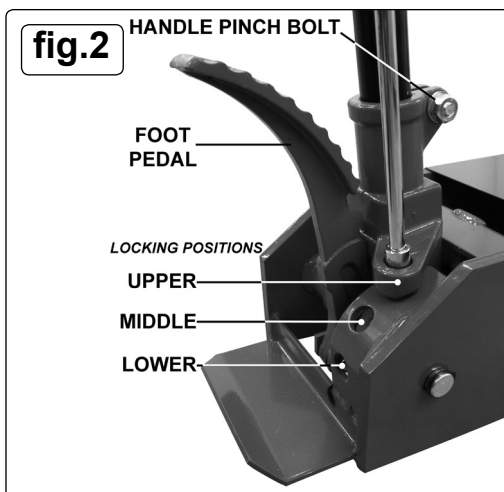
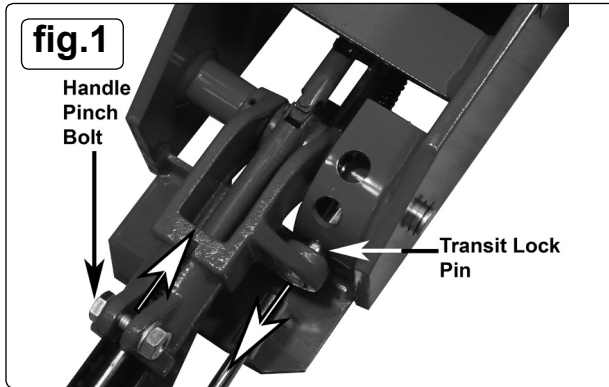
## 4. PREPARATION

### 4.1. ASSEMBLY

- ❑ **WARNING:** It requires two persons to lift the jack from its packing case.
- 4.2. Fit the handle part-way into the handle socket to hold the socket down. Remove the transit lock pin by pushing out with a long screwdriver inserted through the upper locking socket and then pulling the pin free, (fig.1).
- 4.3. When freed, raise the handle assembly to the vertical position. Push the handle assembly into the handle socket fully so that the locking position control rod passes through the bracket and locates into the upper handle locking position (fig.1). Locate the release valve square drive into the drive socket. Secure with the handle pinch bolt (fig.1); test the operation and function of the release valve control knob before use.

### 4.4. BLEEDING

- 4.4.1. Before using the jack for the first time, bleed the hydraulic circuit in order to eliminate any air from the system. To do this, open the release valve by rotating the release valve control knob anticlockwise (fig.2). Pump the foot pedal through its full travel 20 times. Rotate the release valve control knob clockwise.



## 5. OPERATION

### 5.1. PREPARATION

- ❑ **WARNING! Before lifting, ensure that you have read, understood and apply Section 1 safety instructions.**
- 5.1.1. Prepare vehicle as described in safety instructions ensuring the ground on which jack is to stand is level and solid (not tarmacadam). We recommend concrete.
- 5.1.2. To manoeuvre the jack, ensure that the jack handle is locked in one of the upper, middle or lower locking positions (fig.2). To lock the jack handle, turn the locking lever clockwise until it releases from the housing and locks in the desired position (fig.3).
- 5.1.3. With the jack handle locked, position the jack saddle under the vehicle manufacturer's recommended lifting point (refer to vehicle handbook).
- 5.1.4. Use the jack handle locked in either the middle or lower locking positions when manoeuvring the jack saddle to jacking points that are located further underneath larger vehicles.

### 5.2. RAISING THE VEHICLE

- 5.2.1. Ensure that the jack and the vehicle are on a hard level surface.
- 5.2.2. Always ensure that the vehicle handbrake is engaged and the vehicle wheels are chocked.
- 5.2.3. Consult the vehicle handbook to determine the position of the jacking points.
- 5.2.4. Unlock the jack handle by lifting the locking lever and rotating it anticlockwise until it sits in the locking lever housing.
- 5.2.5. Turn the release valve control knob clockwise. **DO NOT** over-tighten. The jack saddle may be raised up to the load quickly using the foot pedal. **DO NOT** attempt to raise the load with the foot pedal.
- 5.2.6. Pump the jack handle through its full stroke until the vehicle reaches the required height.
- 5.2.7. Place axle stands beneath the locations recommended by the vehicle manufacturer.
- 5.2.8. Turn the release valve control knob anticlockwise to lower the vehicle onto the axle stands.

### 5.3. LOWERING A VEHICLE

- 5.3.1. Rotate the release valve control knob clockwise.
- 5.3.2. Raise the vehicle off the axle stands.
- 5.3.3. Remove the axle stands from beneath the vehicle.

- 5.3.4. Rotate the release valve control knob slowly anticlockwise.  
 **SAFETY WARNING!** *Always lower in a slow and controlled manner and ensure that there are no persons or obstacles beneath the vehicle, or in the path of descent.*
- 5.3.5. Withdraw the jack from underneath the vehicle and lock the handle in the upper locking position.

## 6. MAINTENANCE

**IMPORTANT:** Only fully qualified personnel should attempt maintenance or repair.

### 6.1. MONTHLY MAINTENANCE

- 6.1.1. Lubrication is critical to jacks, since they support heavy loads. To keep the jack well lubricated, carry out the following steps:  
Lubricate the ram, the linkages, the saddle and pump mechanism with light oil.  
Grease the lifting arm, wheel bearings and axles.  
Keep all jack surfaces and warning labels clean.  
Check and maintain the ram oil level (Section 6.3).

### 6.2. THREE MONTHLY MAINTENANCE

- 6.2.1. At three monthly intervals, check the ram for any signs of rust or corrosion. Clean the ram as required and wipe with an oiled cloth.

### 6.3. CHECKING THE OIL LEVEL

- 6.3.1. Fully retract the ram by turning the release valve control knob anticlockwise.  
6.3.2. With the jack in the level position, remove the top cover carefully.  
6.3.3. Remove the oil filler plug.  
6.3.4. The oil should be level with the bottom of the oil filler hole. If it is not, top up with clean hydraulic jack oil (Sealey Part No: HJO500MLS or HJO5LS).  
6.3.5. Replace the oil filler plug and check the jack operation.  
6.3.6. Bleed air from the hydraulic unit as required (Section 4.4).

**NOTE:** Always store the jack in the fully lowered position. This will protect critical areas from excessive corrosion.

**IMPORTANT: NO RESPONSIBILITY IS ACCEPTED FOR INCORRECT USE OF THIS PRODUCT.**

*Hydraulic products are only repaired by local service agents. We have service/repair agents in all parts of the UK.*

**DO NOT RETURN JACKS TO US.**

*Please telephone us on 01284 757500 to obtain the address and phone number of your local agent. If jack is under guarantee you can also contact your local stockist.*



### ENVIRONMENT PROTECTION

Recycle unwanted materials instead of disposing of them as waste. All tools, accessories and packaging should be sorted, taken to a recycling centre and disposed of in a manner which is compatible with the environment. When the product becomes completely unserviceable and requires disposal, drain any fluids (if applicable) into approved containers and dispose of the product and fluids according to local regulations.

**Note:** It is our policy to continually improve products and as such we reserve the right to alter data, specifications and component parts without prior notice.

**Important:** No Liability is accepted for incorrect use of this product.

**Warranty:** Guarantee is 12 months from purchase date, proof of which is required for any claim.

Sealey Group, Kempson Way, Suffolk Business Park, Bury St Edmunds, Suffolk. IP32 7AR



01284 757500



01284 703534



sales@sealey.co.uk



www.sealey.co.uk