

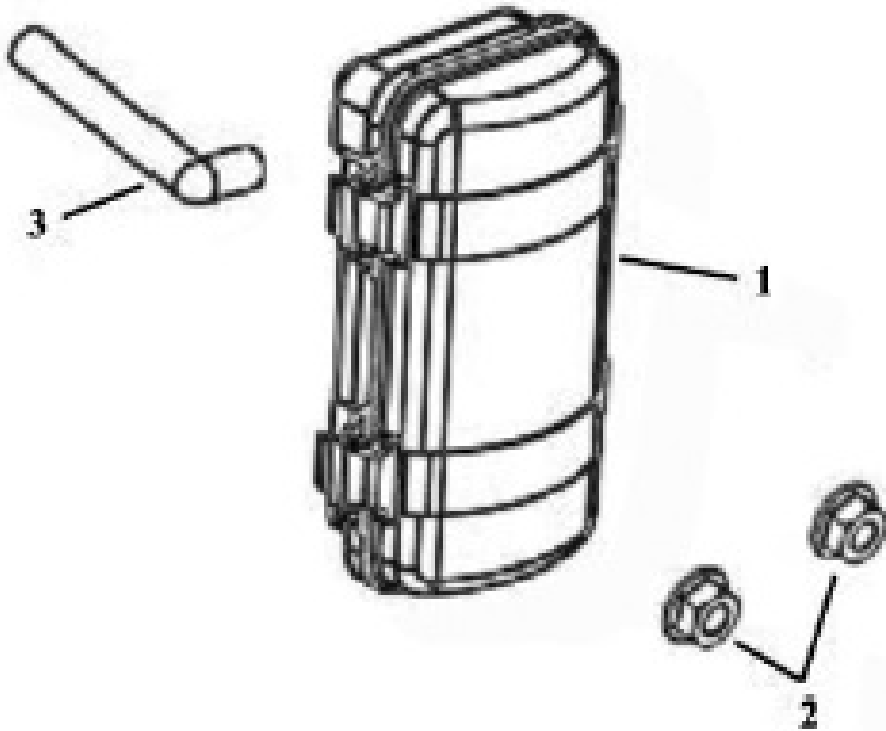
Item	Part No.	Description
1	GG2800.01	ENGINE
2	GG2800.02	WASHER MUFFLER
3	GG2800.03	MUFFLER
4	FWM8.S	FLAT WASHER M8 SINGLE
5	SWM8.S	SPRING WASHER M8 ZINC (SINGLE)
6	FN8.S	FLANGE NUT SERRATED M8 ZINC (SINGLE)
7	SFS820.S	HEX HEAD FLANGE BOLT M8x20 SINGLE
8	SWM8.S	SPRING WASHER M8 ZINC (SINGLE)
9	FWM8.S	FLAT WASHER M8 SINGLE
10	SN8.S	STEEL NUT M8 ZINC DIN934 (SINGLE)
11	SFS825.S	HEX HEAD FLANGE BOLT M8x25 SINGLE
12	GG2800.12	ALTERNATOR ASSY (NEW TYPE)
13	GG2800.13	SHOCK ABSORBER
14	FN8.S	FLANGE NUT SERRATED M8 ZINC (SINGLE)
15	GG2800.15	MUFFLER COVER
16	SFS612.S	HEX HEAD FLANGE BOLT M6x12 SINGLE
17	GG2800.17	MUFFLER COVER (SIDE)
18	SFS612.S	HEX HEAD FLANGE BOLT M6x12 SINGLE
19	GG2800.19	PANEL FOR CONTROL BOARD
20	GG2800.20	CONTROL PANEL ASS'Y
21	GG2800.21	PAN HEAD MACHINE SCREW M6X12
22	GG2800.22	FRAME
23	SFS612.S	HEX HEAD FLANGE BOLT M6x12 SINGLE
24	GG2800.24	EXT TOOTH WASHER M6
25	FN6.S	FLANGE NUT SERRATED M6 ZINC (SINGLE)

Item	Part No.	Description
26	GG2800.26	WIRE
27	HFC08.20	FLANGE BOLT M8X12
28	GG2800.28	GASKET
29	FN6.S	FLANGE NUT SERRATED M6 ZINC (SINGLE)
30	SFS612.S	HEX HEAD FLANGE BOLT M6x12 SINGLE
31	GG2800.31	UPPER SIDE BAR
32	SFS612.S	HEX HEAD FLANGE BOLT M6x12 SINGLE
33	GG2800.33	15L FUEL TANK
34	GG3800.32	FUEL SWITCH
35	GG2800.35	CLAMP
36	GG2800.36	8x20mm FUEL PIPE
37	GG2800.37	FUEL TANK CAP ASS'Y
38	GG2800.38	FILTER CUP
39	GG2800.39	CONTROL PANEL
40	MSC512.S	CSK PHILLIPS MACHINE SCREW M5x12 (SINGLE)
41	SFS625.S	HEX HEAD FLANGE BOLT M6x25 SINGLE
42	RW619.S	REPAIR WASHER M6x19 (SINGLE)
43	GG2800.43	SHOCK ABSORBER
44	FN6.S	FLANGE NUT SERRATED M6 ZINC (SINGLE)
45	SFS612.S	HEX HEAD FLANGE BOLT M6x12 SINGLE
46	GG2800.46	UPPER PANEL
--	GG2800.47	FRONT COVER (NOT SHOWN)
--	GG2800.48	ALTERNATOR END PLATE (NOT SHOWN)
--	GG2800.49	ALTERNATOR BOLTS (NOT SHOWN)

**NOTE:** It is our policy to continually improve products and as such we reserve the right to alter data, specifications and component parts without prior notice.

**IMPORTANT:** No liability is accepted for incorrect use of product.

**WARRANTY:** Guarantee is 12 months from purchase date, proof of which will be required for any claim.



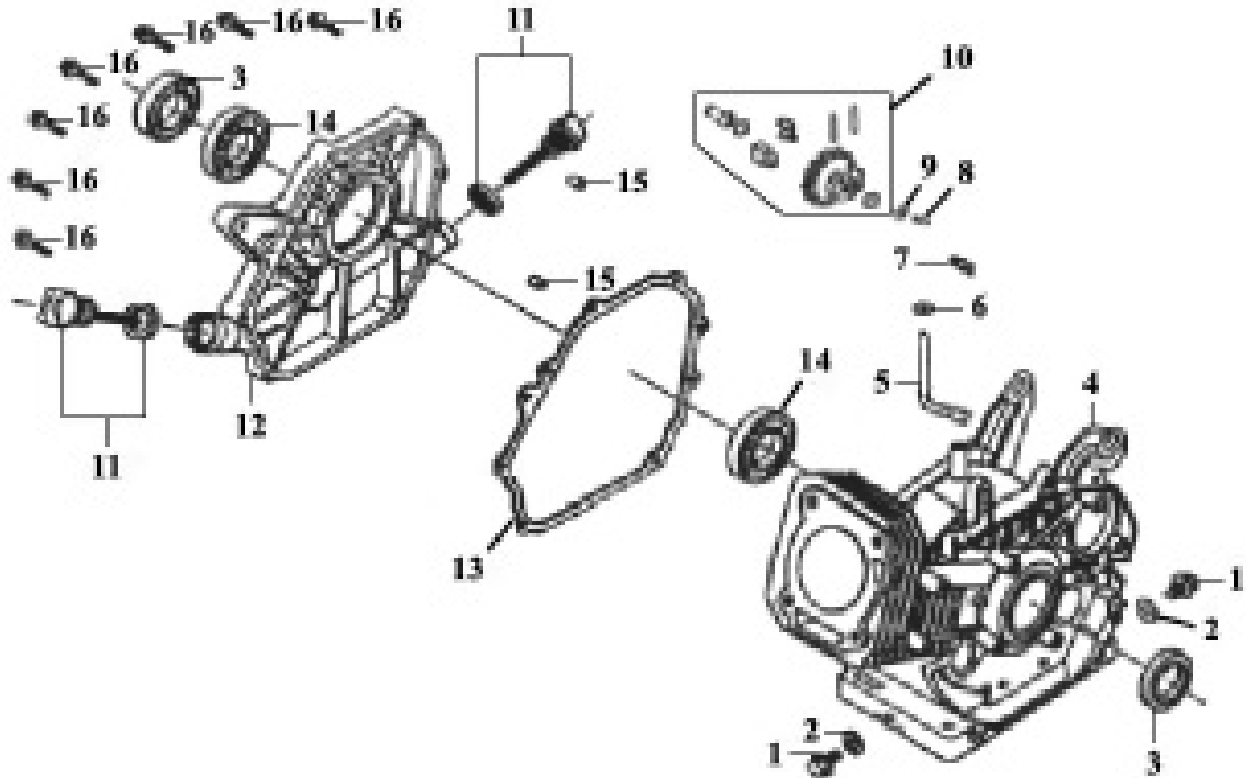
Item	Part No.	Description
1	GG2800.AC1	AIR CLEANER ASS'Y
2	FN6.S	FLANGE NUT SERRATED M6 ZINC (SINGLE)

Item	Part No.	Description
3	GG2800.AC3	AIR PIPE

**NOTE:** It is our policy to continually improve products and as such we reserve the right to alter data, specifications and component parts without prior notice.

**IMPORTANT:** No liability is accepted for incorrect use of product.

**WARRANTY:** Guarantee is 12 months from purchase date, proof of which will be required for any claim.



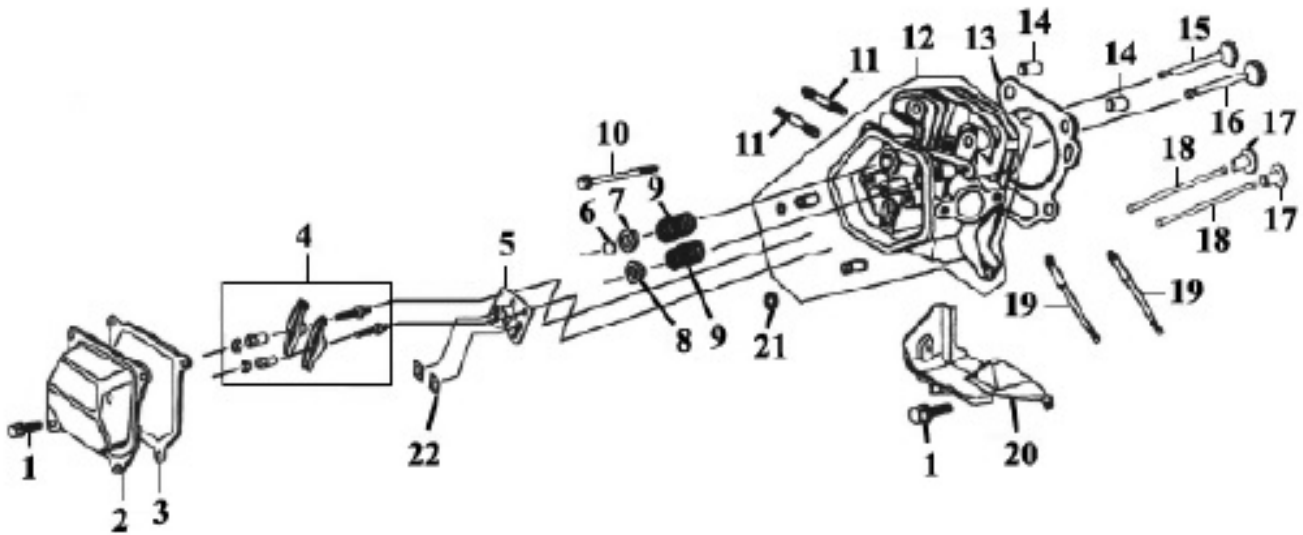
Item	Part No.	Description
1	GG2800.CC1	DRAIN PLUG
2	GG2800.CC2	COPPER WASHER, DRAIN PLUG
3	GG2800.CC3	OIL SEAL, CRANKSHAFT
4	GG2800.CC4	CRANKCASE
5	GG2800.CC5	REGULATING BAR
6	RW619.S	REPAIR WASHER M6x19 (SINGLE)
7	GG2800.CC7	SPLIT PIN
8	GG2800.CC8	REGULATING SHAFT

Item	Part No.	Description
9	GG2800.CC9	SNAP RING
10	GG2800.CC10	DRIVEN GEAR ASS'Y
11	GG2800.CC11	DIPSTICK WITH SEAL
12	GG2800.CC12	CRANKCASE COVER
13	GG2800.CC13	CRANKCASE GASKET
14	B/6205	BEARING 6205
15	GG2800.CC15	SET PIN 8x14
16	SFS860.S	HEX HEAD FLANGE BOLT M8x60 SINGLE (NOT SHOWN)

**NOTE:** It is our policy to continually improve products and as such we reserve the right to alter data, specifications and component parts without prior notice.

**IMPORTANT:** No liability is accepted for incorrect use of product.

**WARRANTY:** Guarantee is 12 months from purchase date, proof of which will be required for any claim.



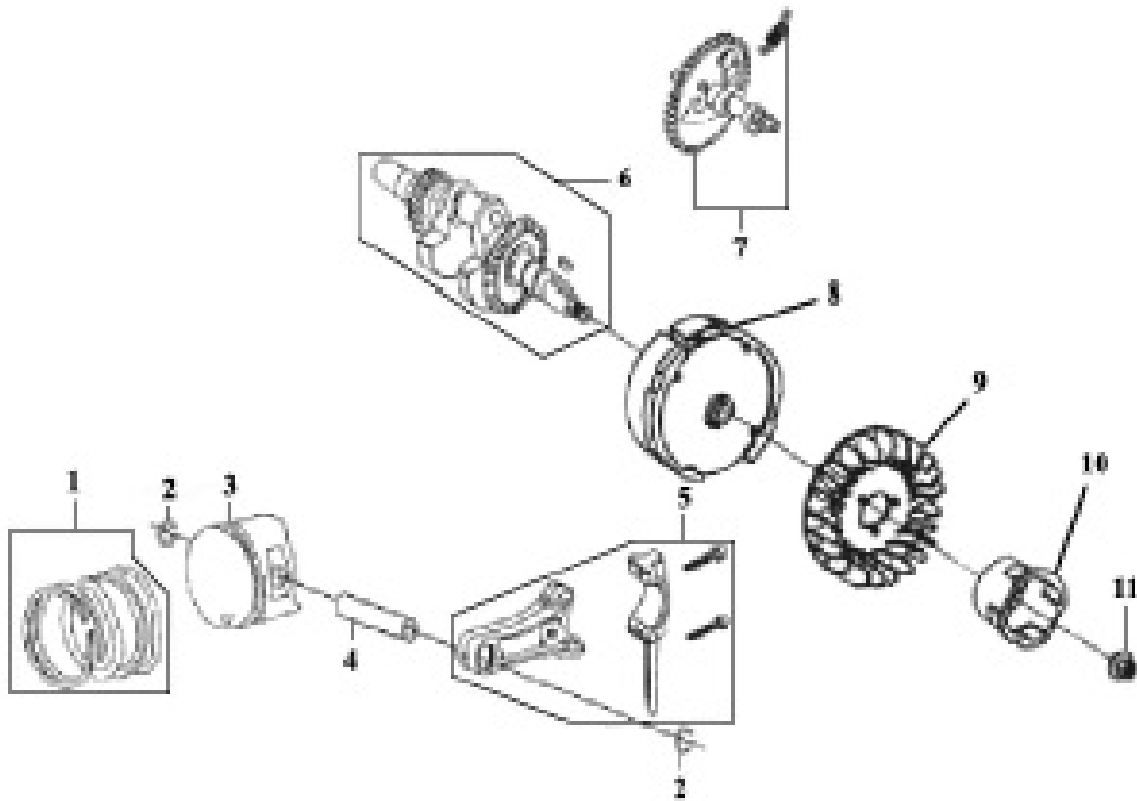
Item	Part No.	Description
1	SFS612.S	HEX HEAD FLANGE BOLT M6x12 SINGLE
2	GG2800.CH2	CYLINDER HEAD COVER
3	GG2800.CH3	GASKET, CYLINDER HEAD COVER
4	GG2800.CH4	VALVE ROCKER ASS'Y
5	GG2800.CH5	PUSH GUIDE
6	GG2800.CH6	CAP
7	GG2800.CH7	EXHAUST SPRING SEAT
8	GG2800.CH8	INTAKE SPRING SEAT
9	GG2800.CH9	VALVE SPRING (WITH NYLON BUTTON)
10	SFS834.S	HEX HEAD FLANGE BOLT M8x34 SINGLE
11	GG2800.CH11	STUD AM8x34

Item	Part No.	Description
12	GG2800.CH12	CYLINDER HEAD ASS'Y
13	GG2800.CH13	CYLINDER HEAD GASKET
14	GG2800.CH14	SET PIN
15	GG2800.CH15	EXHAUST VALVE
16	GG2800.CH16	INTAKE VALVE
17	GG2800.CH17	TAPPET
18	GG2800.CH18	PUSHER
19	GG2800.CH19	STUD AM6x105
20	GG2800.CH20	COVER
21	GG2800.CH21	OIL SEAL, PIPE
22	GG2800.CH22	NYLON, LINING

**NOTE:** It is our policy to continually improve products and as such we reserve the right to alter data, specifications and component parts without prior notice.

**IMPORTANT:** No liability is accepted for incorrect use of product.

**WARRANTY:** Guarantee is 12 months from purchase date, proof of which will be required for any claim.



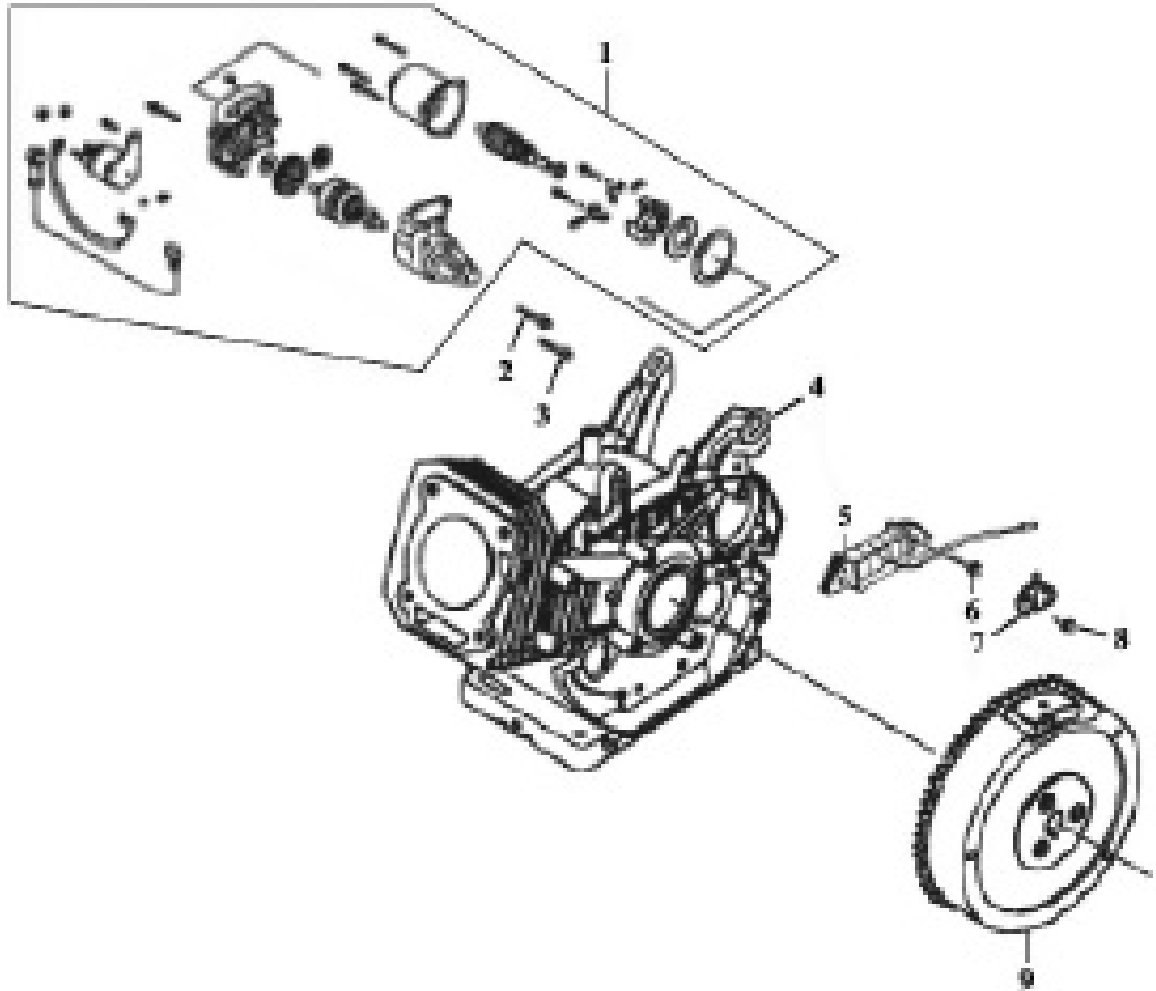
Item	Part No.	Description
1	GG2800.CS1	PISTON RING SET
2	GG2800.CS2	PISTON PIN CIRCLIP
3	GG2800.CS3	PISTON
4	GG2800.CS4	PISTON PIN
5	GG2800.CS5	CONNECT ROD ASS'Y
6	GG2800.CS6	CRANKSHAFT ASS'Y

Item	Part No.	Description
7	GG2800.CS7	CAMSHAFT ASS'Y
8	GG2800.CS8	FLYWHEEL
9	GG2800.CS9	FLYWHEEL FAN
10	GG2800.CS10	STARTING FLANGE
11	GG2800.CS11	FLANGE NUT M14X1.5

**NOTE:** It is our policy to continually improve products and as such we reserve the right to alter data, specifications and component parts without prior notice.

**IMPORTANT:** No liability is accepted for incorrect use of product.

**WARRANTY:** Guarantee is 12 months from purchase date, proof of which will be required for any claim.



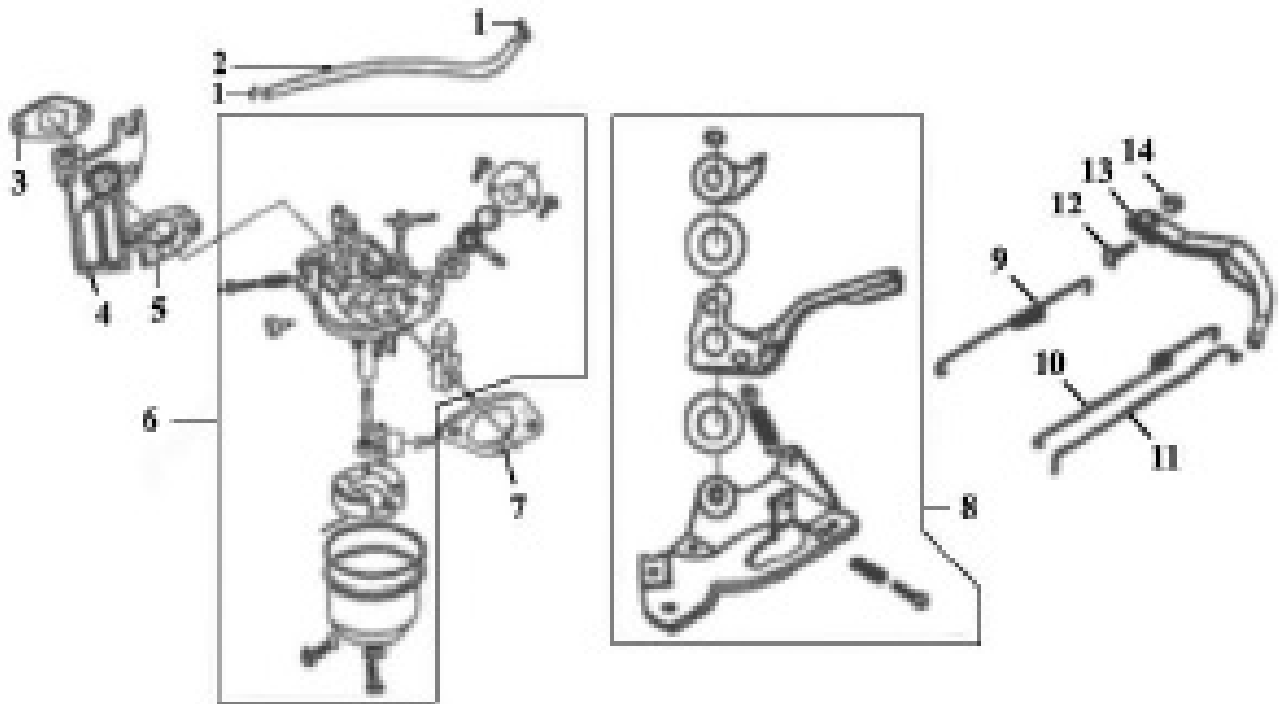
Item	Part No.	Description
1	GG2800.ES1	STARTING MOTOR ASS'Y
2	GG2800.ES2	BOLT (M6X32)
3	GG2800.ES3	FLANGE BOLT M6X32
4	GG2800.ES4	CRANKCASE
5	GG2800.ES5	RELAY

Item	Part No.	Description
6	SFS635.S	HEX HEAD FLANGE BOLT M6x35 SINGLE
7	GG2800.ES7	CORD CLAMP
8	SFS612.S	HEX HEAD FLANGE BOLT M6x12 SINGLE
9	GG2800.ES9	FLYWHEEL

**NOTE:** It is our policy to continually improve products and as such we reserve the right to alter data, specifications and component parts without prior notice.

**IMPORTANT:** No liability is accepted for incorrect use of product.

**WARRANTY:** Guarantee is 12 months from purchase date, proof of which will be required for any claim.



Item	Part No.	Description
1	GG2800.FS1	PIPE CLAMP
2	GG2800.FS2	FUEL PIPE
3	GG2800.FS3	INLET GASKET
4	GG2800.FS4	CONNECTING BLOCK
5	GG2800.FS5	CARBURETOR GASKET
6	GG2800.FS6	CARBURETOR ASS'Y
7	GG2800.FS7	GASKET, AIR CLEANER

Item	Part No.	Description
8	GG2800.FS8	REGULATING CONTROL A'SSY
9	GG2800.FS9	BACK SPRING
10	GG2800.FS10	REGULATING SPRING
11	GG2800.FS11	PULLING ROD
12	EWP050.FS12	LOCK BOLT
13	GG2800.FS13	REGULATING ARM
14	FN6.S	FLANGE NUT SERRATED M6 ZINC (SINGLE)

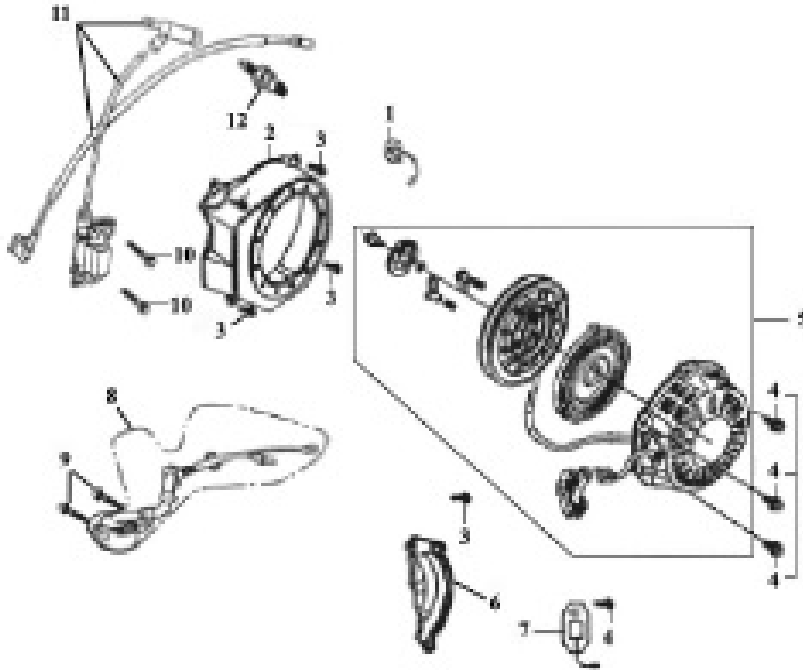
**NOTE:** It is our policy to continually improve products and as such we reserve the right to alter data, specifications and component parts without prior notice.

**IMPORTANT:** No liability is accepted for incorrect use of product.

**WARRANTY:** Guarantee is 12 months from purchase date, proof of which will be required for any claim.



Parts Information:  
**Generator 2800W 110/230V 6.5hp**  
**Model No: GG2800**



Item	Part No.	Description
1	GG7500.RS1	ENGINE SWITCH
2	GG2800.RS2	FAN COVER ASS'Y
3	SFS612.S	HEX HEAD FLANGE BOLT M6x12 SINGLE
4	SFS68.S	HEX HEAD FLANGE BOLT M6x8 SINGLE
5	EWPO50.RS5	RECOIL STARTER ASS'Y
6	GG2800.RS6	SHROAD COMP.
7	GG2800.RS7	DIODE
8	GG2800.RS8	OIL SENSOR

Item	Part No.	Description
9	SFS614.S	HEX HEAD FLANGE BOLT M6x14 SINGLE
10	SFS622.S	HEX HEAD FLANGE BOLT M6x22 SINGLE
11	GG2800.RS11	IGNITION COIL ASS'Y
12	GG2800.RS12	SPARK PLUG
--	GG2800.L	LABELS (NOT SHOWN)
--	GG2800.R	ROTOR (NOT SHOWN)
--	GG2800.S	STATOR (NOT SHOWN)

**NOTE:** It is our policy to continually improve products and as such we reserve the right to alter data, specifications and component parts without prior notice.

**IMPORTANT:** No liability is accepted for incorrect use of product.

**WARRANTY:** Guarantee is 12 months from purchase date, proof of which will be required for any claim.

**Sealey Group**, Kempson Way, Suffolk Business Park, Bury St Edmunds, Suffolk. IP32 7AR



01284 757500



01284 703534



sales@sealey.co.uk



www.sealey.co.uk