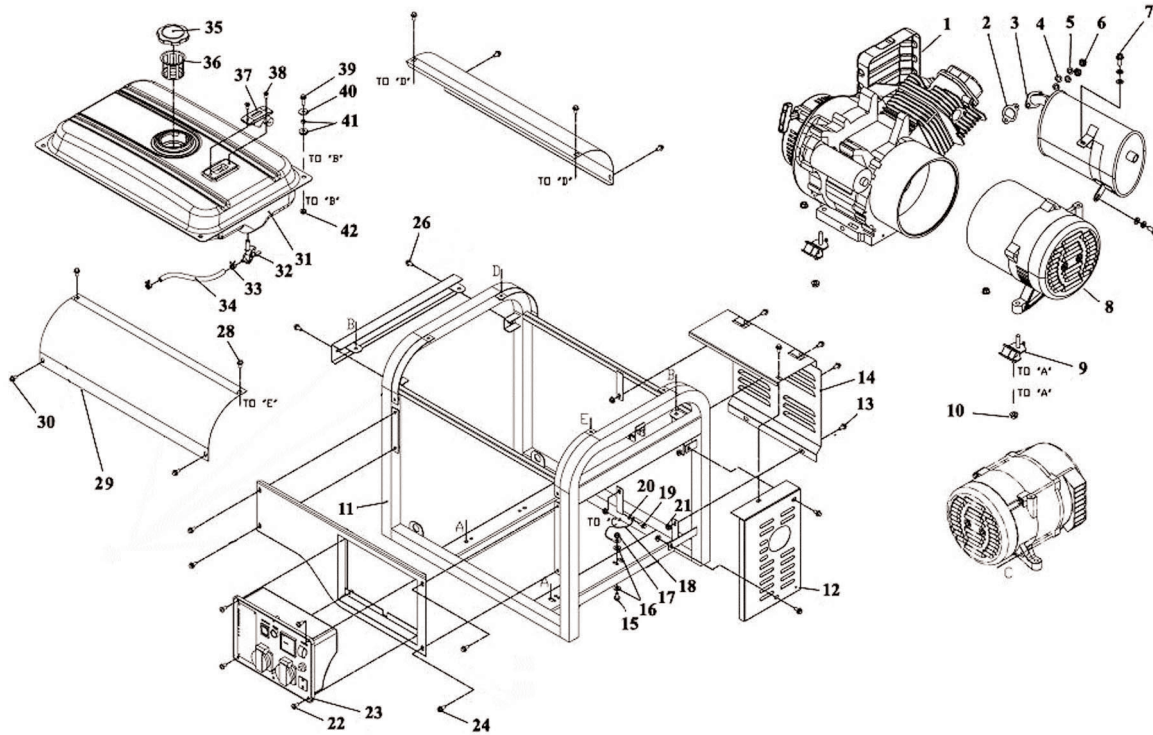


MAIN ASSEMBLY



Item	Part No.	Description
1	GG7500.01	ENGINE
2	GG7500.02	MUFFLER WASHER
3	GG7500.03	MUFFLER
4	FWM8.S	FLAT WASHER M8 SINGLE
5	SWM8.S	SPRING WASHER M8 ZINC (SINGLE)
6	FN8.S	FLANGE NUT SERRATED M8 ZINC (SINGLE)
7	SFS820.S	HEX HEAD FLANGE BOLT M8x20 SINGLE
8	GG7500.08	ALTERNATOR ASS'Y
9	GG7500.09	SHOCK ABSORBER
10	FN8.S	FLANGE NUT SERRATED M8 ZINC (SINGLE)
11	GG7500.11	FRAME
12	GG7500.12	MUFFLER COVER
13	SFS612.S	HEX HEAD FLANGE BOLT M6x12 SINGLE
14	GG7500.14	MUFFLER COVER, SIDE
15	SFS612.S	HEX HEAD FLANGE BOLT M6x12 SINGLE
16	GG7500.16	GASKET
17	FN6.S	FLANGE NUT SERRATED M6 ZINC (SINGLE)
18	GG7500.18	WIRE
19	GG7500.19	FLANGE BOLT (M8*12)
20	GG7500.20	M6 EXT TOOTH WASHER ZINC
21	FN6.S	FLANGE NUT SERRATED M6 ZINC (SINGLE)
22	GG7500.22	SCREW (M6*12)

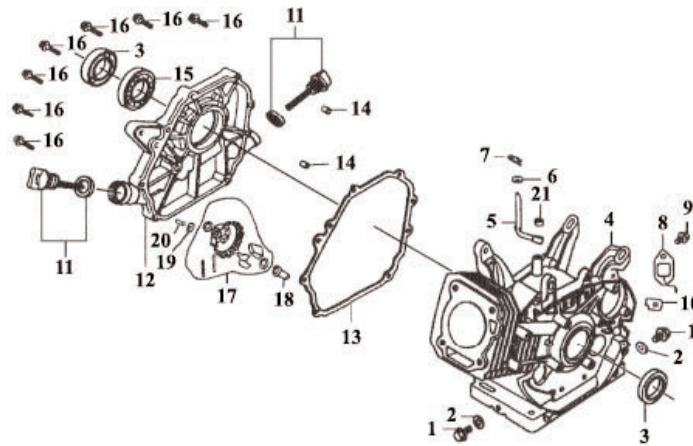
Item	Part No.	Description
23	GG3800.23	CONTROL PANEL ASS'Y
24	SFS612.S	HEX HEAD FLANGE BOLT M6x12 SINGLE
26	SFS612.S	HEX HEAD FLANGE BOLT M6x12 SINGLE
28	SFS612.S	HEX HEAD FLANGE BOLT M6x12 SINGLE
29	GG7500.29	UPPER PANEL
30	SFS612.S	HEX HEAD FLANGE BOLT M6x12 SINGLE
31	GG7500.31	FUEL TANK 25ltr
32	GG7500.32	FUEL SWITCH
33	GG7500.33	CLAMP
34	GG7500.34	FUEL PIPE
35	GG7500.35	FUEL TANK CAP ASS'Y
36	GG7500.36	FILTER CUP
37	GG7500.37	FUEL GAUGE
38	MSP512.S	MACHINE SCREW PAN HEAD PHILLIPS M5x12mm
39	SFS625.S	HEX HEAD FLANGE BOLT M6x25 SINGLE
40	RW619.S	REPAIR WASHER M6x19 (SINGLE)
41	GG7500.41	SHOCK ABSORBER
42	FN6.S	FLANGE NUT SERRATED M6 ZINC (SINGLE)
--	GG7500.48	ALTERNATOR END PLAT (NOT SHOWN)
--	GG7500.49	FLANGED BOLT M6x175 (NOT SHOWN)
--	GG7500.50	FRONT COVER (NOT SHOWN)

NOTE: It is our policy to continually improve products and as such we reserve the right to alter data, specifications and component parts without prior notice.

IMPORTANT: No liability is accepted for incorrect use of product.

WARRANTY: Guarantee is 12 months from purchase date, proof of which will be required for any claim.

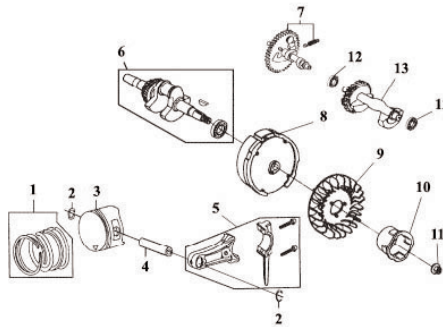
CRANKCASE PARTS



Item	Part No.	Description
1	GG7500.CC1	DRAIN PLUG
2	GG7500.CC2	COPPER WASHER
3	GG7500.CC3	OIL SEAL, CRANKSHAFT
4	GG7500.CC4	CRANKCASE
5	GG7500.CC5	REGULATING BAR
6	FWM8.SB	FLAT WASHER M8 BLACK (SINGLE)
7	GG7500.CC7	SPLIT PIN
8	GG2800.RS7	DIODE
9	SFS68.S	HEX HEAD FLANGE BOLT M6x8 SINGLE
10	GG7500.CC10	SEAL
11	GG7500.CC11	OIL PLUG

Item	Part No.	Description
12	GG7500.CC12	CRANKCASE COVER
13	GG7500.CC13	CRANKCASE GASKET
14	GG7500.CC14	SET PIN (8*14)
15	B/6207	BEARING 6207
16	SFS835.S	HEX HEAD FLANGE BOLT M8x35 SINGLE
17	GG7500.CC17	DRIVEN GEAR ASS'Y
18	GG7500.CC18	SLIDING SLEEVE
19	GG7500.CC19	SNAP RING
20	GG7500.CC20	REGULATING SHAFT
21	GG7500.CC21	DIRECTIONAL FIXING

CRANKSHAFT/PISTON/CAMSHAFT/ FLYWHEEL ASS'Y PARTS



Item	Part No.	Description
1	GG7500.CS1	PISTON RING SET
2	GG7500.CS2	PISTON PIN CIRCLIP
3	GG7500.CS3	PISTON
4	GG7500.CS4	PISTON PIN
5	GG7500.CS5	CONNECT ROD ASS'Y
6	GG7500.CS6	CRANKSHAFT ASS'Y
7	GG7500.CS7	CAMSHAFT ASS'Y

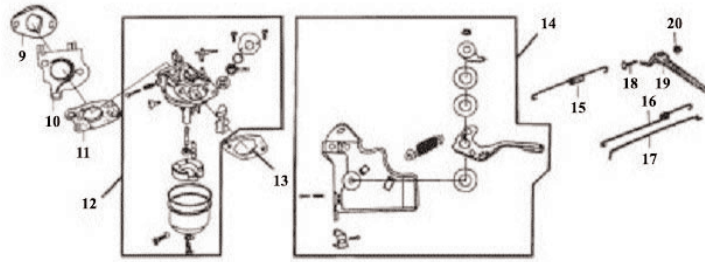
Item	Part No.	Description
8	GG7500.CS8	FLYWHEEL
9	GG7500.CS9	FLYWHEEL FAN
10	GG7500.CS10	STARTING FLANGE
11	GG7500.CS11	NUT
12	B/6202	BEARING 6202
13	GG7500.CS13	BALANCING SHAFT

NOTE: It is our policy to continually improve products and as such we reserve the right to alter data, specifications and component parts without prior notice.

IMPORTANT: No liability is accepted for incorrect use of product.

WARRANTY: Guarantee is 12 months from purchase date, proof of which will be required for any claim.

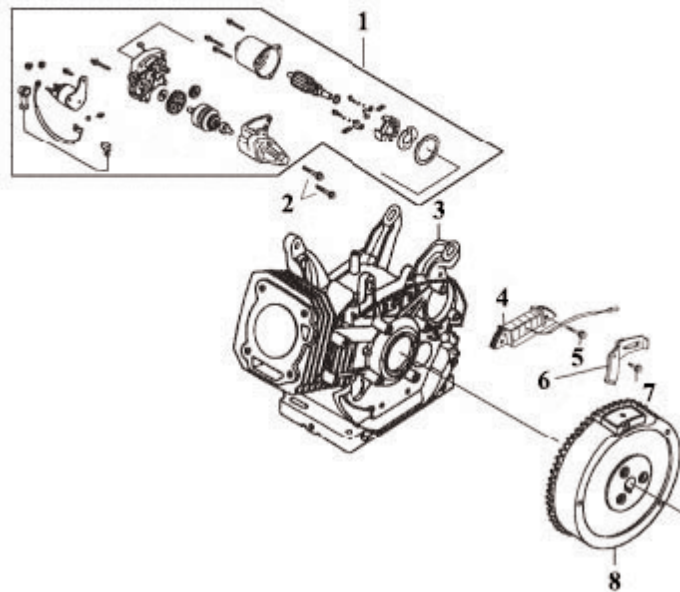
FUEL SUPPLY PARTS



Item	Part No.	Description
9	GG7500.FS9	INLET GASKET
10	GG7500.FS10	CONNECTING BLOCK
11	GG7500.FS11	CARBURETOR GASKET
12	GG7500.FS12	CARBURETOR ASS'Y
13	GG7500.FS13	GASKET, AIR CLEANER
14	GG7500.FS14	REGULATING CONTROL ASS'Y

Item	Part No.	Description
15	GG7500.FS15	SPRING
16	GG7500.FS16	REGULATING SPRING
17	GG7500.FS17	PULLING ROD
18	EWP050.FS12	LOCK BOLT
19	GG7500.FS19	REGULATING ARM
20	FN6.S	FLANGE NUT SERRATED M6 ZINC (SINGLE)

ELECTRIC STARTER PARTS



Item	Part No.	Description
1	GG7500.ES1	STARTING MOTOR ASS'Y
2	SFS835.S	HEX HEAD FLANGE BOLT M8x35 SINGLE
3	GG7500.ES3	CRANKCASE
4	GG7500.ES4	SENSOR
5	SFS635.S	HEX HEAD FLANGE BOLT M6x35 SINGLE
6	GG7500.ES6	CORD CLAMP

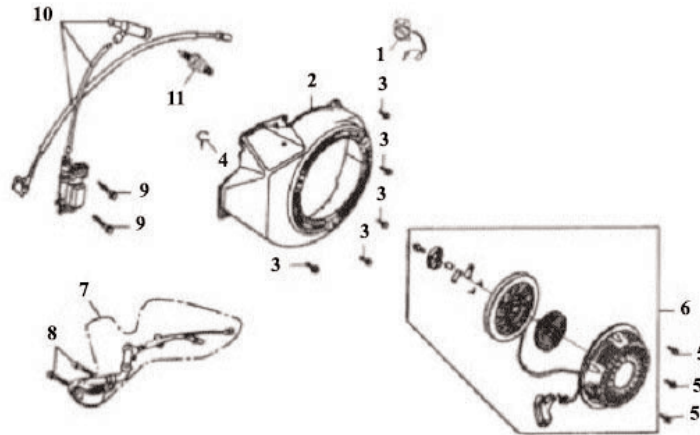
Item	Part No.	Description
7	SFS612.S	HEX HEAD FLANGE BOLT M6x12 SINGLE
8	GG7500.ES8	FLYWHEEL
--	GG7500.L	LABELS (NOT SHOWN)
--	GG7500.46	BATTERY CHARGE LEADS (NOT SHOWN)
--	GG7500.47	SPARK PLUG TOOL (NOT SHOWN)

NOTE: It is our policy to continually improve products and as such we reserve the right to alter data, specifications and component parts without prior notice.

IMPORTANT: No liability is accepted for incorrect use of product.

WARRANTY: Guarantee is 12 months from purchase date, proof of which will be required for any claim.

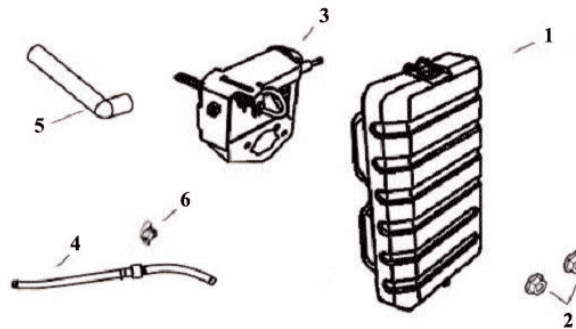
RECOIL STARTER & IGNITION COIL ASS'Y PARTS



Item	Part No.	Description
1	GG7500.RS1	ENGINE SWITCH
2	GG7500.RS2	FAN COVER ASS'Y
3	SFS612.S	HEX HEAD FLANGE BOLT M6x12 SINGLE
4	GG7500.RS4	CLIP
5	SFS68.S	HEX HEAD FLANGE BOLT M6x8 SINGLE
6	GG7500.RS6	RECOIL STARTER ASS'Y

Item	Part No.	Description
7	GG7500.RS7	OIL SENSOR
8	SFS614.S	HEX HEAD FLANGE BOLT M6x14 SINGLE
9	SFS625.S	HEX HEAD FLANGE BOLT M6x25 SINGLE
10	GG7500.RS10	IGNITION COIL ASS'Y
11	GG7500.RS11	SPARK PLUG

AIR CLEANER PARTS



Item	Part No.	Description
1	GG7500.AC1	AIR CLEANER ASS'Y
2	FN6.S	FLANGE NUT SERRATED M6 ZINC (SINGLE)
3	GG7500.AC3	CHOKE ASSY.

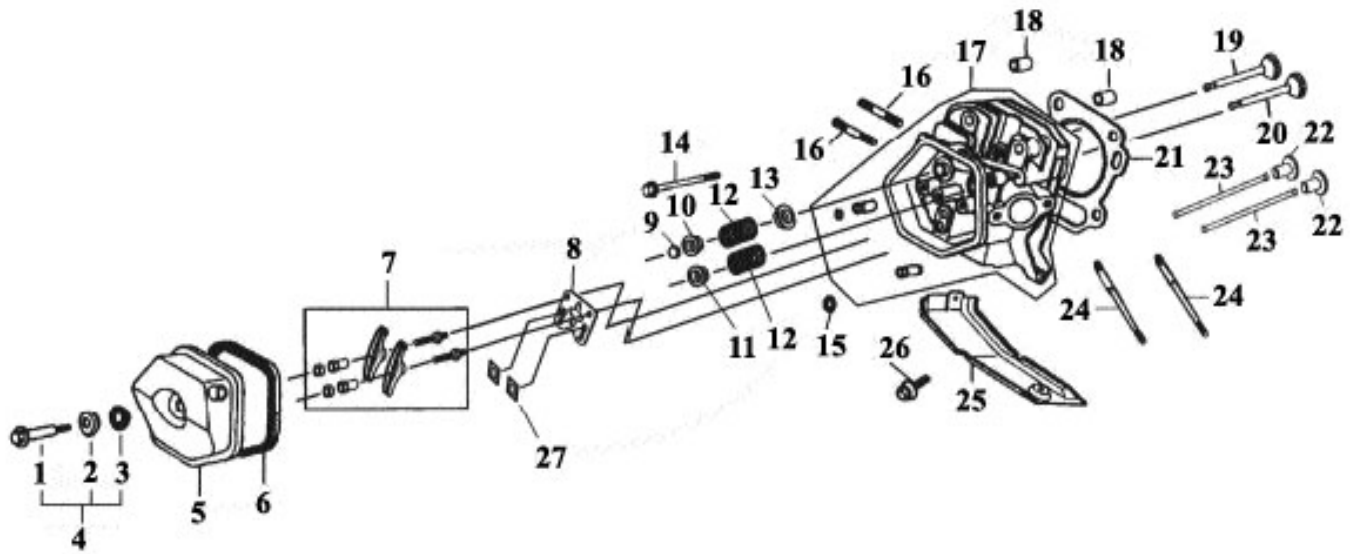
Item	Part No.	Description
4	GG7500.AC4	VALVE
5	GG7500.AC5	AIR PIPE
6	GG7500.AC6	CLIP

NOTE: It is our policy to continually improve products and as such we reserve the right to alter data, specifications and component parts without prior notice.

IMPORTANT: No liability is accepted for incorrect use of product.

WARRANTY: Guarantee is 12 months from purchase date, proof of which will be required for any claim.

CYLINDER HEAD PARTS



Item	Part No.	Description
1	GG7500.CH1	FLANGE BOLT M6X20
2	GG7500.CH2	WASHER DISHED
3	GG7500.CH3	RUBBER SEAL
4	GG7500.CH4	BOLT M6X60 C/W WASHER
5	GG7500.CH5	CYLINDER HEAD COVER
6	GG7500.CH6	GASKET
7	GG7500.CH7	VALVE ROCKET ASS'Y
8	GG7500.CH8	PUSH GUIDE
9	GG7500.CH9	CAP
10	GG7500.CH10	EXHAUST SPRING SEAT
11	GG7500.CH11	INTAKE SPRING SEAT
12	GG7500.CH12	VALVE SPRING
13	GG7500.CH13	SPRING RETAINER
14	GG3800.CH14	FLANGE BOLT M10X80

Item	Part No.	Description
15	GG7500.CH15	SEAL
16	GG7500.CH16	STUD (M8*55)
17	GG7500.CH17	CYLINDER HEAD ASS'Y
18	GG7500.CH18	PIN (12*20)
19	GG7500.CH19	EXHAUST VALVE
20	GG7500.CH20	INTAKE VALVE
21	GG7500.CH21	CYLINDER HEAD GASKET
22	GG7500.CH22	TAPPET
23	GG7500.CH23	PUSHER
24	GG7500.CH24	STUD
25	GG7500.CH25	COVER
26	SFS612.S	HEX HEAD FLANGE BOLT M6x12 SINGLE
27	GG7500.CH27	NYLON SEAL

NOTE: It is our policy to continually improve products and as such we reserve the right to alter data, specifications and component parts without prior notice.

IMPORTANT: No liability is accepted for incorrect use of product.

WARRANTY: Guarantee is 12 months from purchase date, proof of which will be required for any claim.