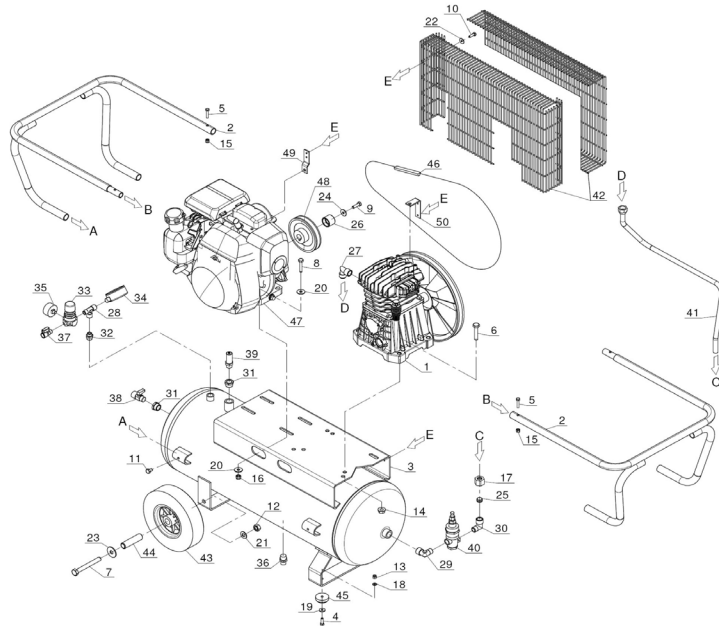




Parts Information:
**Compressor 50ltr Belt Drive Petrol Engine
 4hp
 Model No: SA5040**



| Item | Part No. | Description |
|------|---------------|-----------------------------------|
| 1 | SAC9101880000 | PUMP UNIT |
| 2 | SA5055.02 | FRAME 2 PIECE SET |
| 3 | SA5055.03 | TANK 50LTR |
| 4 | SA5055.04 | SCREW (M6x20) |
| 5 | SA5055.05 | SCREW (M6x30) |
| 6 | SA5055.06 | SCREW (M10x50) |
| 7 | HHB12100.S | HEX HEAD BOLT M12x100mm SINGLE |
| 8 | SA5055.08 | SCREW (M8x45) |
| 9 | SA5055.09 | SCREW 5/16" |
| 10 | SA5040.P35 | SCREW (M5x12) |
| 11 | SA5055.11 | SCREW (M8x12) |
| 12 | SN12.S | STEEL NUT M12 ZINC DIN934(SINGLE) |
| 13 | SN6.S | STEEL NUT M6 ZINC DIN934 (SINGLE) |
| 14 | SN10.S | STEEL NUT M10 ZINC DIN934(SINGLE) |
| 15 | SN6.S | STEEL NUT M6 ZINC DIN934 (SINGLE) |
| 16 | SN8.S | STEEL NUT M8 ZINC DIN934 (SINGLE) |
| 17 | SA5055.17 | NUT 1/2" |
| 18 | SA5055.18 | WASHER (6mm) |
| 19 | SA5055.19 | WASHER (6.4x24) |
| 20 | SA5055.20 | WASHER (8x24x2) |
| 21 | SA5055.21 | WASHER (12mm) |
| 22 | SA5055.22 | WASHER (6.4x18x1.5) |
| 23 | SA5055.23 | WASHER (12x36x2.5) |
| 24 | SA5055.24 | WASHER (8mm) |
| 25 | SA5055.25 | OLIVE |
| 26 | SA5055.26 | SPACER |
| 27 | SAC7080160000 | ELBOW 1/2"BSP MALE X2 |

| Item | Part No. | Description |
|------|---------------|--|
| 28 | SAC7082050000 | CROSS CONNECTOR 1/4" |
| 29 | SA5055.29 | ELBOW 3/8"BSP MALE-1/2"BSP MALE |
| 30 | SA5055.30 | ELBOW 3/8"BSP MALE- 14mm PIPE C/W OLIVE |
| 31 | SA5055.31 | PLUG |
| 32 | SA5055.32 | UNION REDUCER |
| 33 | SAC9700001715 | PRESSURE REDUCER |
| 34 | SA5055.34 | PRESSURE GAUGE 230psi 68mm OD btm fittin |
| 35 | SAC9700001788 | PRESSURE GAUGE 240psi, 40mm OD, REAR FIT |
| 36 | SAC7130160000 | DRAIN VALVE 3/8"BSP MALE |
| 37 | SAC7130440000 | BALL VALVE 1/4"BSP MALE-1/4"BSP FEMALE |
| 38 | SA5055.38 | OUTLET TAP 3/8" |
| 39 | SAC7192090000 | SAFETY VALVE 10bar 3/8"BSP MALE |
| 40 | SA5055.40 | REGULATOR |
| 41 | SA5040.41 | DELIVERY PIPE |
| 42 | SAC4170030000 | BELT GUARD ASS'Y |
| 43 | SA5055.43 | WHEEL, FIXED (208x21x63) |
| 44 | SA5055.44 | WHEEL SPACER |
| 45 | SA5055.45 | RUBBER FOOT |
| 46 | V/A46 | V-BELT (ID-1168) A46 |
| 47 | SA5040.47 | ENGINE |
| 48 | SA5040.48 | PULLEY |
| 49 | SA5055.49 | BELT GUARD SUPPORT |
| 50 | SAC7458940000 | BELT GUARD SUPPORT |
| -- | SAC7385590000 | DIPSTICK HOLDER (c/w DIPSTICK) (NOT SHOWN) |

NOTE: It is our policy to continually improve products and as such we reserve the right to alter data, specifications and component parts without prior notice.

IMPORTANT: No liability is accepted for incorrect use of product.

WARRANTY: Guarantee is 12 months from purchase date, proof of which will be required for any claim.

Sealey Group, Kempson Way, Suffolk Business Park, Bury St Edmunds, Suffolk. IP32 7AR



01284 757500



01284 703534

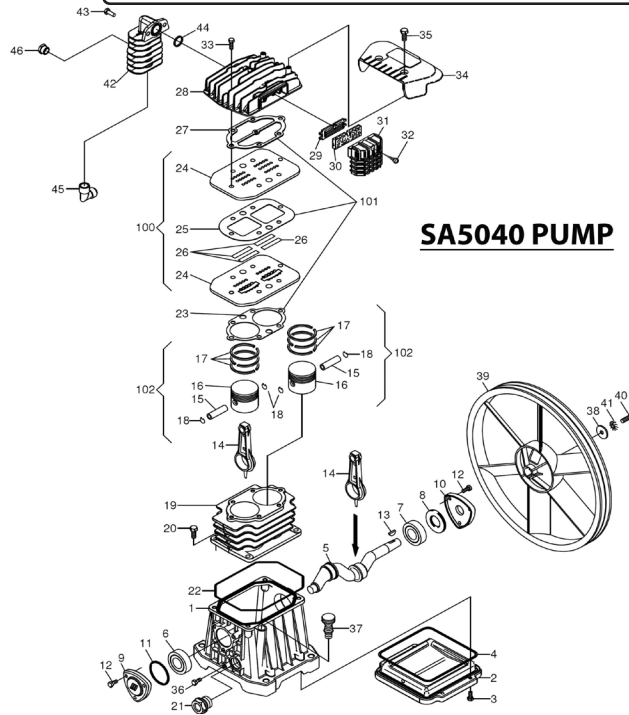


sales@sealey.co.uk



www.sealey.co.uk

Parts Information:
**Compressor 50ltr Belt Drive Petrol Engine
 4hp
 Model No: SA5040**



| Item | Part No. | Description |
|------|---------------|---|
| 1 | SAC9700001075 | CRANKCASE |
| 2 | SAC9700001076 | CRANKCASE COVER |
| 3 | SAC9700000531 | SCREW (M5x12) |
| 4 | SAC9700001077 | CRANKCASE BASE SEAL |
| 5 | SAC9100270140 | CRANKSHAFT |
| 6 | B/6203 | BEARING 6203 |
| 7 | B/6204 | BEARING 6204 |
| 8 | SAC9100270150 | OIL SEAL |
| 9 | SAC9100270160 | FRONT COVER |
| 10 | SAC9100270170 | REAR COVER |
| 11 | SAC9100280010 | O-RING 46.2x39.6x3.3 (FRONT COVER SEAL) |
| 12 | SAC7011420000 | SCREW (M6x16) |
| 13 | SAC9100280020 | KEY |
| 14 | SAC9100270010 | CONNECTION ROD |
| 15 | SAC9100270020 | GUDGEON PIN |
| 16 | SAC9100270030 | PISTON |
| 17 | SAC4080120000 | KIT OF PISTON RINGS (3) |
| 18 | SAC9100270070 | SEEGER RING (OGIVE) |
| 19 | SAC9100270080 | CYLINDER(TWIN) |
| 20 | SAC7012220000 | SCREW |
| 21 | SAC9100280070 | OIL SIGHT GLASS |
| 22 | SAC9100270180 | GASKET, CYLINDER BASE |
| 23 | SAC9100270190 | GASKET |
| 24 | SAC9100270090 | VALVE PLATE (CAST WITH HOLE FOR REEDS) |
| 25 | SAC9100270200 | GASKET |

| Item | Part No. | Description |
|------|---------------|---|
| 26 | SAC9100280090 | VALVE |
| 27 | SAC9100270210 | GASKET |
| 28 | SAC9100270100 | CYLINDER HEAD |
| 29 | SAC7458340000 | PLATE |
| 30 | SAC7210010000 | FILTER ELEMENT |
| 31 | SAC9100270240 | INTAKE FILTER |
| 32 | SAC7012100000 | RD HEAD S/T SCREW M3.8 X 15 |
| 33 | SCB855.S | SOCKET CAP BOLT ZINC M8X55 |
| 34 | SAC9100270220 | COVER |
| 35 | MSP512.S | MACHINE SCREW PAN HEAD PHILLIPS M5x12mm |
| 36 | SS616.S | HEX HEAD SET SCREW M6x16mm SINGLE |
| 37 | SAC1129700300 | BREATHER PLUG |
| 38 | RW825.S | REPAIR WASHER M8x25 (SINGLE) |
| 39 | SAC9100270230 | FLYWHEEL |
| 40 | SS825.S | HEX HEAD SET SCREW M8x25mm SINGLE |
| 41 | SAC7031010000 | TOOTHED WASHER |
| 42 | SAC9100270270 | AFTERCOOLER |
| 43 | FWM8.S | FLAT WASHER M8 SINGLE |
| 44 | SAC9100270280 | GASKET |
| 45 | SAC7080160000 | ELBOW 1/2"BSP MALE X2 |
| 46 | SAC9700000693 | PLUG 3/8" |
| 100 | SAC9700003272 | VALVE PLATE ASS'Y |
| 101 | SAC9700000078 | GASKET KIT |
| 102 | SAC9700010170 | PISTON GROUP |

NOTE: It is our policy to continually improve products and as such we reserve the right to alter data, specifications and component parts without prior notice.

IMPORTANT: No liability is accepted for incorrect use of product.

WARRANTY: Guarantee is 12 months from purchase date, proof of which will be required for any claim.