

Front Wheel Bearing GEN2 Removal/Installation Kits

Model No's: **VS7027, VS7028, VS7029, VS7030**

Thank you for purchasing a Sealey Product. Manufactured to a high standard this product will, if used according to these instructions and properly maintained, give you years of trouble free performance.



IMPORTANT: PLEASE READ THESE INSTRUCTIONS CAREFULLY. NOTE THE SAFE OPERATIONAL REQUIREMENTS, WARNINGS AND CAUTIONS. USE THIS PRODUCT CORRECTLY AND WITH CARE FOR THE PURPOSE FOR WHICH IT IS INTENDED. FAILURE TO DO SO MAY CAUSE DAMAGE AND/OR PERSONAL INJURY AND WILL INVALIDATE THE WARRANTY. PLEASE KEEP INSTRUCTIONS SAFE FOR FUTURE USE.

1. CONTENTS

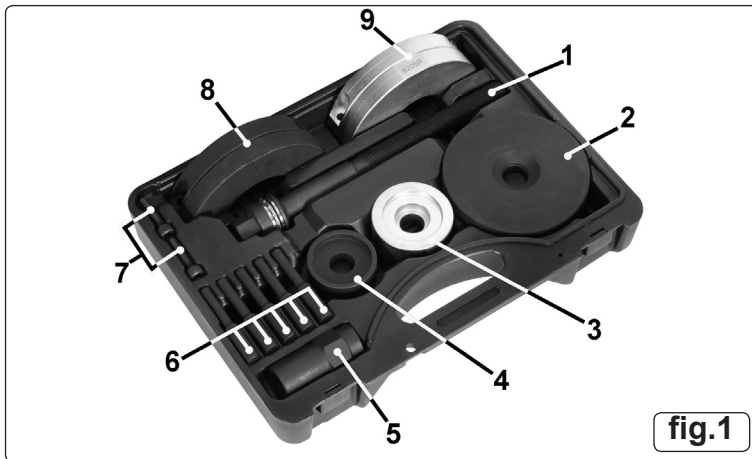


fig.1



| Item | Description | Qty | Part Numbers | | | |
|------|------------------------|-----|------------------|------------------|------------------|------------------|
| | | | VS7027 | VS7028 | VS7029 | VS7030 |
| 1 | Force Screw | 1 | VS7027.01 | VS7028.01 | VS7029.01 | VS7030.01 |
| 2 | Thrust Plate | 1 | VS7027.02 | VS7028.02 | VS7029.02 | VS7030.02 |
| 3 | Bearing Plate (Silver) | 1 | VS7027.03 | VS7028.03 | VS7029.03 | VS7030.03 |
| 4 | Bearing Plate (Black) | 1 | VS7027.04 | VS7028.04 | VS7029.04 | VS7030.04 |
| 5 | Sleeved Nut | 1 | VS7027.05 | VS7028.05 | VS7029.05 | VS7030.05 |
| 6 | Hub Guide Pins | 5 | VS7027.06 | VS7028.06 | VS7029.06 | VS7030.06 |
| 7 | Hub Clamp Screws | 2 | VS7027.07 | VS7028.07 | VS7029.07 | VS7030.07 |
| 8 | Hub Clamp (Black) | 1pr | VS7027.08 (62mm) | VS7028.08 (66mm) | VS7029.08 (72mm) | VS7030.08 (78mm) |
| 9 | Hub Clamp (Silver) | 1pr | VS7027.09 (62mm) | VS7028.09 (66mm) | VS7029.09 (72mm) | VS7030.09 (78mm) |

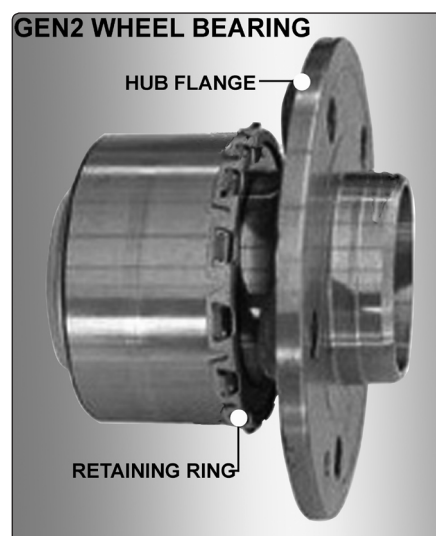
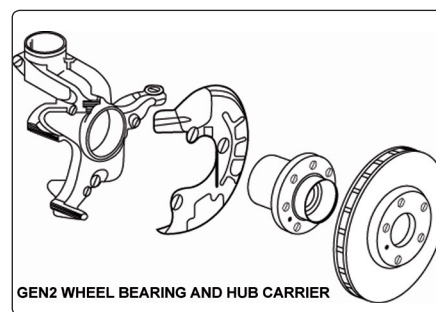
2. APPLICATIONS

| VS7027 | VS7028 | VS7029 | VS7030 |
|--|--|---|--|
| Audi A2 1.2TDi PD (01-05) | Skoda Fabia (00-12) | Audi A1 (2010 - on) A2 (00-05) | Ford C-Max (07-11) Focus II (04-11) Focus C-Max (03-07) |
| VW Lupo 3L 1.2TDi PD (01-06) | VW Fox (05-10) Polo (02-09) | Seat Cordoba (03-09) Ibiza (02-12) | Mazda 3 (03-05) |
| | | Skoda Fabia (00-12) Roomster (06-12) | Volvo C30 (06-10) C70 (05-10) S40 (04-12) V50 (04-10) |
| | | VW Fox (05-10) Polo (02-12) | |

3. SAFETY INSTRUCTIONS

3.1 General Safety

- ❑ **WARNING!** Ensure Health & Safety, local authority, and general workshop practice regulations are adhered to when using this tool.
- ❑ **WARNING!** Familiarise yourself with the specific applications and limitations of the kit, as well as any potential hazards.
 - ✓ Ensure that the kit is correct for the task.
 - ✓ Wear the appropriate personal protective equipment for the task. A full range is available from your Sealey dealer.
 - ✗ **DO NOT** use a workshop press to fit GEN2 wheel bearings.
 - ✗ **DO NOT** fit a wheel bearing with a damaged retaining ring.
 - ✗ **DO NOT** use the kit for any purpose other than that for which it is designed.
 - ✗ **DO NOT** use air tools with this kit to remove/install bearings.
 - ✓ Always keep force screw well lubricated.
 - ✓ Ensure that the vehicle is properly supported with axle stands before working under the vehicle.
 - ✓ Ensure there is adequate lighting prior to using the kit. A range of inspection lamps are available from your Sealey dealer.
 - ✓ Keep children and unauthorised persons away from the working area.
 - ✗ **DO NOT** use the kit if any parts are damaged or missing, as this may cause failure and/or personal injury.
 - ✗ **DO NOT** use the kit when you are tired, or under the influence of alcohol, drugs or intoxicating medication.
 - ✓ After use, store in a safe, dry childproof area.
- ▲ **IMPORTANT:** Always refer to the vehicle manufacturer's service instructions, or a proprietary manual, to establish the current procedure and data.
- ❑ **WARNING:** The warnings, cautions and instructions in this manual cannot cover all possible conditions and situations that may occur. It must be understood that common sense and caution are factors which cannot be built into this product, but must be applied by the operator.



4. INTRODUCTION

A selection of kits designed for the second generation of wheel bearing found on modern vehicles. These bearings are lightweight with an integral mounting flange. They are also pre-loaded with a retaining ring that secures the bearing into the housing. Each kit is individually designed to suit the relevant vehicle manufacturer. These kits can be used in-situ when replacing the front wheel bearing. Knowledge of the outer bearing diameter is required before selecting the appropriate kit, as some vehicles are fitted with more than one size of bearing.

5. OPERATION

5.1 Bearing Removal (fig.2 & fig.3)

5.1.1 Prepare the vehicle for the wheel bearing to be removed.

Note: When GEN2 wheel bearings are removed, the retaining ring will sustain damage. **DO NOT** re-fit a bearing once it has been removed.

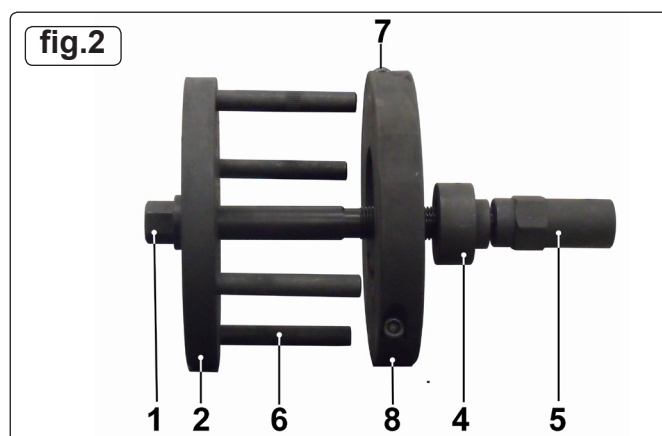
5.1.2 Fit the black hub clamp (8) behind the hub flange with the recessed side facing the hub carrier. Secure the hub clamp (8) with the hub clamp screws (7).

5.1.3 Fit the hub guide pins (6) into the thrust plate (2) so that the hub guide pins (6) align with the holes in the hub flange. Place the hub guide pins (6) through the holes in the hub flange so that they sit against the hub clamp (8) (fig.3).

5.1.4 Lubricate the force screw (1).

5.1.5 Fit the force screw (1) through the thrust plate (2) and through the bearing and hub carrier.

5.1.6 Place the black bearing plate (4) over the force screw (1) so that it sits on the outer race of the bearing.



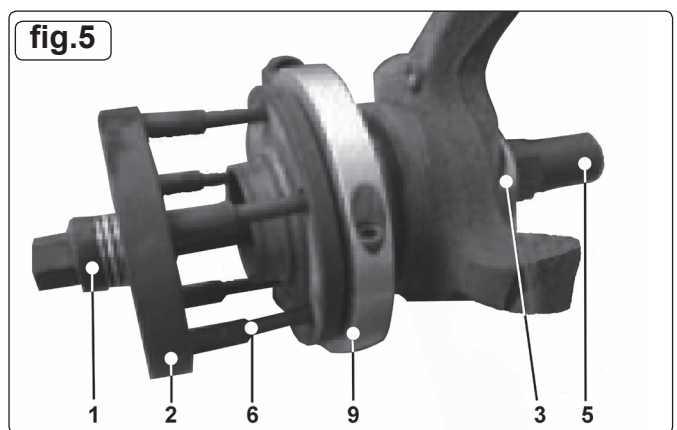
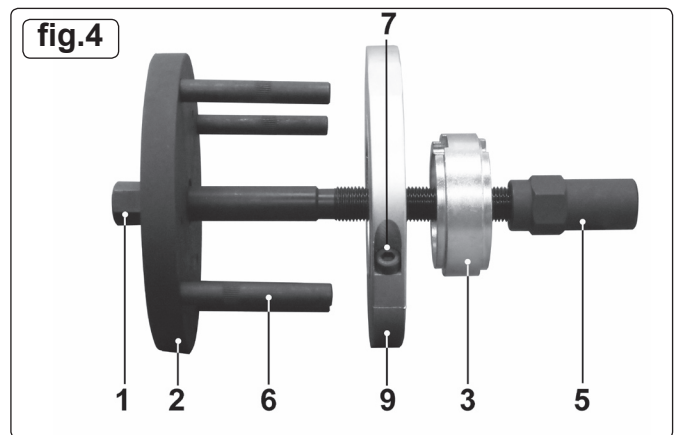
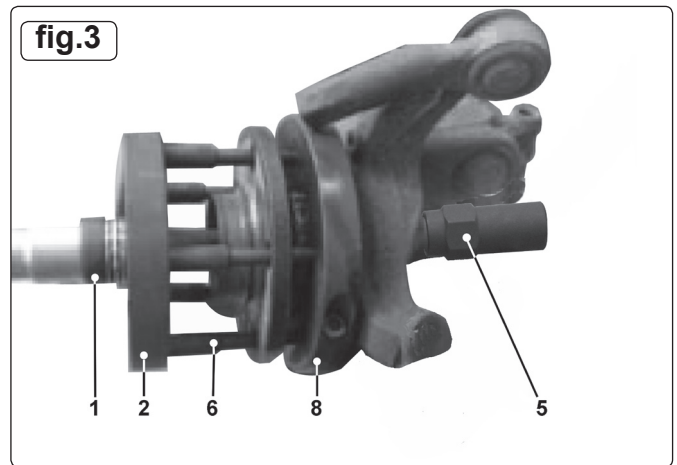
- 5.1.7 Screw the sleeved nut (5) over the force screw (1) so that it sits against the bearing plate (4).
- 5.1.8 Use a socket on the force screw (1) and a spanner on the sleeved nut (5) (fig.3). Draw the bearing from the hub carrier.

5.2 Bearing Installation (fig.4 & fig.5)

❑ **WARNING! DO NOT** fit a bearing with a damaged retaining ring.

Note: The bearing must only be subjected to force on the outer bearing race behind the retaining ring during installation. Using a workshop press on the hub flange to insert the bearing will cause premature failure or destroy the bearing during installation.

- 5.2.1 The silver hub clamp (9) sits in the space between the rear of the hub flange and the retaining ring (fig.5). Secure the hub clamp (9) with the hub clamp screws (7).
- 5.2.2 Fit the hub guide pins (6) into the thrust plate (2) so that the hub guide pins (6) align with the holes in the hub flange. Place the hub guide pins (6) through the holes in the hub flange so that they sit against the hub clamp (9).
- 5.2.3 Lubricate the force screw (1).
- 5.2.4 Offer the bearing and assembled kit to the hub carrier. Ensure that the bearing is sitting square to the hub carrier before commencing installation.
- 5.2.5 Fit the force screw (1) through the thrust plate (2) and through the bearing and hub carrier.
- 5.2.6 Place the silver bearing plate (3) over the force screw (1) so that it sits on the outer edge at the rear of the hub carrier.
- 5.2.7 Screw the sleeved nut (5) over the force screw (1) so that it sits against the bearing plate (3).
- 5.2.8 Use a socket on the force screw (1) and a spanner on the sleeved nut (5). Draw the bearing into the hub carrier.
- 5.2.9 When the bearing is correctly installed, the retaining ring will clip into the retaining groove.



ALWAYS KEEP FORCE SCREW WELL LUBRICATED.

DO NOT USE AIR TOOLS

The force screws maximum load is 150Nm. Exceeding this load will shorten the life of the force screws The force screws are considered to be consumable items and are NOT covered under warranty.

Parts support is available for this product.
To obtain a parts list and diagram please log on to www.sealey.co.uk, email sales@sealey.co.uk or phone 01284 757500

NOTE: It is our policy to continually improve products and as such we reserve the right to alter data, specifications and component parts without prior notice.

IMPORTANT: No liability is accepted for incorrect use of this product.

WARRANTY: Guarantee is 12 months from purchase date, proof of which will be required for any claim.

INFORMATION: For a copy of our latest catalogue and promotions call us on 01284 757525 and leave your full name and address, including postcode.

| | | | |
|--|--|--------------|--|
| | Sole UK Distributor, Sealey Group, Kempson Way, Suffolk Business Park, Bury St. Edmunds, Suffolk, IP32 7AR | 01284 757500 | www.sealey.co.uk |
| | | 01284 703534 | sales@sealey.co.uk |