

SEALEY

MODULAR FLOOR CABINET/ DRAWER 775/1550MM HEAVY DUTY

MODEL NO'S: **APMS01, APMS02, APMS03, APMS04**

Thank you for purchasing a Sealey product. Manufactured to a high standard, this product will, if used according to these instructions, and properly maintained, give you years of trouble free performance.

IMPORTANT: PLEASE READ THESE INSTRUCTIONS CAREFULLY. NOTE THE SAFE OPERATIONAL REQUIREMENTS, WARNINGS & CAUTIONS. USE THE PRODUCT CORRECTLY AND WITH CARE FOR THE PURPOSE FOR WHICH IT IS INTENDED. FAILURE TO DO SO MAY CAUSE DAMAGE AND/OR PERSONAL INJURY AND WILL INVALIDATE THE WARRANTY. KEEP THESE INSTRUCTIONS SAFE FOR FUTURE USE.



Refer to
instruction
manual



Wear
protective
gloves

1. SAFETY

- ❑ **WARNING!** Ensure Health & Safety, local authority, and general workshop practice regulations are adhered to when using these cabinets.
- ✓ Locate the cabinets in a suitable work area.
- ✓ Keep the work area clean, uncluttered and ensure there is adequate lighting.
- ❑ **WARNING!** Use the cabinets on level and solid ground, preferably concrete.
- ✓ Keep the cabinets clean and tidy in accordance with good workshop practice.
- ✓ Keep children and unauthorised persons away from the work area.
- ✗ **DO NOT** use these cabinets for any purpose other than that for which they are designed.
- ✗ **DO NOT** use the cabinets outdoors.
- ✗ **DO NOT** place the cabinets in a damp or wet location or an area where there is condensation.
- ✗ **DO NOT** clean the cabinets with any solvents which may damage the surfaces or the protective coating.

2. INTRODUCTION

Heavy-duty high end Modular Garage Storage System with an appearance to enhance any garage/workshop. Built to withstand the rigours of any garage environment. Versatile and durable steel construction that will last for years. Easily adjusts to specific needs; purchase a simple base cabinet or create a full garage storage system.

3. SPECIFICATION

Model no	APMS01	APMS02	APMS03	APMS04
Overall size (W x D x H)	775 x 610 x 955mm	1550 x 610 x 955mm	775 x 610 x 955mm	1550 x 640 x 955mm
Small drawer (W x D x H)			(3) 670 x 535 x 55mm	(6) 670 x 535 x 55mm
Large drawer (W x D x H)			(2) 670 x 535 x 130mm	(2) 670 x 535 x 130mm
X large drawer (W x D x H)			(2) 670 x 535 x 205mm	(2) 670 x 535 x 205mm
Full width drawer (W x D x H)				(1) 445 x 535 x 125mm
Nett weight	42kg	75kg	88kg	159kg



Pictured with top fitted, supplied separately

4. ASSEMBLY

4.1. FIT WORKTOP

The only assembly required is to fit the worktop supplied separately and the door handles (if applicable).

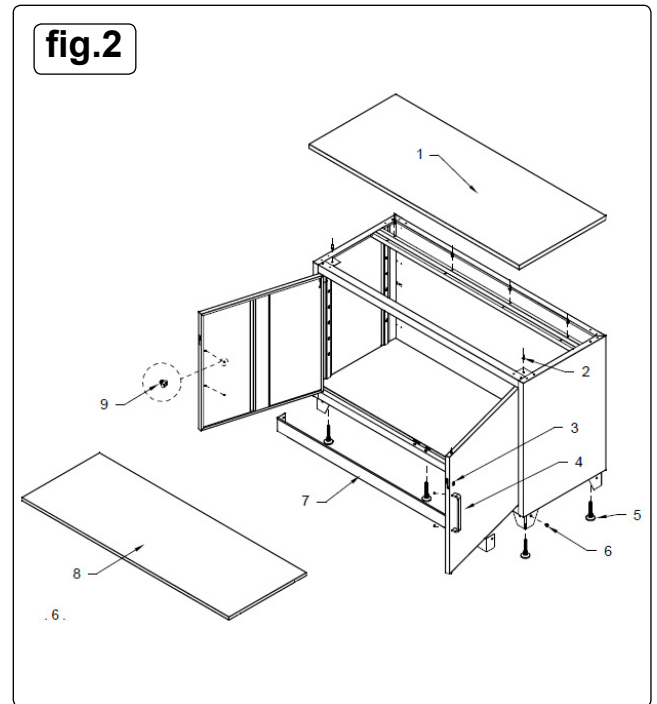
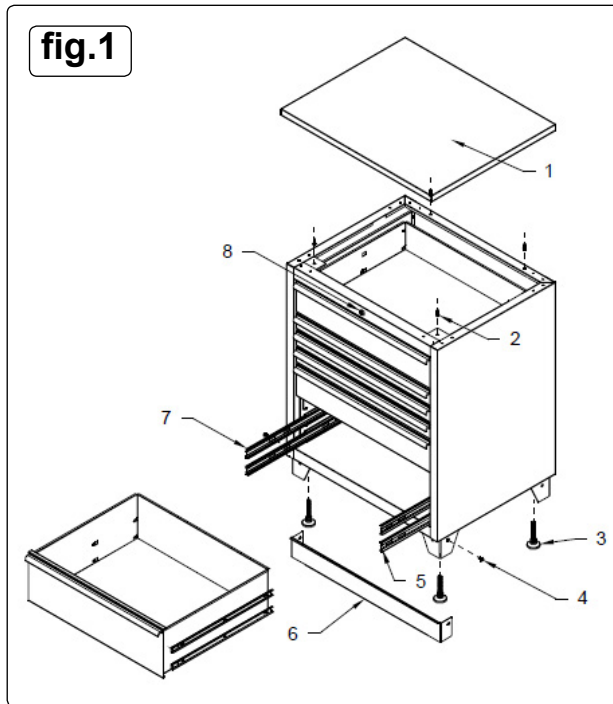
4.1.1. Fit worktop by screwing from underneath using 4 x hex flange bolts (see fig.1) or 6 x hex flange bolts for 60" wide models (see fig.2).

4.2. FIT HANDLES

4.2.1. Handles screw on from the rear, using cross head screws (see fig.2).

4.3. REMOVE DRAWERS (if applicable)

4.3.1. Pull drawer out fully and push black lever in each drawer runner up or down, then pull out drawer to release (see fig.1).



ENVIRONMENT PROTECTION

Recycle unwanted materials instead of disposing of them as waste. All tools, accessories and packaging should be sorted, taken to a recycling centre and disposed of in a manner which is compatible with the environment. When the product becomes completely unserviceable and requires disposal, drain any fluids (if applicable) into approved containers and dispose of the product and fluids according to local regulations.

Note: It is our policy to continually improve products and as such we reserve the right to alter data, specifications and component parts without prior notice.

Important: No Liability is accepted for incorrect use of this product.

Warranty: Guarantee is 12 months from purchase date, proof of which is required for any claim.

Sealey Group, Kempson Way, Suffolk Business Park, Bury St Edmunds, Suffolk. IP32 7AR



01284 757500



01284 703534



sales@sealey.co.uk



www.sealey.co.uk