

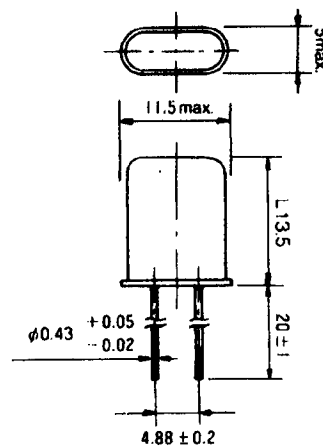
Crystals

Order code	Manufacturer code	Description
90-0205	n/a	4.915200MHZ HC-49/U CRYSTAL

Crystals	Page 1 of 2
The enclosed information is believed to be correct, Information may change 'without notice' due to product improvement. Users should ensure that the product is suitable for their use. E. & O. E.	Revision A 04/07/2003

Quartz Crystal Units

Technical Drawing



Specifications

Holder type
Frequency
Frequency stability at 25°C
Temperature stability
Drive levels
Load capacitance (Cl)
Shunt capacitance (Co)
Vibration mode
Aging
Leak

HC-49U
4.915200MHz
±30ppm typ. ±50ppm max
±30ppm @ -10°C ~ +70°C
1mV max.
12 to 32pf, series (00)
7pf max.
AT-cut, F, 3rd, 5th, 7th overtone.
±5ppm/year
2 x 10⁻⁸cc/sec max. Helium