

DRAPER[®]

STORMFORCE

INSTRUCTIONS FOR
**Compact Composite
Dual Action 50mm Air Sander**

Stock Nos. 65059

Part Nos. SFAS50

IMPORTANT: PLEASE READ THESE INSTRUCTIONS CAREFULLY TO ENSURE THE SAFE AND EFFECTIVE USE OF THIS PRODUCT.

CE



DRAPER[®]

GENERAL INFORMATION

These instructions accompanying the product are the original instructions. This document is part of the product, keep it for the life of the product passing it on to any subsequent holder of the product. Read all these instructions before assembling, operating or maintaining this product.

This manual has been compiled by Draper Tools describing the purpose for which the product has been designed, and contains all the necessary information to ensure its correct and safe use. By following all the general safety instructions contained in this manual, it will ensure both product and operator safety, together with longer life of the product itself. All photographs and drawings in this manual are supplied by Draper Tools to help illustrate the operation of the product. Whilst every effort has been made to ensure the accuracy of information contained in this manual, the Draper Tools policy of continuous improvement determines the right to make modifications without prior warning.

1. TITLE PAGE

1.1 INTRODUCTION:

USER MANUAL FOR:

COMPACT COMPOSITE DUAL ACTION 50MM AIR SANDER

Stock no's. 65059

Part no's. SFAS50

1.2 REVISIONS:

Date first published November 2014

As our user manuals are continually updated, users should make sure that they use the very latest version.

Downloads are available from: <http://www.drapertools.com/b2c/b2cmanuals.pgm>

DRAPER TOOLS LIMITED
HURSLEY ROAD
CHANDLER'S FORD
EASTLEIGH
HAMPSHIRE
SO53 1YFUK

WEBSITE: drapertools.com
PRODUCT HELPLINE: +44 (0) 23 8049 4344
GENERAL FAX: +44 (0) 23 8026 0784

1.3 UNDERSTANDING THIS MANUALS SAFETY CONTENT:

WARNING! Information that draws attention to the risk of injury or death.

CAUTION! Information that draws attention to the risk of damage to the product or surroundings.

1.4 COPYRIGHT © NOTICE:

Copyright © Draper Tools Limited.

Permission is granted to reproduce this publication for personal & educational use only. Commercial copying, redistribution, hiring or lending is prohibited.

No part of this publication may be stored in a retrieval system or transmitted in any other form or means without written permission from Draper Tools Limited.

In all cases this copyright notice must remain intact.

2. CONTENTS

2.1 CONTENTS

	PAGE CONTENT	PAGE
1	TITLE PAGE	
	1.1 INTRODUCTION	2
	1.2 REVISION HISTORY	2
	1.3 UNDERSTANDING THIS MANUAL	2
	1.4 COPYRIGHT NOTICE	2
2	CONTENTS	
	2.1 CONTENTS	3
3	GUARANTEE	
	3.1 GUARANTEE	4
4	INTRODUCTION	
	4.1 SCOPE	5
	4.2 SPECIFICATION	5
5	HEALTH & SAFETY INFORMATION	
	5.1 GENERAL SAFETY INSTRUCTIONS FOR POWER TOOL USE	6
	5.2 ADDITIONAL SAFETY INSTRUCTIONS FOR AIR SANDERS	8
	5.3 RESIDUAL RISK	9A
6	TECHNICAL DESCRIPTION	
	6.1 IDENTIFICATION	10B
7	UNPACKING & CHECKING	
	7.1 PACKAGING	10A
	7.2 WHAT'S IN THE BOX	10A
8	AIR SUPPLY	
	8.1 AIR TOOL OIL SPECIFICATION	11
	8.2 RECOMMENDED AIR SUPPLY SET UP	11
9	ASSEMBLY	
	9.1 CONNECTION TO THE AIR SUPPLY	12
	9.2 REPLACING BACKING PAD	12
	9.3 ATTACHING THE HOOK AND LOOP SHEETS	12
10	OPERATION AND USE	13
	10.1 TRIGGER SWITCH	13
	10.2 VARIABLE SPEED	13
11	MAINTENANCE	
	11.1 EVERY-DAY MAINTENANCE CHECKS	14
	11.2 AFTER USE MAINTENANCE CHECKS	14
12	TROUBLESHOOTING	
	12.1 TROUBLESHOOTING GUIDE	15
13	DISPOSAL	
	13.1 DISPOSAL	16
14	EXPLANATION OF SYMBOLS	
	14.1 EXPLANATION OF SYMBOLS	17
	DECLARATION OF CONFORMITY	ENCLOSED

3. GUARANTEE

3.1 GUARANTEE

Draper tools have been carefully tested and inspected before shipment and are guaranteed to be free from defective materials and workmanship.

Should the tool develop a fault, please return the complete tool to your nearest distributor or contact Draper Tools Limited, Chandler's Ford, Eastleigh, Hampshire, SO53 1YF. England. Telephone Sales Desk: (023) 8049 4333 or Product Helpline (023) 8049 4344.

A proof of purchase must be provided with the tool.

If upon inspection it is found that the fault occurring is due to defective materials or workmanship, repairs will be carried out free of charge. This guarantee period covering parts/labour is 12 months from the date of purchase except where tools are hired out when the guarantee period is ninety days from the date of purchase. This guarantee does not apply to normal wear and tear, nor does it cover any damage caused by misuse, careless or unsafe handling, alterations, accidents, or repairs attempted or made by any personnel other than the authorised Draper warranty repair agent.

Note: If the tool is found not to be within the terms of warranty, repairs and carriage charges will be quoted and made accordingly.

This guarantee applies in lieu of any other guarantee expressed or implied and variations of its terms are not authorised.

Your Draper guarantee is not effective unless you can produce upon request a dated receipt or invoice to verify your proof of purchase within the guarantee period.

Please note that this guarantee is an additional benefit and does not affect your statutory rights.

Draper Tools Limited.

4. INTRODUCTION

4.1 SCOPE

Composite bodied air sander with hook and loop backing pad, suitable for 50mmØ abrasive sheets.

4.2 SPECIFICATION

Stock No.	65059
Part No.	SFAS50
Backing pad diameter.....	50mm
Orbit diameter.....	5mm
Revolutions per minute (no load)	15,000min ⁻¹
Max. operating air pressure	90psi (6.3bar)
Average air consumption	3.0cfm (85L/min)
Minimum air line size.....	3/8" ID
Air inlet.....	1/4" BSP
Sound pressure level*	90dB(A)
Sound power level**	101dB(A)
Vibration level.....	4.5m/s ²
Weight	0.62kgs

Warning: Wear approved safety glasses and ear defenders.

*Continuous A-Weighted Sound Pressure Level at the workstation in accordance to prEN ISO 15744:1999 and declared according to EN ISO 4871.

**A-Weighted Sound Power Level in accordance to prEN ISO 15744:1999 and declared according to EN ISO 4871.

5. HEALTH & SAFETY INFORMATION

5.1 GENERAL SAFETY INSTRUCTIONS FOR POWER TOOL USE

When using any type of power tool there are steps that should be taken to make sure that you, as the user, remain safe.

Common sense and a respect for the tool will help reduce the risk of injury.

Read the instruction manual fully. Do not attempt any operation until you have read and understood this manual.

Most important you must know how to safely start and stop this machine, especially in an emergency.

Keep the work area tidy and clean. Attempting to clear clutter from around the machine during use will reduce your concentration. Mess on the floor creates a trip hazard. Any liquid spilt on the floor could result in you slipping.

Find a suitable location. If the machine is bench mounted; the location should provide good natural light or artificial lighting as a replacement. Avoid damp and dust locations as it will have a negative effect on the machine's performance.

If the machine is portable; do not expose the tool to rain. In all cases do not operate power tools near any flammable materials.

Keep bystanders away. Children, onlookers and passers by must be restricted from entering the work area for their own protection. The barrier must extend a suitable distance from the tool user.

Disconnect and house all power tools that are not in use. An air tool should never be left unattended while connected to the power supply. They must be housed in a suitable location, away locked up and from children.

Do not overload or misuse the tool. All tools are designed for a purpose and are limited to what they are capable of doing. Do not attempt to use a power tool (or adapt it in any way) for an application it is not designed for. Select a tool appropriate for the size of the job. Overloading a tool will result in tool failure and user injury: This covers the use of accessories.

Dress properly. Loose clothing, long hair and jewellery are all dangerous because they can become entangled in moving machinery: This can also result in parts of body being pulled into the machine.

Clothing should be close fitted, with any long hair tied back and jewellery and neck ties removed. Footwear must be fully enclosed and have a nonslip sole.

5. HEALTH & SAFETY INFORMATION

Wear personal protective equipment (PPE). Dust, noise, vibration and swarf can all be dangerous if not suitably protected against. If the work involving the power tool creates dust or fumes; wear a dust mask. Vibration to the hand, caused by operating some tools for longer periods must be protected against. Wear vibration reducing gloves and allow long breaks between uses. Protect against dust and swarf by wearing approved safety goggles or a face shield. These are some of the more common hazards and preventions; however, always find out what hazards are associated with the machine/work process and wear the most suitable protective equipment available.

Do not breathe contaminated air. If the work creates dust or fumes; connect the machine (if possible) to an extraction system either locally or remotely. Working outdoors can also help if possible.

Move the machine as instructed. If the machine is hand held, do not carry it by the air line. If the product is heavy; employ a second or third person to help move it safely or use a mechanical device. Always refer to the instructions for the correct method.

Do not overreach. Extending your body too far can result in a loss of balance and you falling. This could be from a height or onto a machine and will result in injury.

Maintain your tools correctly. A well maintained tool will do the job safely. Replace any damaged or missing parts immediately with original parts from the manufacturer. As applicable; keep blades sharp; moving parts clean, oiled or greased; handles clean; and emergency devices working.

Wait for the machine to stop. Unless the machine is fitted with a safety brake; some parts may continue to move due to momentum. Wait for all parts to stop; then disconnect it from the air line before making any adjustments, carrying out maintenance operations or just finishing using the tool.

Remove and check setting tools. Some machinery requires the use of additional tools or keys to set, load or adjust the power tool. Before starting the power tool always check to make certain they have been removed and are safely away from the machine.

Prevent unintentional starting. Before connecting any machine in to the air supply, make sure the switch is in the OFF position. If the machine is portable; do not hold the machine near the switch and take care when putting the machine down; that nothing can operate the switch.

Concentrate and stay alert. Distractions are likely to cause an accident. Never operate a power tool if you are under the influence of drugs (prescription or otherwise), including alcohol or if you are feeling tired. Being disorientated will result in an accident.

5. HEALTH & SAFETY INFORMATION

Have this tool repaired by a qualified person. This tool is designed to conform to the relevant international and local standards and as such should be maintained and repaired by someone qualified; using only original parts supplied by the manufacturer: This will ensure the tool remains safe to use.

5.2 ADDITIONAL SAFETY INSTRUCTIONS FOR AIR SANDERS

Important: Draper Tools Limited recommends that this machine should not be modified or used for any application other than that for which it was designed. If you are unsure of its relative applications do not hesitate to contact us in writing and we will advise you.

- Air tools shall not be used in potentially explosive atmospheres unless specifically designed for that purpose;
- Unexpected tool movement due to reaction forces or breakage of inserted tool may cause injuries;
- Air tools shall be isolated from the energy source before changing or adjusting the inserted tool;
- **Warning:**
 - There is a risk of loose clothing, hair etc., being caught in the rotating spindle of the air tool;
 - There is a risk of being injured if hands are not kept away from the rotating disc;
 - There is a risk of being injured by whipping air hoses.
- Use only accessories which are in good condition and are intended for use with air sanders;
- Adopt a suitable posture to counteract normal or unexpected movement of the air tool due to reaction forces from the tool;
- Release the start and stop device in the case of an interruption of the energy supply;
- Only lubricants recommended by the manufacturer shall be used;
- Release pressure when not in use. Disconnect from air line;
- Do not modify this air sander in any way.
- Do not carry or move the tool by the air line.

5. HEALTH & SAFETY INFORMATION

5.3 RESIDUAL RISK

Important note:

- Although the safety instructions and operating manuals for our tools contain extensive instructions of safe working with power tools, every power tool involves a certain residual risk which can not be completely excluded by safety mechanisms. Power tools must therefore always be operated with caution!

Blank page

6. TECHNICAL DESCRIPTION

6.1 IDENTIFICATION



- ① Spindle lock aperture
- ② Speed control
- ③ ¼" BSP (female) air inlet
- ④ Directional exhaust outlet
- ⑤ Trigger
- ⑥ 50mm backing pad

7. UNPACKING & CHECKING

7.1 PACKAGING

Carefully remove the product from the packaging and examine it for any sign of damage that may have happened during shipping. Lay the contents out and check them against the parts shown below. If any part is damaged or missing; please contact the Draper Helpline (the telephone number appears on the Title page) and do not attempt to use the product.

The packaging material should be retained at least during the guarantee period: in case the machine needs to be returned for repair.

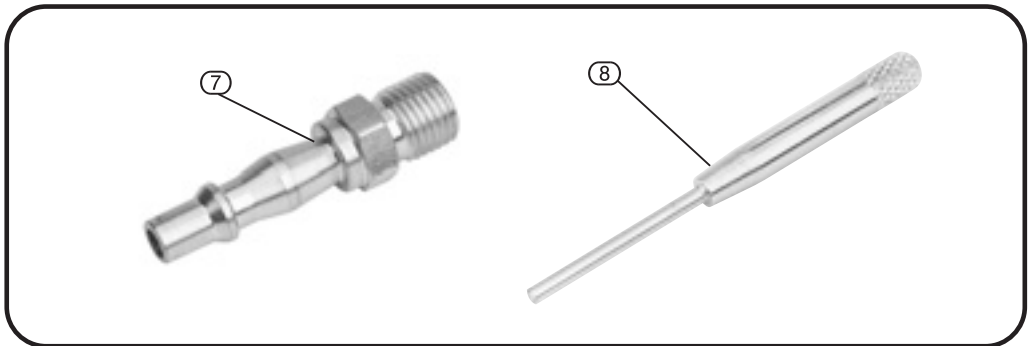
Warning! Some of the packaging materials used may be harmful to children. Do not leave any of these materials in the reach of children.

If any of the packaging is to be thrown away, make sure they are disposed of correctly; according to local regulations.

7.2 WHAT'S IN THE BOX?

Included accessory part:

- ⑦ Airline coupling screw adaptor.
- ⑧ Locking pin.



8. AIR SUPPLY

8.1 AIR TOOL OIL SPECIFICATION

Failure to follow these instructions will lead to premature malfunction of the equipment which is not covered by the guarantee.

Air tool oil viscosity refers to its properties to flow and how it reacts with heat. A low viscosity is thinner than a high viscosity.

Air tool oil becomes thinner as it heats so choosing the right viscosity is essential. If the viscosity is too low it may provide insufficient lubrication when heated. Equally, if it is too high, the fluid may provide excessive resistance to move through the lines when cold.

The ISO (International Standards Organisation) viscosity grading system measures the kinematic viscosity in centistokes (cSt) at 40° which is today's accepted standard. The SAE (Society of Automotive Engineers) viscosity grade value is based on a scale.

This equipment is suited to an ISO grade 22 – 32 (SAE grade 5W – 15W) monograde oil.

The oil must be constantly supplied to the equipment during use to ensure complete lubrication and optimum performance is achieved. It also acts as a rust inhibitor when the equipment is not in use.

We recommend the use of Draper Air Tool Oil:

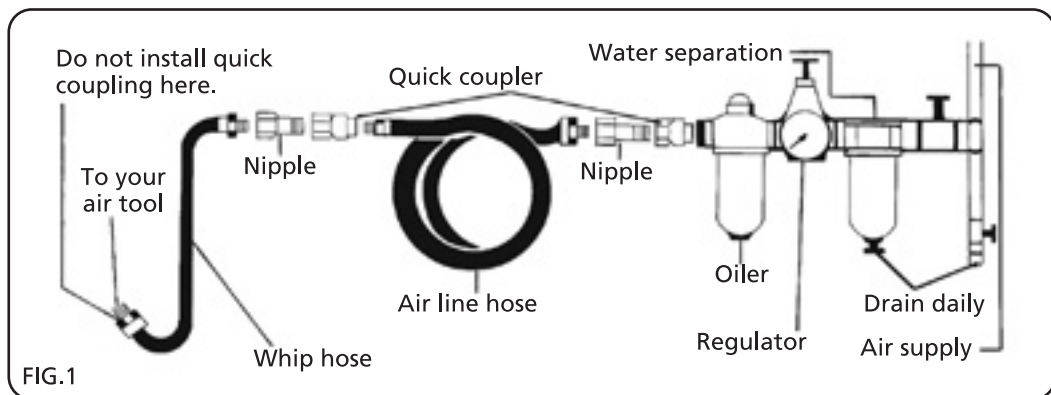
250ml = Stock No.34679, 500ml = Stock No.34681, 1Litre = Stock No.34682.

This air tool operates at a maximum pressure of 90psi and must be controlled via a combination pressure regulator, in-line lubricator and moisture filter such as the Draper range (see your local Draper stockist) which with proper maintenance will ensure a constant supply of dry air and lubricating oil at all times (see illustration below). Always check machine operating pressure before use.

Water in the compressor tank will cause serious corrosion to your air tools and should be drained daily to avoid excessive water in your air supply. Dirty wet air rapidly shortens the life of your air tool.

If you are using an air tool on a hose over 25ft long it is advisable to increase the bore of the hose to the next larger size available, i.e., 1/4" increases 3/8". This will ensure adequate pressure and volume of air to power the machine.

8.2 RECOMMENDED AIR SUPPLY SET UP – FIG. 1



After each use and before prolonged storage, lubricate the equipment with approximately 1.5ml of air tool oil directly down the air inlet.

9. ASSEMBLY

9.1 CONNECTION TO THE AIR SUPPLY – FIG. 2

Whip hose:

To connect the air sander to an air line, a ¼" BSP male thread whip hose* will be required. Wind a length of PTFE tape** around the thread before securing the hose in place. The connection must be tight for an airtight union.

* Draper Stock No.54438.

** Draper Stock No.63389.



FIG. 2

9.2 REPLACING BACKING PAD - FIG. 3

NOTE: The backing pad is considered a consumable item.

To replace the pad it will be necessary to lock the spindle with locking pin (8). This pin locates through slot (1) in the outer casing, passes through the outer spindle and into the inner spindle.

NOTE: The inner spindle has a geometric centre axis, however the outer spindle creates an eccentric orbit for the inner spindle, resulting in the orbit action of the pad.

To align the locking pin apertures, maneuver the backing pad to rotate the outer spindle around its eccentric axis. Monitor the position through the casing and stop when aligned. Then turn the backing pad to rotate the inner spindle on its central axis and complete the alignment. Insert the locking pin and unscrew the backing pad anti-clockwise.

While the locking pin remains located, insert the substitute backing pad and tighten securely.

9.3 ATTACHING THE HOOK & LOOP SHEETS - FIG. 3

NOTE: Disconnect the air supply prior to carrying out maintenance, servicing or adjustment.

This sander is equipped to accept hook & loop type sanding sheets. Simply align the edges of the sanding sheet with the backing pad and press together firmly.

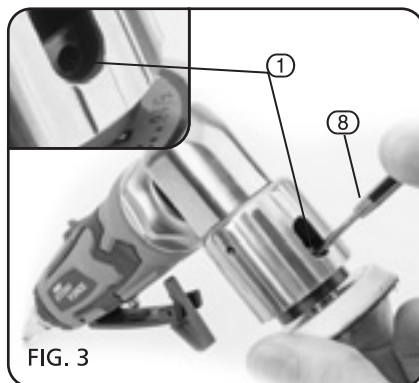


FIG. 3



FIG. 3

10. OPERATION AND USE

10.1 TRIGGER SWITCH – FIG. 4

WARNING

Contact with or inhalation of harmful toxic dusts arising from sanding lead paint surfaces, wood, etc., can endanger the health of operators and bystanders. An approved dust mask shall be worn.

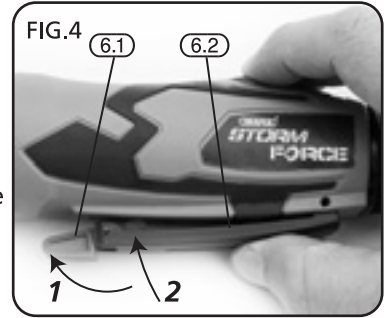
Note: Before connecting the sander to the air supply reduce the line pressure according to the specification.

Due to the risk of unintentional starting the die grinder requires two separate and dissimilar actions to power the tool.

1st push trigger release lever (6.1) forward.

2nd squeeze trigger lever (6.2) against the body of drill.

Note: Before tool operation and work commences ensure the compressor reservoirs are drained of condensate along with all connected air lines. Check and drain the air line regulator's water trap & fill up the lubrication reservoir.



10.2 VARIABLE SPEED – FIG. 5

The speed can be adjusted by turn the selection control (3) on top of drill.

Clockwise to go faster.

Anti-clockwise to slow down.

Apply equal pressure on the workpiece with the backing pad remaining flat. Attempting to sand areas using only the edge will lead to damage to the backing pad.

NOTE: Excess pressure when sanding the effectiveness of the tool.

Replace abrasive discs when clogged with material or when surface/edge has rips, cracks or worn areas.

Inhalation of dust particles can be detrimental to health. Always wear a dust mask suitable for the material being sanded.

NOTE: All wood dust (including dust from composites like chipboards and fibre boards etc) is hazardous to health: it can affect the nose, the respiratory system and the skin. For example MDF (medium density fibreboard) which contains formaldehyde is a known carcinogen. A correctly fitted dust mask, suitable for the activity and in accordance to the relevant standard, must be worn.

For work activities involving exposure to fine wood dust a mask rated to at least FFP2 should be used.

GENERAL SANDING INFORMATION:

Select the correct grit to obtain the desired finish. The higher the grit number the finer the finish. When removing paint from a surface the grit will have a tendency to clog.

Replace abrasive disc when clogged with material or when surface/edge has rips, cracks or worn areas.

NOTE: Abrasive disc and the sander backing pad are consumable items.



11. MAINTENANCE

11.1 EVERY-DAY MAINTENANCE CHECKS

Before connection to the air supply:

- Drain the compressor reservoir of condensate.
- Drain the air lines of condensate.
- Drain the combined separator filter, regulator, water trap.
- Fill up the combined separator filter, regulator, lubricant reservoir.
- Check the line pressure is correct for the tool.

11.2 AFTER USE MAINTENANCE CHECKS

- Repeat the above procedures.
- Lubricate the tool with approximately 1.5ml of oil directly down the air inlet.

12. TROUBLESHOOTING

12.1 TROUBLESHOOTING GUIDE

PROBLEMS	POSSIBLE CAUSE	REQUIRED ACTION
<ul style="list-style-type: none">• Tool will not operate. Air flows slightly from exhaust. Spindle turns freely.	<ul style="list-style-type: none">• Motor or throttle seized with dirt.	<ul style="list-style-type: none">• Check for dirt in air inlet.• Pour air tool lubricating oil into air inlet.• Operate trigger in short bursts.• Disconnect air line supply, then turn drill chuck by hand. Reconnect air supply.• If motor fails to turn, return to service centre.
<ul style="list-style-type: none">• Tool runs slowly. Air flows freely from exhaust.	<ul style="list-style-type: none">• Rotor vane seized.	<ul style="list-style-type: none">• Pour air tool lubricating oil into air inlet.• Operate trigger in short bursts.• Tap motor housing gently with plastic mallet.• If still not functional, return tool to service centre.
<ul style="list-style-type: none">• Spindle seized.	<ul style="list-style-type: none">• Motor vane broken.	<ul style="list-style-type: none">• Return to service centre.
<ul style="list-style-type: none">• Tool will not shut off.	<ul style="list-style-type: none">• 'O' rings throttle valve dislodged from seat inlet valve.	<ul style="list-style-type: none">• Replace 'O' ring or return to service centre.

13. DISPOSAL

13.1 DISPOSAL

- At the end of the machine's working life, or when it can no longer be repaired, ensure that it is disposed of according to national regulations.
- Contact your local authority for details of collection schemes in your area.

In all circumstances:

- Do not dispose of power tools with domestic waste.
- Do not incinerate.
- During decommissioning of the equipment, certain hazards should be understood and avoided:
 - Only with the line pressure released shall the equipment be disassembled. Goggles should be worn.

14. EXPLANATION OF SYMBOLS



The operator's instruction must be read before work starts.



Direction of rotation.



Wear safety glasses.



Wear ear defenders.



Wear dust mask.

- **DRAPER TOOLS LIMITED,**
Hursley Road, Chandler's Ford,
Eastleigh, Hampshire. SO53 1YF. U.K.

- **Helpline:** (023) 8049 4344
- **Sales Desk:** (023) 8049 4333
- **Internet:** drapertools.com
- **E-mail:** sales@drapertools.com
- **Sales Fax:** (023) 8049 4209
- **General Enquiries:** (023) 8026 6355

- **Service/Warranty Repair Agent**
For aftersales servicing or warranty repairs, please
contact the Draper Tools Helpline for details of an
agent in your local area.

YOUR DRAPER STOCKIST