

DRAPER[®]

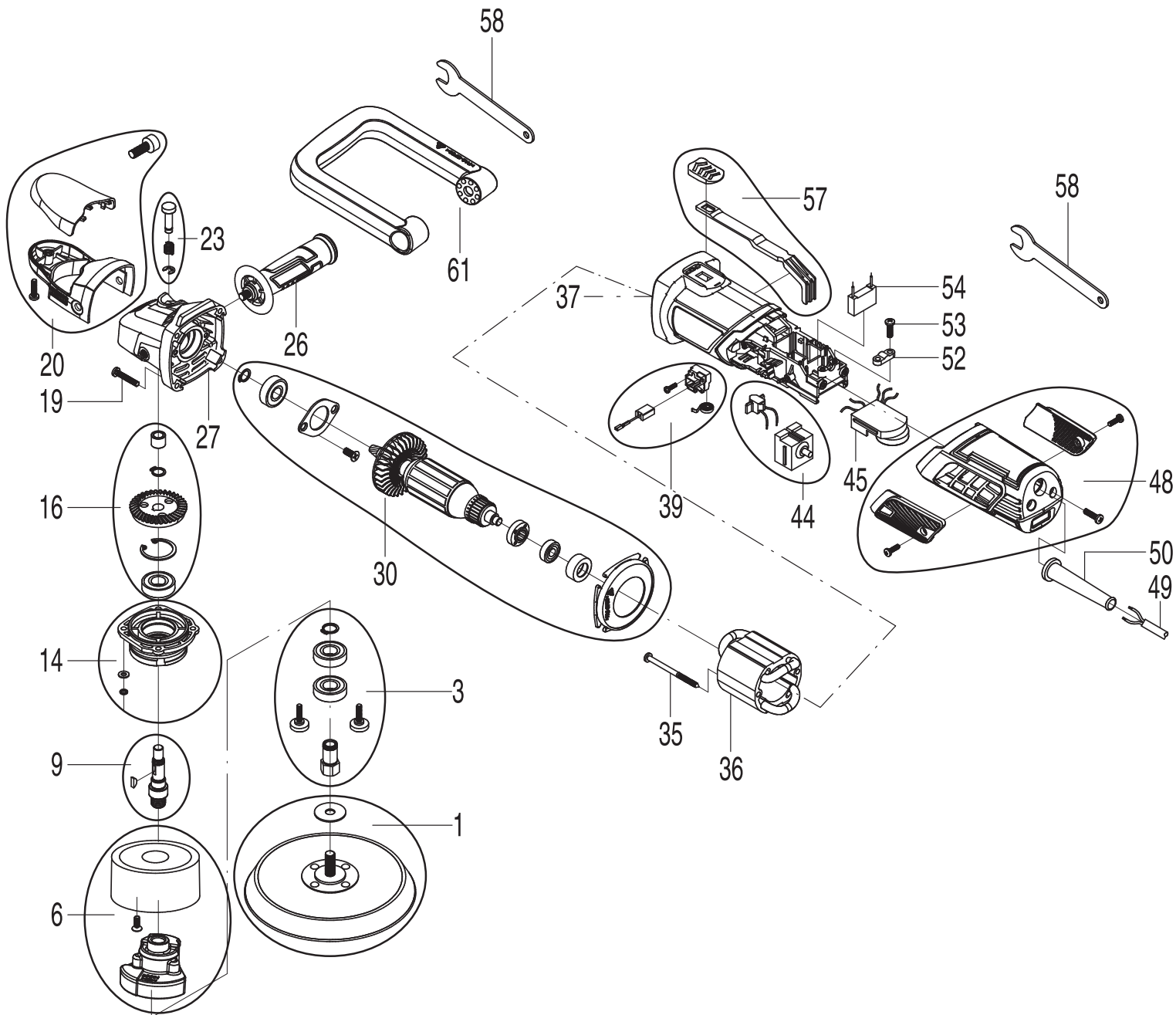
230V

DUAL ACTION POLISHER

GB

01817 - DA900SF SPARE PARTS DRAWING

**STORM
FORCE**





230V

DUAL ACTION POLISHER 

01817 - DA900SF SPARE PARTS LISTING



KEY No.	PART No.	STOCK No.	DESCRIPTION	KEY No.	PART No.	STOCK No.	DESCRIPTION
1	YDA900SF-1	98269	Backing pad				
3	YDA900SF-3	98270	Six angle output shaft assembly				
6	YDA900SF-6	98271	Orbital bearing				
9	YDA900SF-9	98272	Output shaft assembly				
14	YDA900SF-14	98273	Front cover assembly				
16	YDA900SF-16	98274	Big gear assembly				
19	YDA900SF-19	98275	Cross tapping screw				
20	YDA900SF-20	98276	Head shell guard assembly				
23	YDA900SF-23	98277	Self-lock pin assembly				
24	YDA900SF-24	98278	Locking pin spring				
25	YDA900SF-25	98279	Split washer				
26	YDA900SF-26	98280	Auxiliary handle				
27	YDA900SF-27	98281	Head shell				
30	YDA900SF-30	98282	Rotor assembly				
35	YDA900SF-35	98283	Cross tapping screw				
36	YDA900SF-36	98284	Stator				
37	YDA900SF-37	98285	Housing				
39	YDA900SF-39	98286	Carbon brush assembly (pair)				
44	YDA900SF-44	98287	Switch assembly				
45	YDA900SF-45	98288	Speed controller				
48	YDA900SF-48	98289	rear cover assembly				
49	YDA900SF-49	98290	Cable plug				
50	YDA900SF-50	98291	Cable jacket				
52	YDA900SF-52	98292	Cable plate				
53	YDA900SF-53	98293	Cross tapping screw				
54	YDA900SF-54	98294	Capacitor				
57	YDA900SF-57	98295	Push button assembly				
58	YDA900SF-58	98296	Wrench				
59	YDA900SF-59	98297	Six angle screw				
61	YDA900SF-61	98298	D handle				

Helpline: +44 (0) 23 8049 4344 Sales Desk: +44 (0) 23 8049 4333 General Enquiries: +44 (0) 23 8026 6355 internet: drapertools.com email: sales@drapertools.com