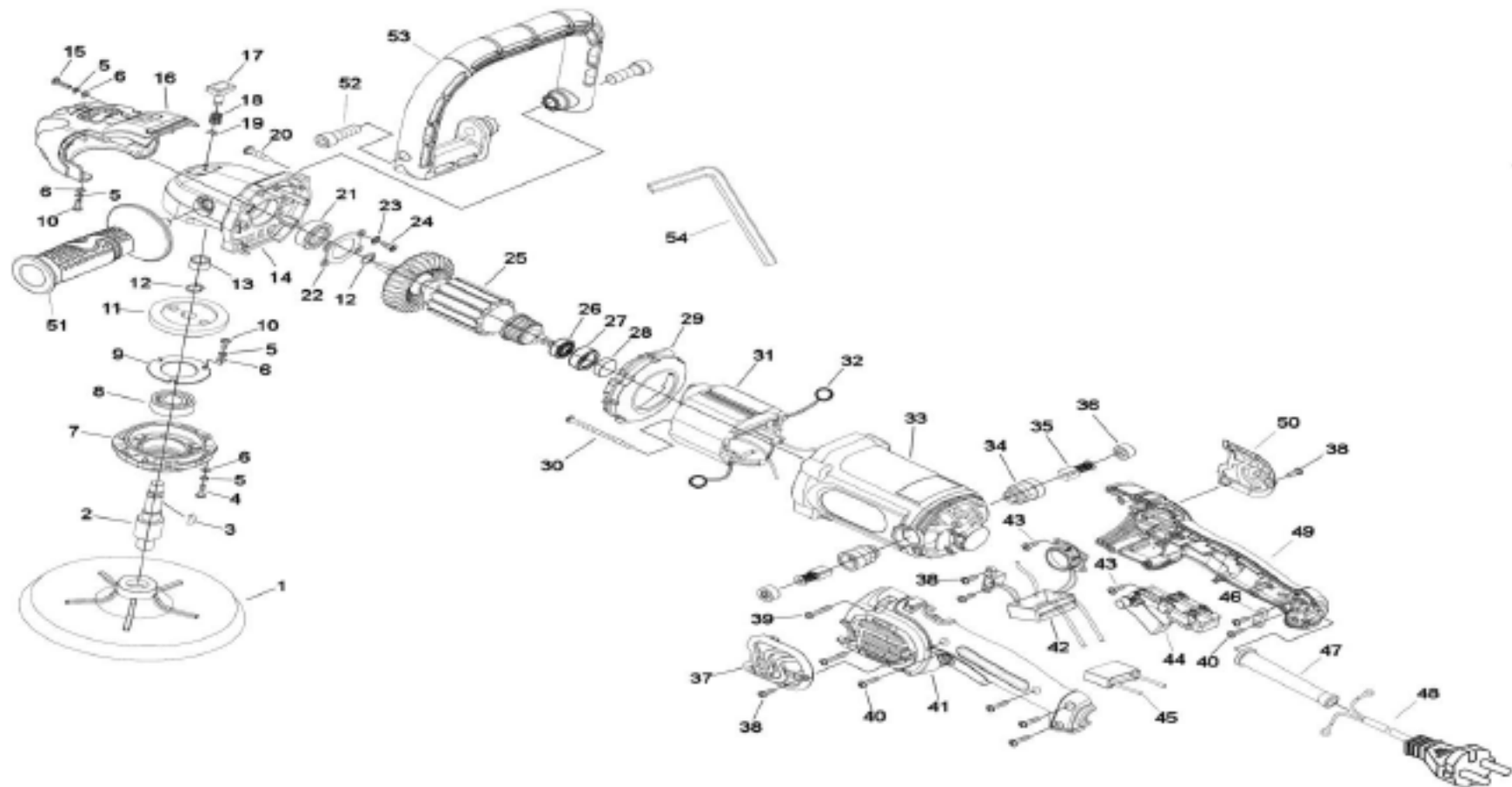




Parts Information:
Sander/Polisher Ø180mm Variable Speed 1400W/230V
Model No: MS925PS



NOTE: It is our policy to continually improve products and as such we reserve the right to alter data, specifications and component parts without prior notice.

IMPORTANT: No liability is accepted for incorrect use of product.

WARRANTY: Guarantee is 12 months from purchase date, proof of which will be required for any claim.

Sealey Group, Kempson Way, Suffolk Business Park, Bury St Edmunds, Suffolk. IP32 7AR



01284 757500



01284 703534



sales@sealey.co.uk



www.sealey.co.uk



Parts Information:
**Sander/Polisher Ø180mm Variable Speed
1400W/230V
Model No: MS925PS**

Item	Part No.	Description
1	MS925PS.01	POLISHING DISC
2	MS925PS.02	OUTPUT SPINDLE
3	MS925PS.03	KEY 4x13
4	MS925PS.04	SCREW M4x14
5	MS925PS.05	WASHER M4
6	MS925PS.06	FLAT PAD M4
7	MS925PS.07	GEAR HOUSING COVER
8	MS925PS.08	BEARING B/6202
9	MS925PS.09	BEARING COVER
10	MS925PS.10	SCREW M4x14
11	MS925PS.11	GEAR
12	MS925PS.12	CIRCLIP M12
13	MS925PS.13	NEEDLE BEARING M16x10x10
14	MS925PS.14	GEARCASE
15	MS925PS.15	SCREW M4x18
16	MS925PS.16	PLASTIC HOUSING
17	MS925PS.17	LOCKING PRESS BUTTON
18	MS925PS.18	LOCKING PRESS SPRING
19	MS925PS.19	E-RING
20	MS925PS.20	SCREW ST5x25
21	MS925PS.21	BEARING B/6201
22	MS925PS.22	BEARING COVER
23	MS925PS.23	STAR WASHER M4
24	MS925PS.24	SCREW M4x10
25	MS925PS.25	ARMATURE
26	MS925PS.26	BEARING B/608
27	MS925PS.27	BEARING SEAT

Item	Part No.	Description
28	MS925PS.28	MAGNET RING
29	MS925PS.29	FAN BAFFLE
30	MS925PS.30	SCREW ST4x65
31	MS925PS.31	STATOR
32	MS925PS.32	PULL SPRING
33	MS925PS.33	HOUSING
34	MS925PS.34	BRUSH HOLDER
35	MS925PS.35	CARBON BRUSH
36	MS925PS.36	BRUSH HOLDER CAP
37	MS925PS.37	HANDLE, LEFT SIDE COVER
38	MS925PS.38	SCREW ST4x12
39	MS925PS.39	SCREW ST4x12
40	MS925PS.40	SCREW ST4x12
41	MS925PS.41	HANDLE, LEFT SIDE
42	MS925PS.42	SPEED CONTROLLER
43	MS925PS.43	SCREW ST4x10
44	MS925PS.44	SWITCH
45	MS925PS.45	CAPACITOR 0.22uF
46	MS925PS.46	CORD CLAMP
47	MS925PS.47	CABLE SLEEVE
48	MS925PS.48	POWER CABLE
49	MS925PS.49	HANDLE, RIGHT SIDE
50	MS925PS.50	HANDLE COVER (LEFT & RIGHT)
51	MS925PS.51	SIDE HANDLE
52	MS925PS.52	HEX HEAD BOLT M10x30
53	MS925PS.53	D-SHAPE HANDLE
54	MS925PS.54	HEX WRENCH M8

NOTE: It is our policy to continually improve products and as such we reserve the right to alter data, specifications and component parts without prior notice.

IMPORTANT: No liability is accepted for incorrect use of product.

WARRANTY: Guarantee is 12 months from purchase date, proof of which will be required for any claim.

Sealey Group, Kempson Way, Suffolk Business Park, Bury St Edmunds, Suffolk. IP32 7AR



01284 757500



01284 703534



sales@sealey.co.uk



www.sealey.co.uk