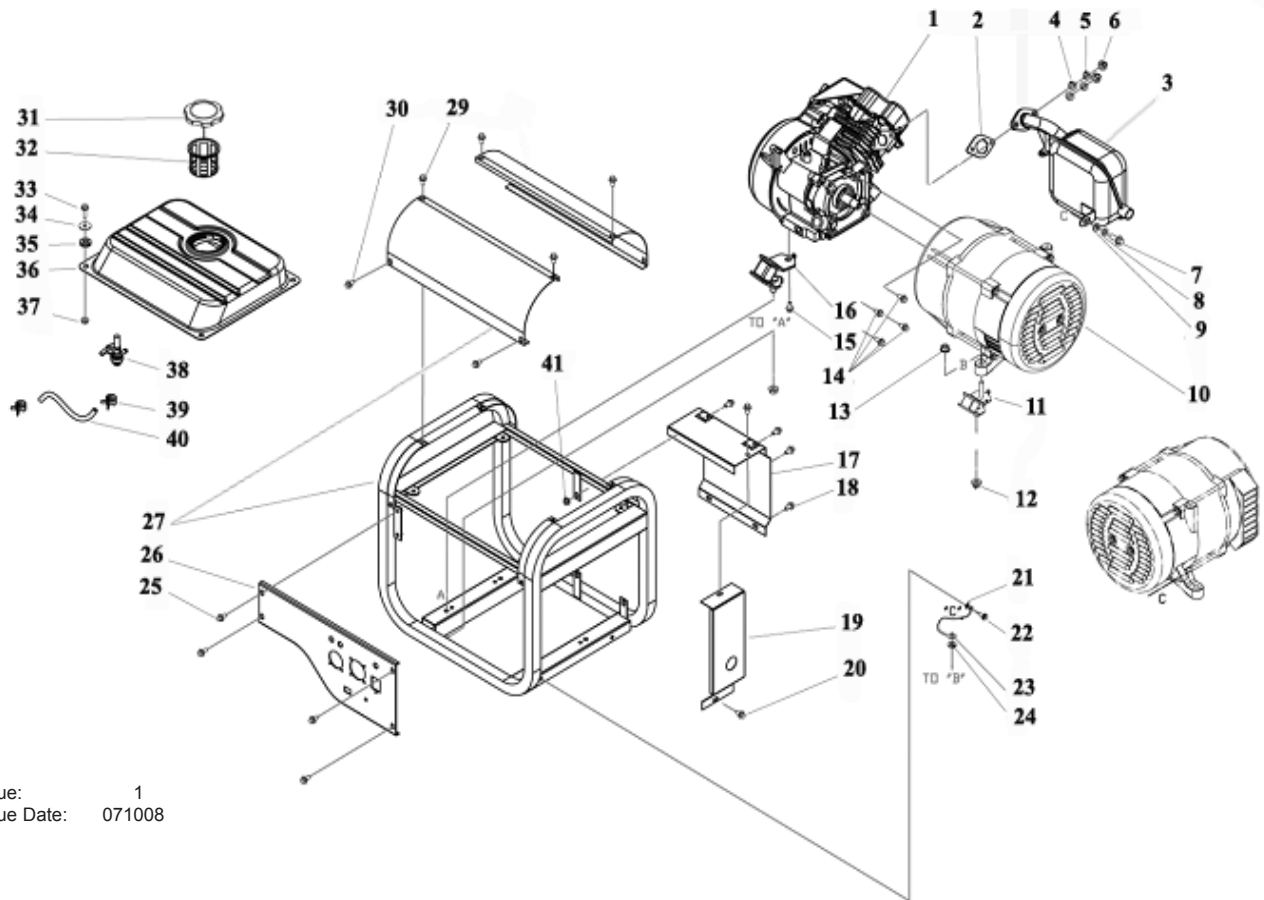


MAIN ASSEMBLY



Issue: 1
 Issue Date: 071008

ITEM	PART NO	DESCRIPTION	ITEM	PART NO	DESCRIPTION
1	GG1100.01	ENGINE	21	GG1100.21	GASKET
2	GG1100.02	EXHAUST GASKET	22	GG1100.22	FLANGE BOLT M8*12
3	GG1100.03	MUFFLER / AIR FILTER	23	GG1100.23	WIRE
4	GG1100.04	WASHER	24	GG1100.24	GASKET
5	GG1100.05	SPRING WASHER	25	GG1100.25	FLANGE BOLT M6*12
6	GG1100.06	FLANGE NUT M8	26	GG1100.26	CONTROL PANEL ASS'Y
7	GG1100.07	FLANGE BOLT M8*20	27	GG1100.27	FRAME
8	GG1100.08	SPRING WASHER	29	GG1100.29	FLANGE BOLT M6*12
9	GG1100.09	WASHER	30	GG1100.30	FLANGE BOLT M6*12
10	GG1100.10	ALTERNATOR	31	GG1100.31	FUEL TANK CAP ASS'Y
11	GG1100.11	SHOCK ABSORBER	32	GG1100.32	FUEL FILTER
12	GG1100.12	FLANGE NUT M8	33	GG1100.33	FLANGE BOLT M6*25
13	GG1100.13	FLANGE NUT M8	34	GG1100.34	WASHER
14	GG1100.14	FLANGE BOLT M8*20	35	GG1100.35	SHOCK ABSORBER
15	GG1100.15	FLANGE BOLT M8*30	36	GG1100.36	FUEL TANK (6ltr)
16	GG1100.16	SHOCK ABSORBER	37	GG1100.37	NUT M6
17	GG1100.17	MUFFLER COVER	38	GG1100.38	FUEL SWITCH
18	GG1100.18	FLANGE BOLT M6*12	39	GG1100.39	CLAMP
19	GG1100.19	MUFFLER SIDE	40	GG1100.40	FUEL PIPE
20	GG1100.20	FLANGE BOLT M6*12	41	GG1100.41	NUT M6

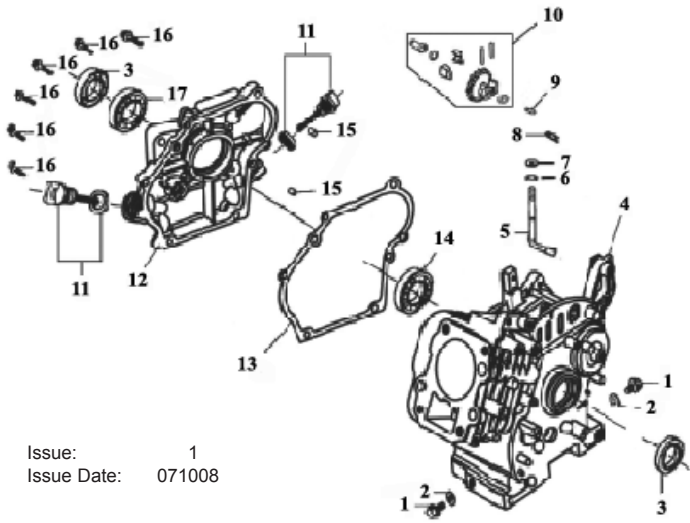
NOTE: It is our policy to continually improve products and as such we reserve the right to alter data, specifications and component parts without prior notice.

IMPORTANT: No liability is accepted for incorrect use of product.

WARRANTY: Guarantee is 12 months from purchase date, proof of which will be required for any claim.

INFORMATION: For a copy of our latest catalogue and promotions call us on 01284 757525 and leave your full name and address, including postcode.

CRANKCASE PARTS

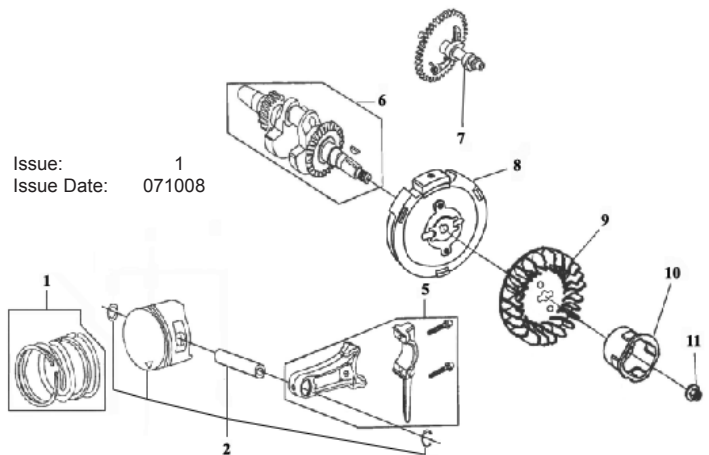


ITEM	PART NO	DESCRIPTION
1	GG1100.CC1	DRAIN PLUG
2	GG1100.CC2	DRAIN PLUG WASHER
3	GG1100.CC3	CRANKSHAFT OIL SEAL
4	GG1100.CC4	CRANKCASE
5	GG1100.CC5	REGULATING BAR
6	GG1100.CC6	CIRCLIP
7	GG1100.CC7	WASHER
8	GG1100.CC8	SPLIT PIN
9	GG1100.CC9	REGULATING SHAFT
10	GG1100.CC10	DRIVEN GEAR ASS'Y
11	GG1100.CC11	DIPSTICK (c/w SEAL)
12	GG1100.CC12	CRANKCASE COVER
13	GG1100.CC13	CRANKCASE GASKET
14	B/6203	BEARING, 6203
15	GG1100.CC15	SET PIN 8*16
16	GG1100.CC16	BOLT M6*25
17	B/6303	BEARING

Issue: 1
 Issue Date: 071008

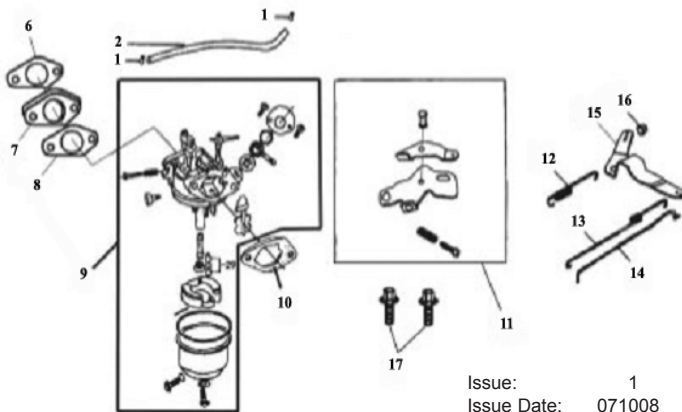
CRANKSHAFT / PISTON / CAMSHAFT / FLYWHEEL ASS'Y PARTS

ITEM	PART NO	DESCRIPTION
1	GG1100.CS1	PISTON RING SET
2	GG1100.CS2	PISTON (c/w PIN & CIRCLIP)
5	GG1100.CS5	CONNECT ROD ASS'Y
6	GG1100.CS6	CRANK ASS'Y
7	GG1100.CS7	CAMSHAFT ASS'Y
8	GG1100.CS8	FLYWHEEL
9	GG1100.CS9	FLYWHEEL FAN
10	GG1100.CS10	STARTING FLANGE
11	GG1100.CS11	NUT M12*1.5



Issue: 1
 Issue Date: 071008

FUEL SUPPLY PARTS



Issue: 1
 Issue Date: 071008

ITEM	PART NO	DESCRIPTION
1	GG1100.FS1	PIPE CLAMP
2	GG1100.FS2	FUEL PIPE
6	GG1100.FS6	INLET GASKET
7	GG1100.FS7	CONNECTING BLOCK
8	GG1100.FS8	CARBURETTOR GASKET
9	GG1100.FS9	CARBURETTOR ASS'Y
10	GG1100.FS10	GASKET, AIR CLEANER
11	GG1100.FS11	REGULATING CONTROL ASS'Y
12	GG1100.FS12	BACK SPRING
13	GG1100.FS13	REGULATING SPRING
14	GG1100.FS14	PULLING ROD
15	GG1100.FS15	REGULATING ARM
16	GG1100.FS16	NUT M6
17	GG1100.FS17	BOLT M6*8

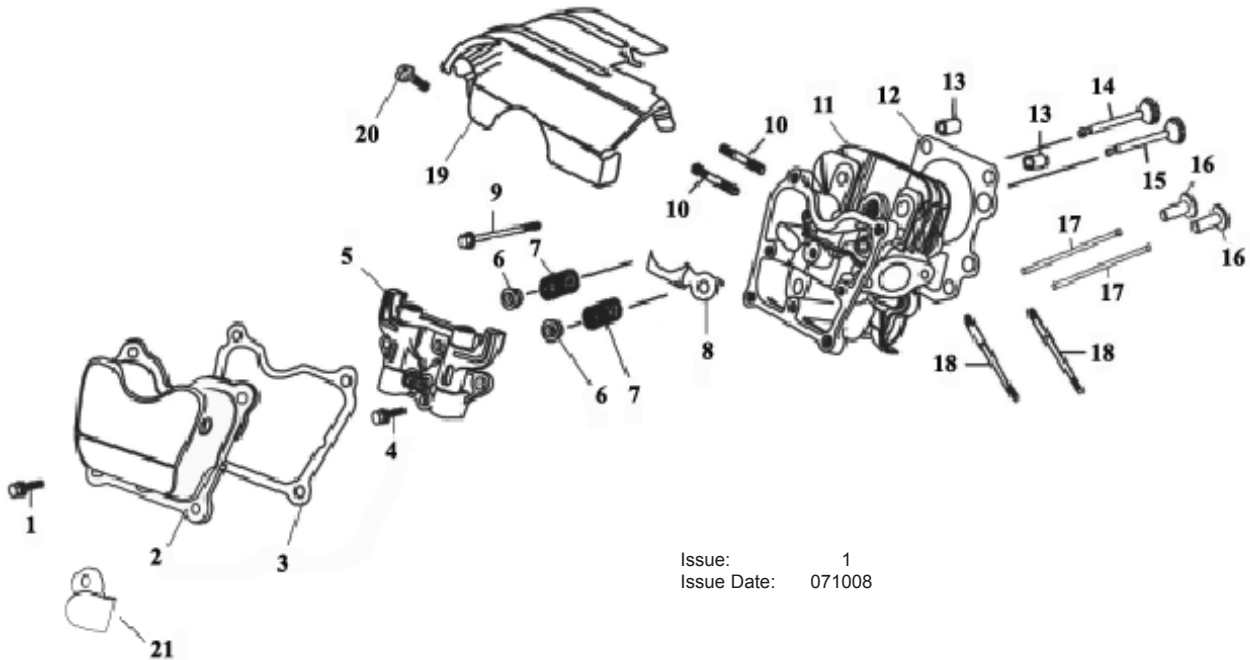
NOTE: It is our policy to continually improve products and as such we reserve the right to alter data, specifications and component parts without prior notice.

IMPORTANT: No liability is accepted for incorrect use of product.

WARRANTY: Guarantee is 12 months from purchase date, proof of which will be required for any claim.

INFORMATION: For a copy of our latest catalogue and promotions call us on 01284 757525 and leave your full name and address, including postcode.

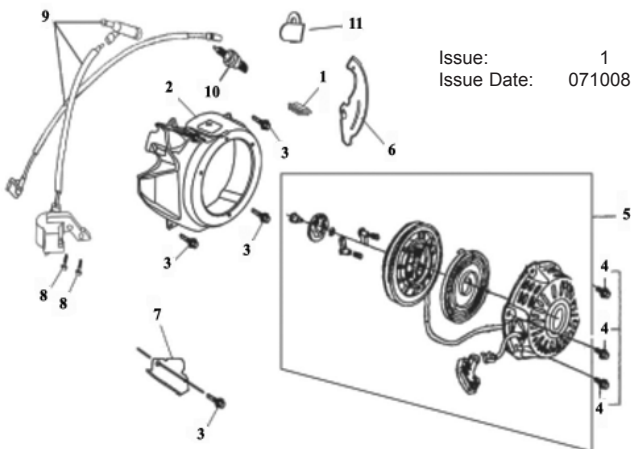
CYLINDER HEAD PARTS



Issue: 1
 Issue Date: 071008

ITEM	PART NO	DESCRIPTION	ITEM	PART NO	DESCRIPTION
1	GG1100.CH1	BOLT M6*14	11	GG1100.CH11	CYLINDER HEAD ASS'Y
2	GG1100.CH2	CYLINDER HEAD COVER	12	GG1100.CH12	CYLINDER HEAD GASKET
3	GG1100.CH3	GASKET, CYLINDER HEAD COVER	13	GG1100.CH13	SET PIN 8*16
4	GG1100.CH4	BOLT M6*18	14	GG1100.CH14	EXHAUST VALVE
5	GG1100.CH5	VALVE ROCKER ASS'Y	15	GG1100.CH15	INTAKE VALVE
6	GG1100.CH6	SPRING SEAT	16	GG1100.CH16	TAPPET
7	GG1100.CH7	VALVE SPRING	17	GG1100.CH17	VALVE PUSHER
8	GG1100.CH8	OIL LEVER	18	GG1100.CH18	STUD M6*91
9	GG1100.CH9	BOLT M8*50	19	GG1100.CH19	COVER
10	GG1100.CH10	STUD M8*34	20	GG1100.CH20	BOLT M6*10

RECOIL STARTER & IGNITION COIL ASS'Y PARTS



Issue: 1
 Issue Date: 071008

ITEM	PART NO	DESCRIPTION
1	GG1100.RS1	BLOCK
2	GG1100.RS2	FAN HOOD
3	GG1100.RS3	BOLT M6*14
4	GG1100.RS4	BOLT M6*12
5	GG1100.RS5	RECOIL STARTER ASS'Y
6	GG1100.RS6	BAFFLE PLATE (LARGE)
7	GG1100.RS7	BAFFLE PLATE (SMALL)
8	GG1100.RS8	BOLT M6*20
9	GG1100.RS9	IGNITION COIL ASS'Y
10	GG1100.RS10	SPARK PLUG
11	GG1100.RS11	NAME PLATE

NOTE: It is our policy to continually improve products and as such we reserve the right to alter data, specifications and component parts without prior notice.

IMPORTANT: No liability is accepted for incorrect use of product.

WARRANTY: Guarantee is 12 months from purchase date, proof of which will be required for any claim.

INFORMATION: For a copy of our latest catalogue and promotions call us on 01284 757525 and leave your full name and address, including postcode.