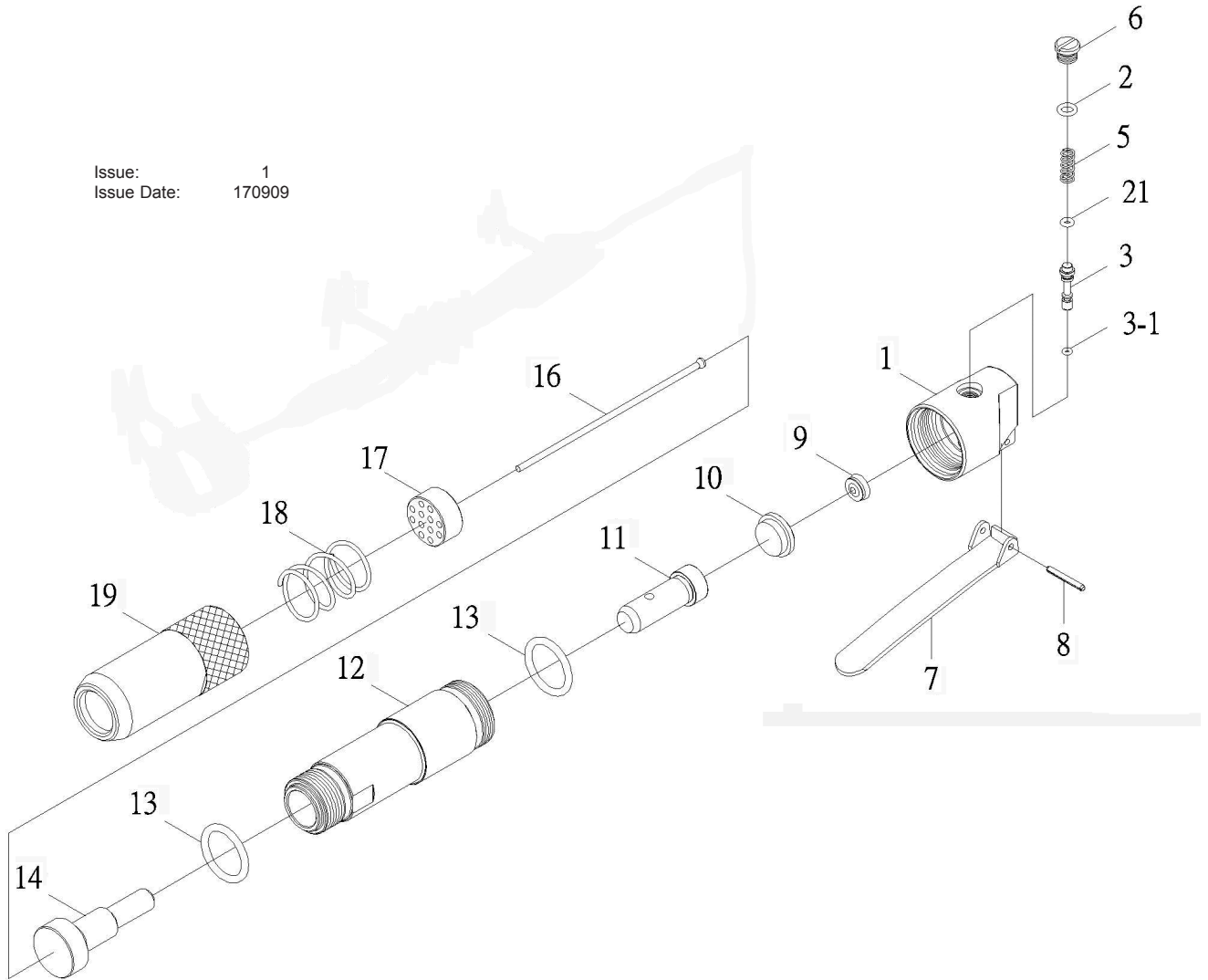


Issue: 1  
 Issue Date: 170909



ITEM	PART NO	DESCRIPTION	ITEM	PART NO	DESCRIPTION
1	SA51/01	BACKHEAD	11	SA51/11	PISTON
2	SA51/02	O-RING	12	SA51/12	SLEEVE, BARREL
3	SA51/03	VALVE, THROTTLE	13	SA51/13	O-RING
3-1	SA51.03-1	O-RING	14	SA51/14	DRIVER, NEEDLE
5	SA51/05	SPRING	16	SA51/16	NEEDLE 125mm (Set of 12)
6	SA51/06	CAP, VALVE	17	SA51/17	HOLDER, NEEDLE
7	SA51/07	LEVER	18	SA51/18	SPRING FOR NEEDLES
8	SA51/08	PIN	19	SA51/19	TUBE, NEEDLE
9	SA51/09	CUSHION, RUBBER	21	SA51.21	O-RING
10	SA51/10	BLOCK, REAR VALVE			

**NOTE:** It is our policy to continually improve products and as such we reserve the right to alter data, specifications and component parts without prior notice.

**IMPORTANT:** No liability is accepted for incorrect use of product.

**WARRANTY:** Guarantee is 12 months from purchase date, proof of which will be required for any claim.

**INFORMATION:** For a copy of our latest catalogue and promotions call us on 01284 757525 and leave your full name and address, including postcode.