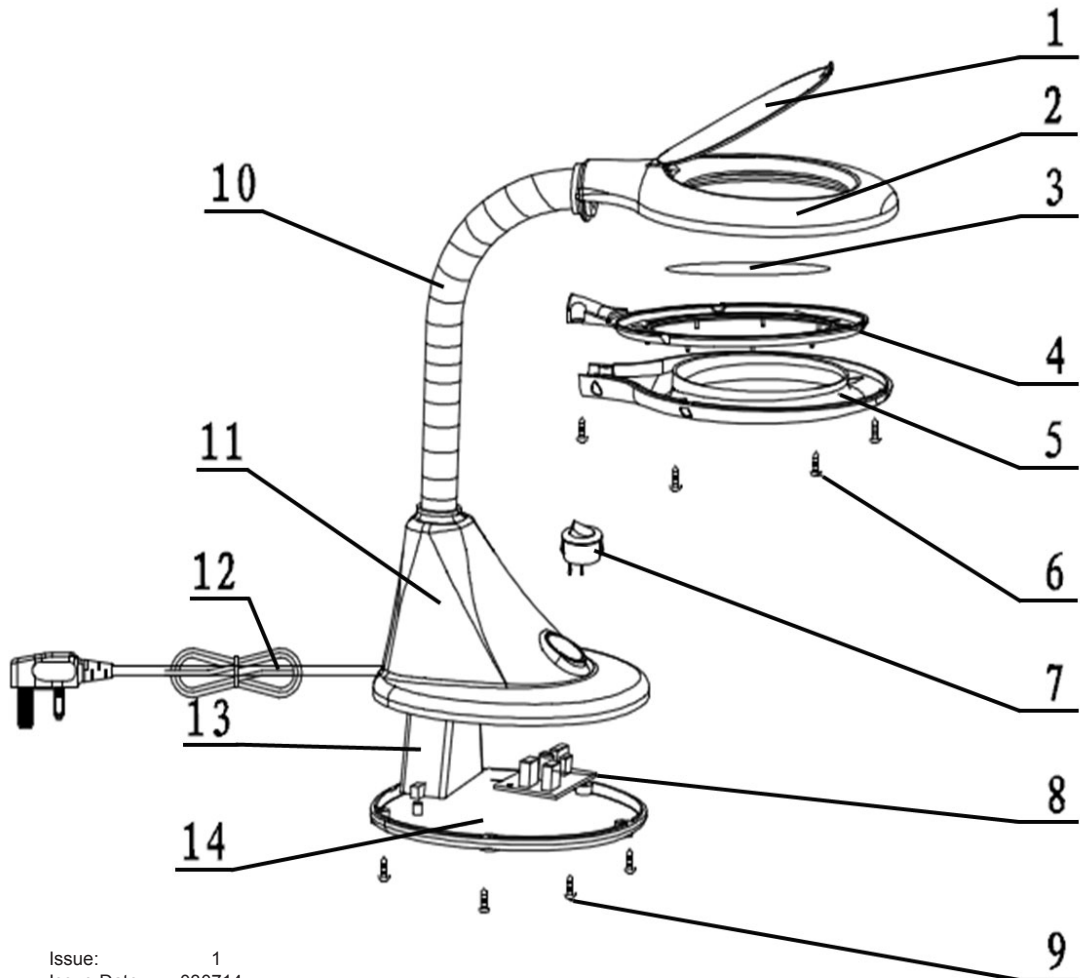




PARTS FOR  
**FREESTANDING FLEXIBLE WORK LIGHT 18 SMD LED**  
 MODEL: **WL183D**



Issue: 1  
 Issue Date: 030714

ITEM	PART NO	DESCRIPTION
1	WL183D.01	LENS CAP
2	WL183D.02	UPPER FRAME
3	WL183D.03	LENS
4	WL183D.04	LED BOARD
5	WL183D.05	DIFFUSER
6	WL183D.06	SCREW
7	WL183D.07	SWITCH
8	WL183D.08	SWITCH HOLDER
9	WL183D.09	SCREW
10	WL183D.10	FLEXIBLE ARM & COVER
11	WL183D.11	BASE HOUSING
12	WL183D.12	PLUG & CABLE
13	WL183D.13	WEIGHT
14	WL183D.14	BASE BOTTOM

**NOTE:** It is our policy to continually improve products and as such we reserve the right to alter data, specifications and component parts without prior notice.

**IMPORTANT:** No liability is accepted for incorrect use of product.

**WARRANTY:** Guarantee is 12 months from purchase date, proof of which will be required for any claim.

**INFORMATION:** For a copy of our latest catalogue and promotions call us on 01284 757525 and leave your full name and address, including postcode.



Sole UK Distributor,  
 Sealey Group, Kempson Way,  
 Suffolk Business Park,  
 Bury St Edmunds, Suffolk, IP32 7AR



01284 757500



01284 703534



[www.sealey.co.uk](http://www.sealey.co.uk)



[sales@sealey.co.uk](mailto:sales@sealey.co.uk)