

VR02 FPV Goggle Instructions



Contents

Goggle Specifications	3
Operating Instructions	5
Band and Channel Selection	6
Frequency Sweep Function	7
Fast Frequency Search Function	8

What is in the box



- 1 BETAFPV VR02 FPV Goggles
- 2 Adjustable Headband

Goggle Specifications

VR02 FPV Goggles - the First-Person-View Goggle with simple operation and powerful function, specially designed for FPV starters.

With the built-in antennas and structure patented design, the VR02 Goggles are compact and lightweight, weighing less than 300g they are comfortable to wear and carry.

VR02 goggles come with built-in 5.8G 14DBI high-quality antennas, you can receive stable and clear images even for long-range flights.

With 4.3 inches 800*480px HD high brightness LCD, the Goggles provide you with a clear image of the camera view. They are specially designed for FPV racing or model aircraft.

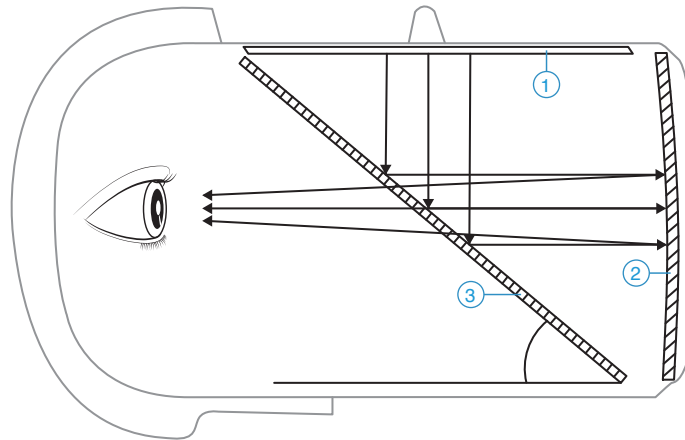
The frequency sweep function and the fast frequency auto-search function (only 2.5 seconds), allow pilots to easily find a band and channel with a stronger signal for a better flight experience.

The advanced auto-searching function will show you the working frequency on the screen clearly.

The Goggles have an ergonomic design with a foam sponge faceplate and a three-sided adjustable headband, designed to fit your face and head perfectly.

PART	SPECIFICATION
BODY	<ul style="list-style-type: none">• Dimensions: 126 x 143 x 86.3mm• Weight: 300g, with 2hr 2000mAh battery• Three-Way adjustable headband
SCREEN	<ul style="list-style-type: none">• Screen size: 4.3 inch• Screen resolution: 800*480 px• Screen brightness: 300cd/m²• View Angle: 55°
JACK	<ul style="list-style-type: none">• Type-C Charging• Voltage: 3.7V (device operating current 500mA@3.7V)• Current: 500mA
BATTERY	<p>Built-in 3.7V/2000mAh high-capacity polymer battery, The charging indicator LED will turn on while charging. When charging is completed, the LED will turn off.</p> <p>Each full charge takes 2 hours working time.</p>

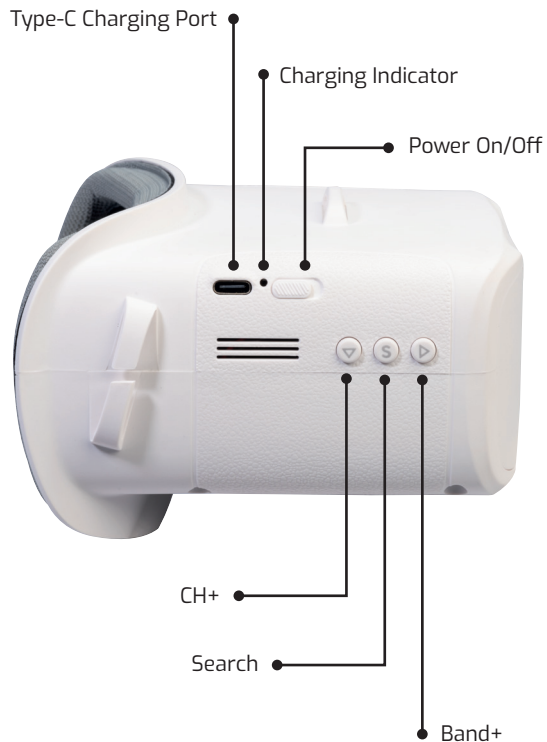
Goggle Specifications



- ① 4.3 inches LCD
- ② Concave Mirror
- ③ Beam Splitter

With the built-in antennas and the special design of the Goggles lens, the VR02 Goggles are compact with a small, lightweight body.

Operating Instructions



BUTTON	INSTRUCTION
Power On/Off	Slide the switch to the right to switch On, and to the left to switch Off. The screen will light up after a normal boot.
Band+	Short press for Band+ option A, B, E, F, R, L cycle selection.
Search	After powering on, short press the "S" button to enter the sweeping interface. Press and hold the "S" button for 1 second to start the frequency auto-search. Short press the "S" button again, to return to the camera view screen display.
CH+	Short press for CH 1~8 cycles.

Band and Channel Selection

CH	CH 1 (MHz)	CH 2 (MHz)	CH 3 (MHz)	CH 4 (MHz)	CH 5 (MHz)	CH 6 (MHz)	CH 7 (MHz)	CH 8 (MHz)
GROUP								
A	5865	5845	5825	5805	5785	5765	5745	5725
B	5733	5752	5771	5790	5809	5828	5847	5866
E	5705	5685	5665	5645	5885	5905	5925	5945
F	5740	5760	5780	5800	5820	5840	5860	5880
R	5658	5695	5732	5769	5806	5843	5880	5917
L	5362	5399	5436	5473	5510	5547	5584	5621

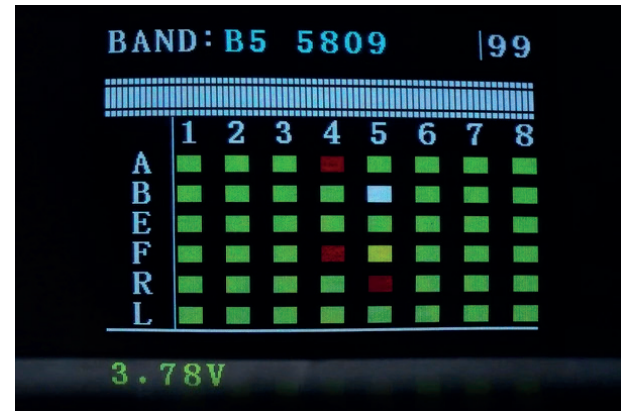
- The VR02 FPV Goggles have a frequency sweep function and a fast frequency auto-search function, these help pilots find a stronger frequency Band, to get a better flight experience.
- The frequency sweep function can display the occupancy status of each channel in the current space, so that pilots can fly with a better frequency Band and enhance the flight experience.

Frequency Sweep Function

How to use the frequency sweep function?

After powering on, short press the "S" button to enter the sweeping interface, as shown below. Pilots can change the frequency Band via the "Band+" and "Ch+" buttons. Short press the "S" button again, to return to the camera view screen display.

Green	$0 < \text{RSSI} < 20$, not occupied
Yellow	$20 < \text{RSSI} < 70$, there is a drone occupying the Band far away, or there is interference
Red	$70 < \text{RSSI} < 99$, occupied
White	Current Band (highest RSSI in the sweep result)



Fast Frequency Search Function

How to use the fast frequency search function?

After powering on, press and hold the "S" button for 1 second to start the frequency auto-search. The frequency auto-search process is 2.5 seconds. After the frequency auto-search is over, it will beep twice and jump to the corresponding frequency Band of the drone.