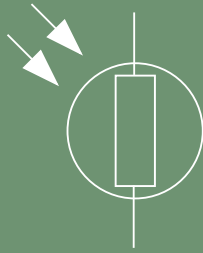


HINTS & TIPS

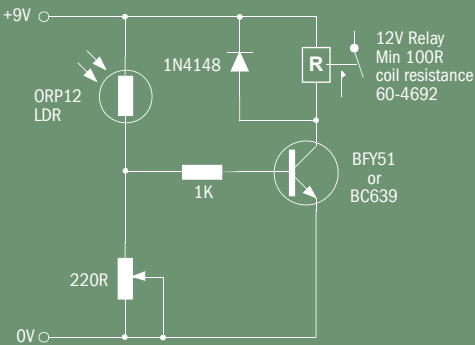
LDR

The resistance of the LDR decreases as the light level increases



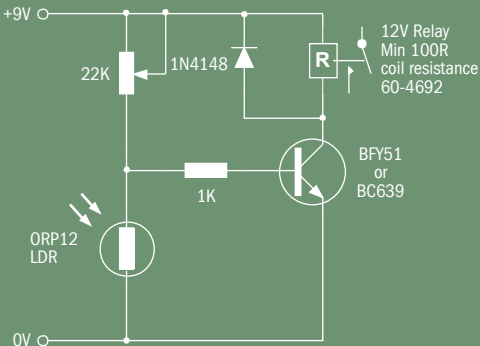
Relay on when dark

The relay is energised when the light level increases above the level set by 220R variable resistor.



Relay on when light

The relay is energised when the light level drops below the level set by 22K variable resistor.



Rapid

We bring STEAM to life

www.rapidonline.com