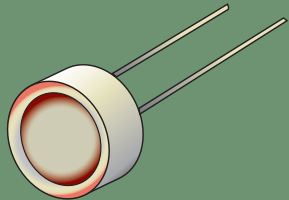
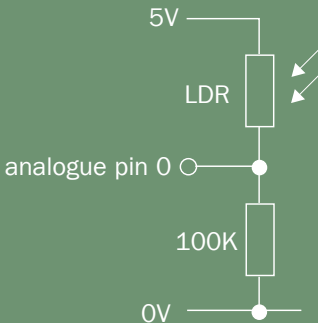
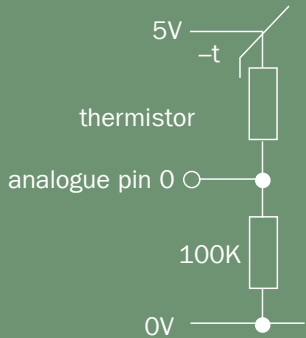
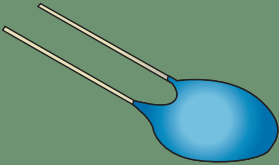


# HINTS & TIPS

## MICROCONTROLLER INPUT INTERFACING

The two interface circuits below are suitable for use with the 16F627 microcontroller.



**Rapid**

We bring STEAM to life

[www.rapidonline.com](http://www.rapidonline.com)