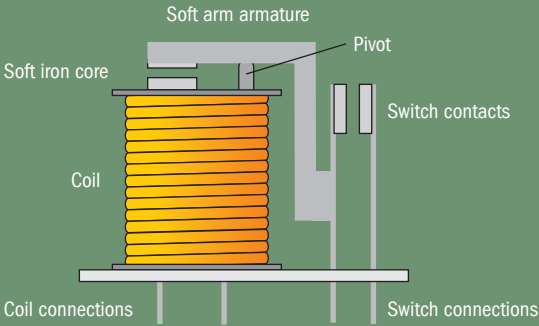


# HINTS & TIPS

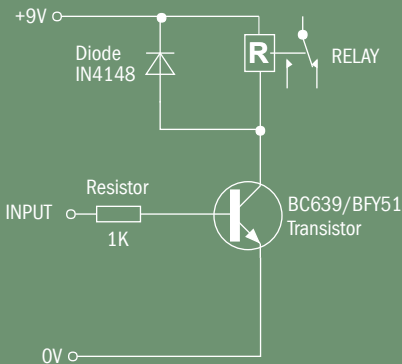
## RELAY

Description:

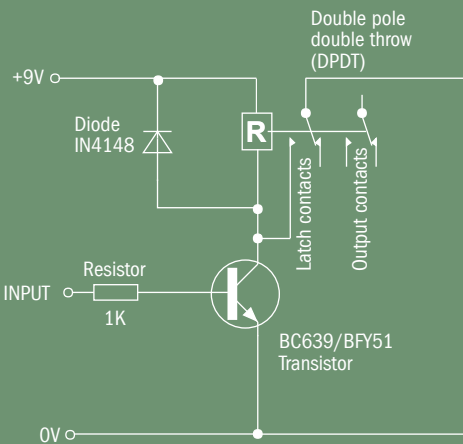
When a current is passed through the coil of the relay it creates a magnetic field which pulls down the armature and closes the switch contacts.



A diode must be used to protect a transistor when using a relay. When the current is removed from the coil of the relay a voltage is induced in the coil. The diode is used across the coil to prevent the voltage from damaging the transistor.



A double pole double throw relay can be used as a latch. The contacts will remain closed after the input source is removed.



**Rapid**

We bring STEAM to life

[www.rapidonline.com](http://www.rapidonline.com)