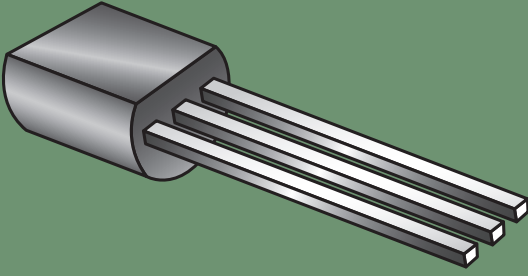
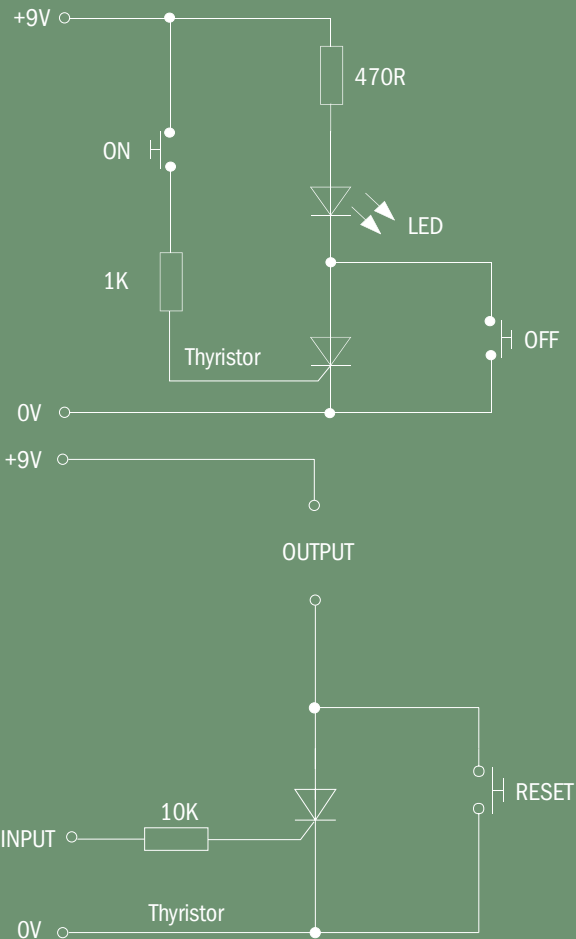


HINTS & TIPS



THYRISTOR (SCR)

When a voltage is applied to the gate of the thyristor (SCR) it turns on. When the voltage to the gate is removed the thyristor will conduct until the power is removed by shorting between the anode and cathode.



Rapid

We bring STEAM to life

www.rapidonline.com