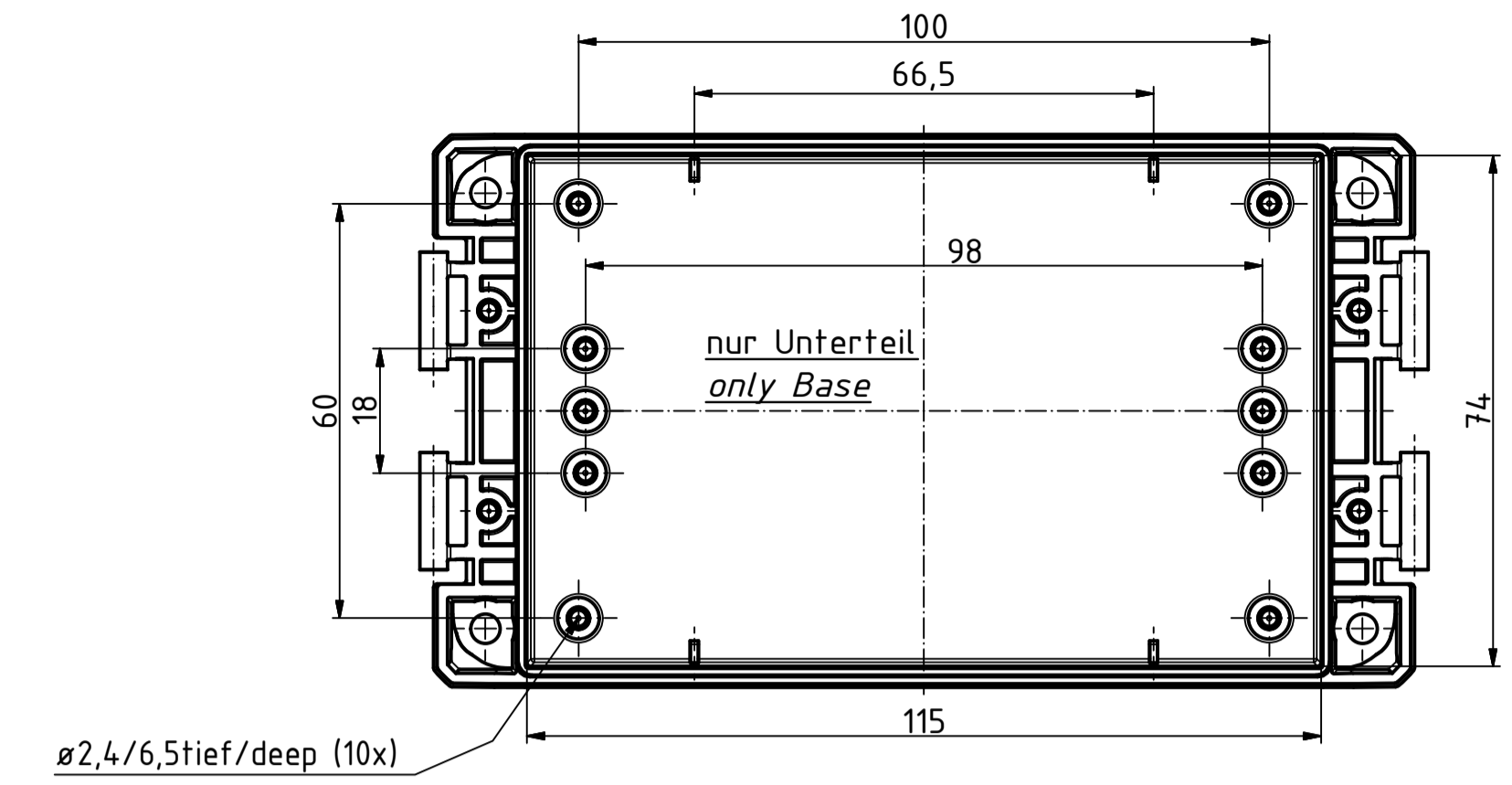
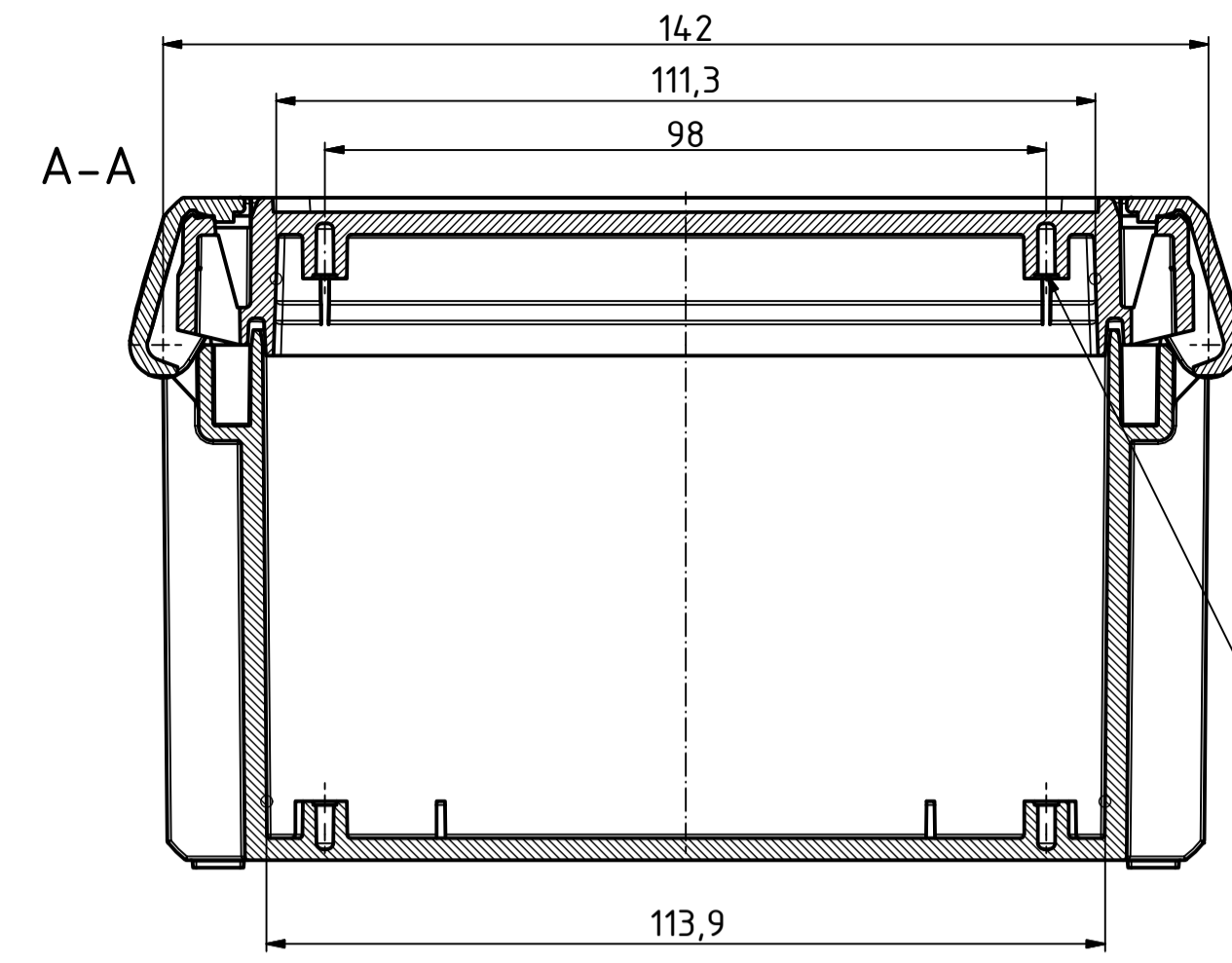
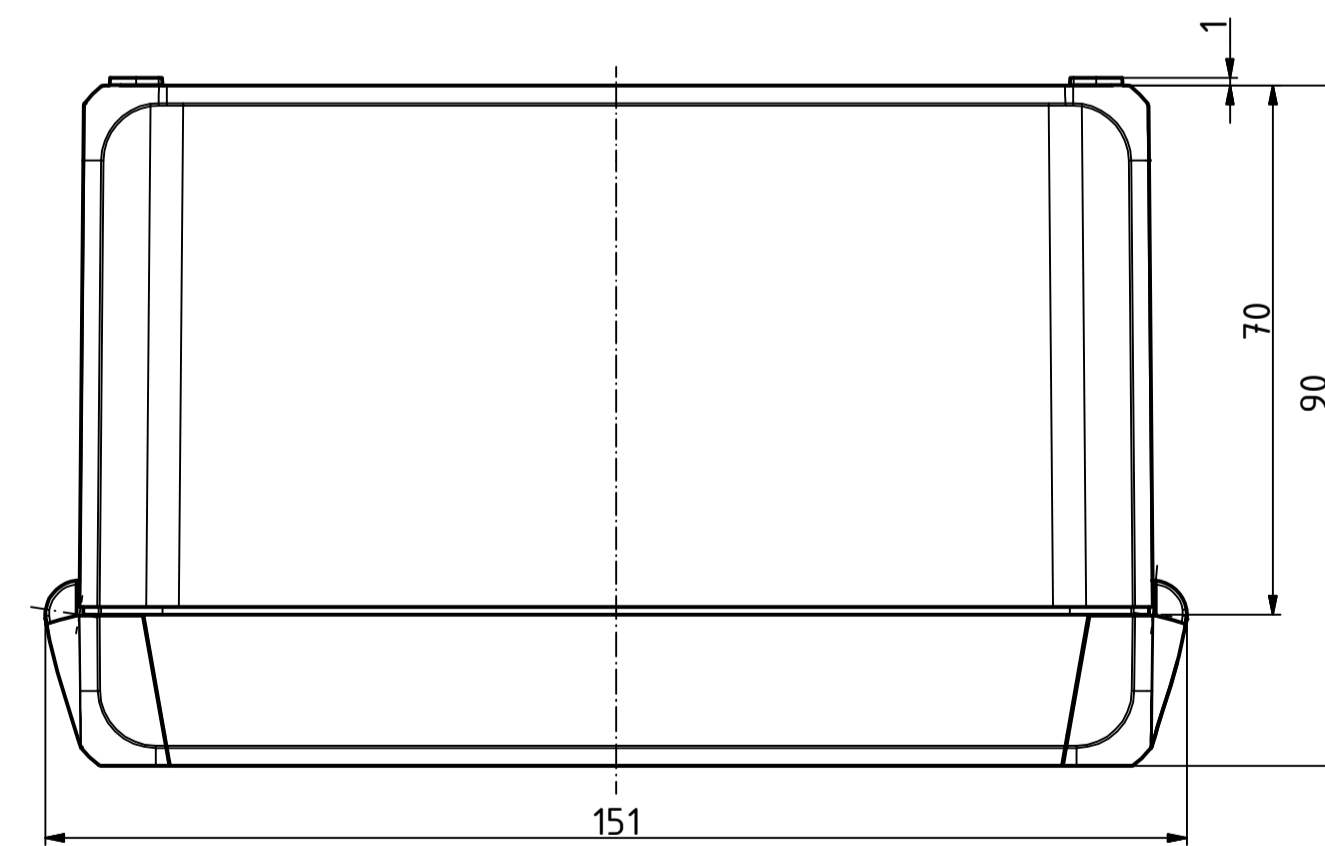
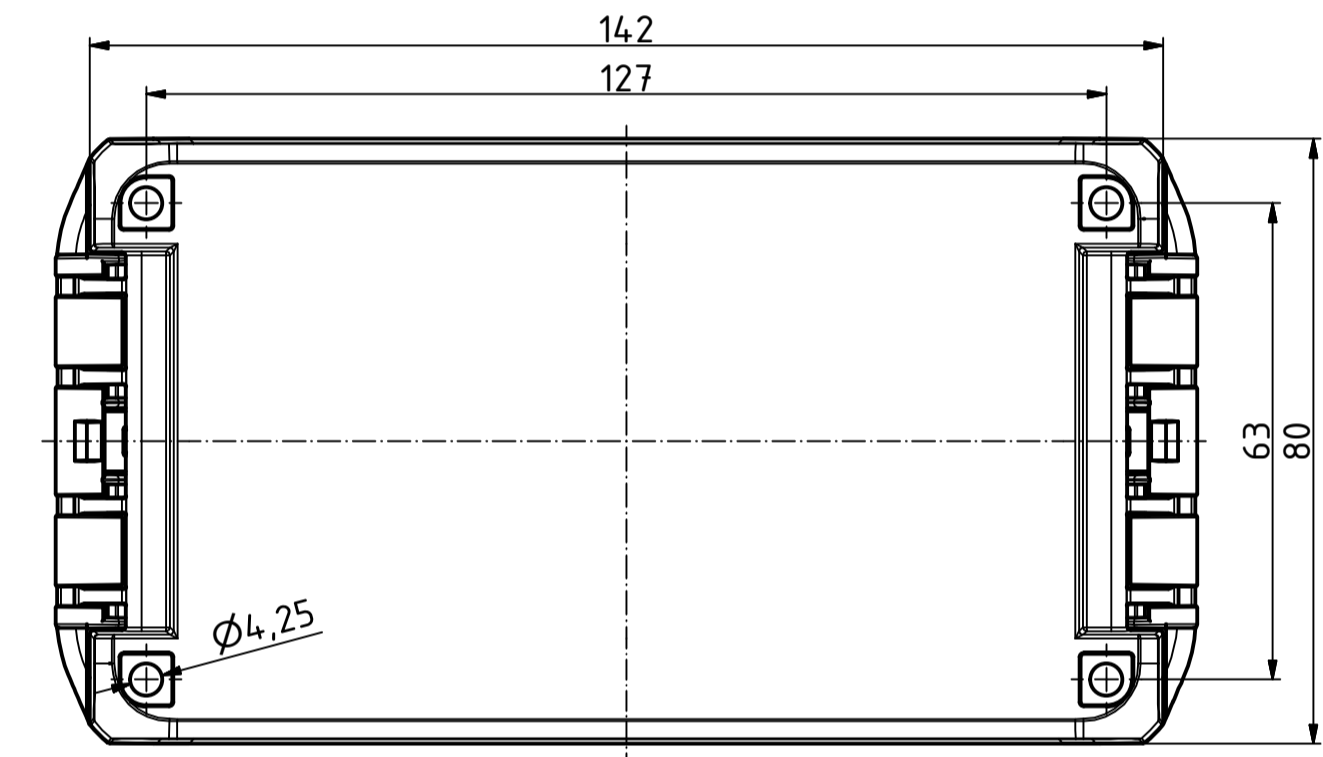
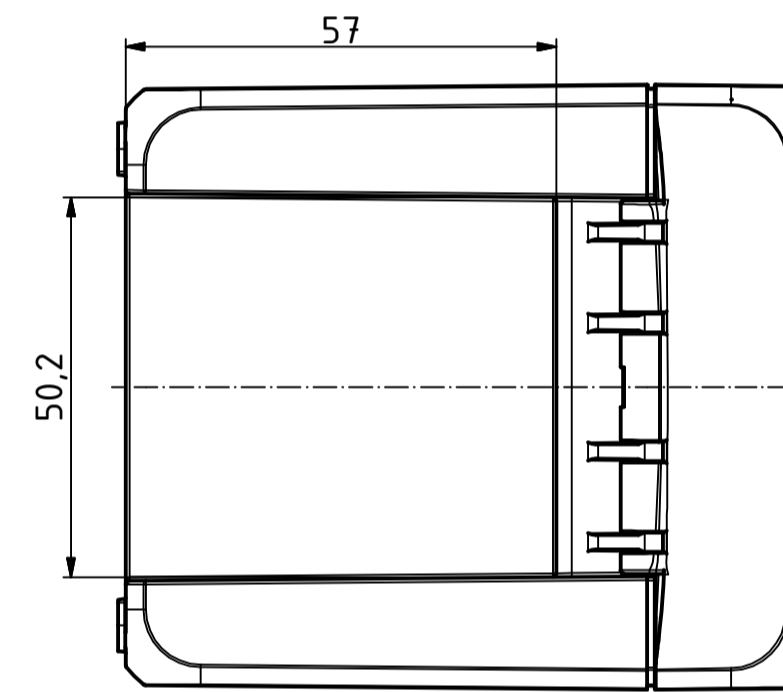
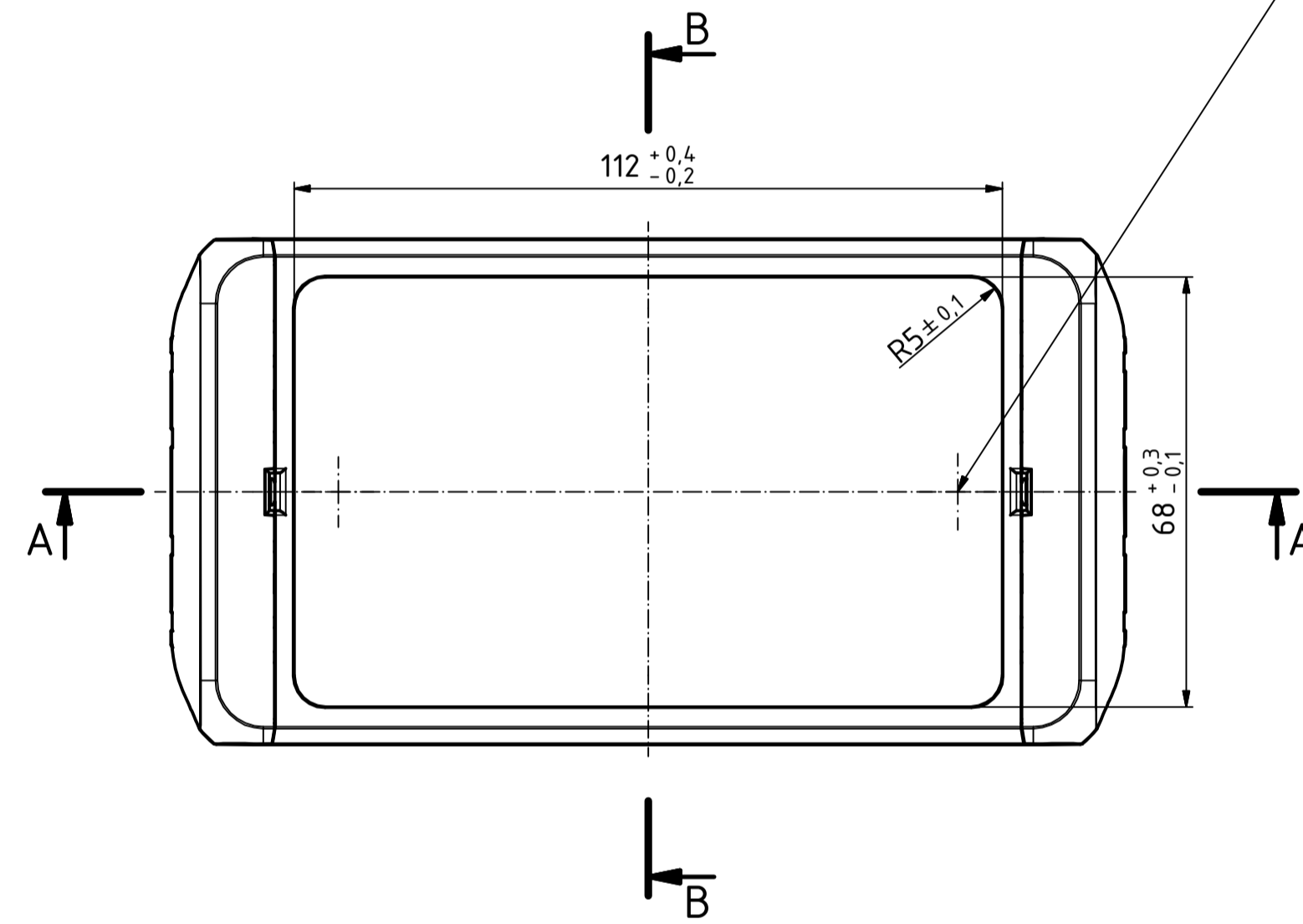
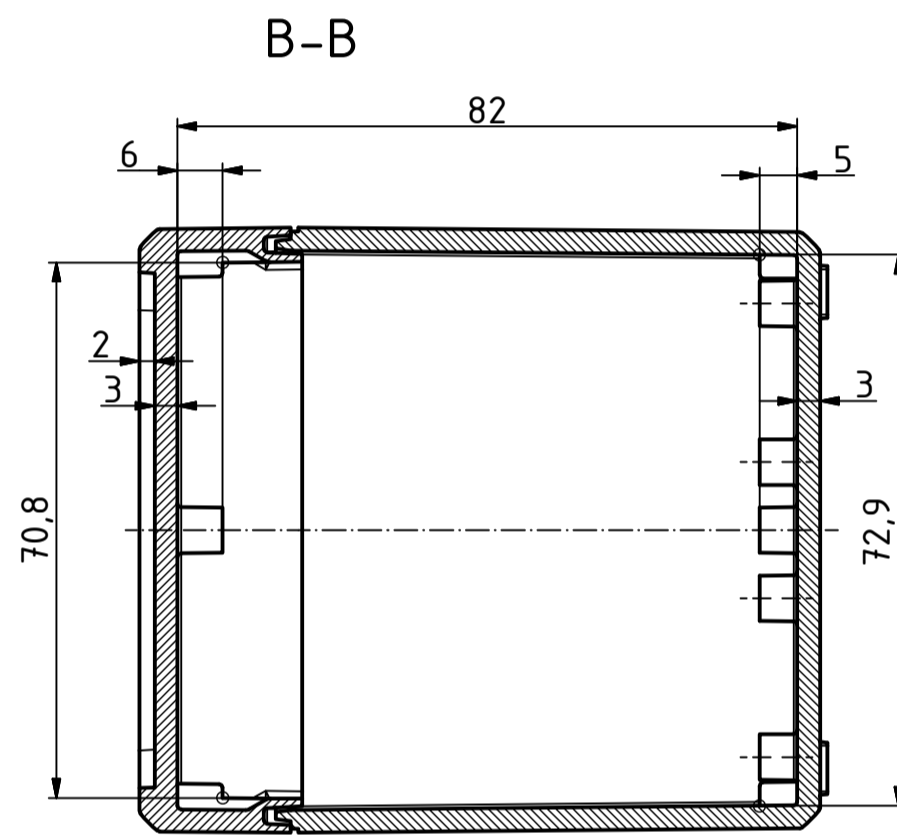


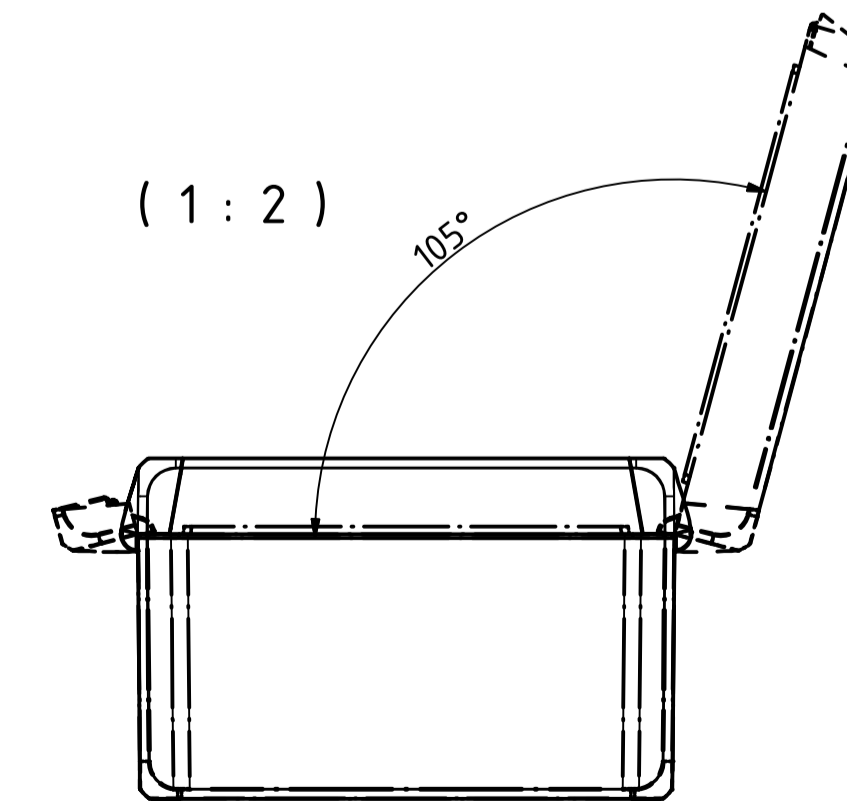
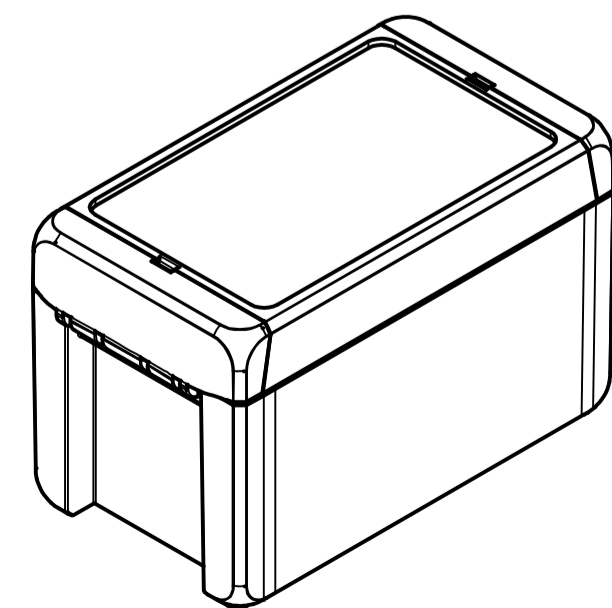
"Schutzvermerk nach DIN ISO 16616 beachten" - "Please pay attention to copyright note DIN ISO 16616"




ø2,4/7,5 tief/deep (2x)



ISO ( 1 : 2 )



|                               |                    |  |
|-------------------------------|--------------------|--|
| Maßstab/<br>Scale:            | 1:1, 1:2           |  |
| Zeichnungs-Nr. / Drawing-No.: | 1K 5390.034.01     |  |
| Artikel / Article:            | BOCUBE<br>B-140809 |  |
| Katalogzg./Catalogue draw.    |                    |  |
| A.Nr./<br>Alt.No.:            | Datum/<br>Date:    |  |
| DISK:                         | 2503379.idw        |  |
| Datum/Date:                   | 22.06.2012 KH      |  |



BOPLA  
A Phoenix Mecano Company