

SPECIFICATION:

Operating Voltage (Max.): 100 V
 Operating Current (Nom.): 2 A
 Operating Temperature: -25°C to 85°C
 Insulation Resistance (Min.): 1000 MΩ
 Contact Resistance (Max.): 10 mΩ
 Dielectric Strength: 800 Vac

MATERIAL:

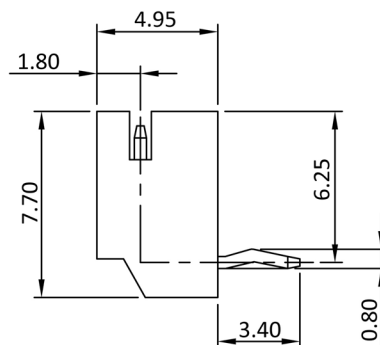
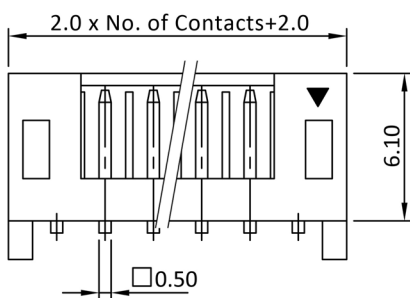
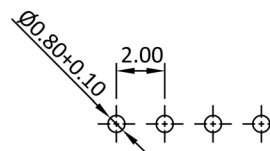
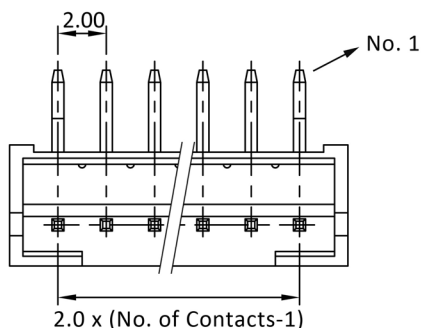
Material (Housing): nylon 66
 Material (Terminal): brass, tin plated
 Material (Contact Area): brass, tin plated

HANDLING:

Packaging: bulk

TOLERANCE:

.X: ± 0.25
 .XX: ± 0.20



Order Information

Identifier:	No. of Contacts:	Version:	Pitch:
CSV	#	W	2
Wafer series CVG pitch 2.0 mm single row angled	2: 1 x 2 3: 1 x 3 4: 1 x 4 : 16: 1 x 16	angled	Pitch 2.0 mm