

Modular Plugs, shielded

8P8C



SPECIFICATION:

Current rating: 1.5 A
Insulation resistance: 1000 MΩ min.
Dielectric voltage: 1000 V AC
Operation temperature: -40 °C to +70 °C

MATERIAL:

Housing: Polycarbonate UL94V-2
Contacts: Copper alloy
Shield: Brass

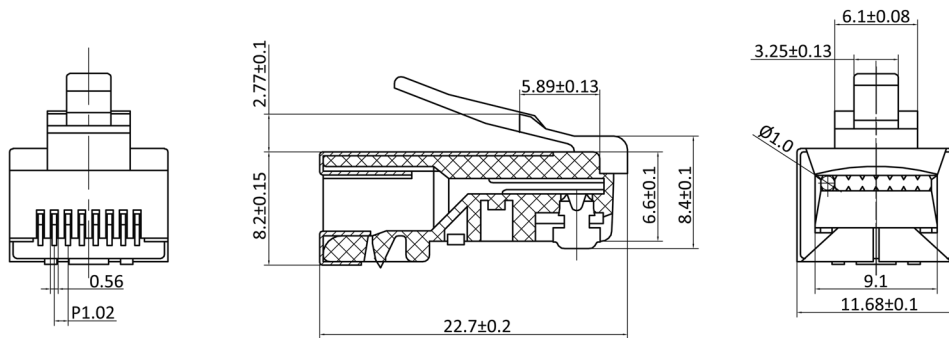
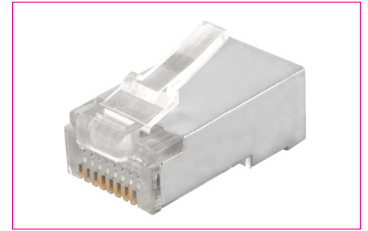
FINISH:

Contacts: Gold plated 3 μ"
Shield: Nickel plated

HANDLING:

Packing: Bulk

RoHS
COMPLIANT



Order-Information

Identifier:

MPL8/8

Modular Plug 8P8C

Version:

RG

RG: for round cable, shielded