

# Modular Jacks, shielded

PCB with grounding tabs, tap up



RoHS  
COMPLIANT

### SPECIFICATION:

Current rating: 1.5 A  
 Insulation resistance: 500 MΩ min.  
 Contact resistance: 40 mΩ max.  
 Dielectric voltage: 1000 V AC  
 Operation temperature: 0 °C to +70 °C

### MATERIAL:

Housing: PBT UL94V-0  
 Contacts: Phosphorbronze  
 Solder pins: Phosphorbronze  
 Shield: Brass

### FINISH:

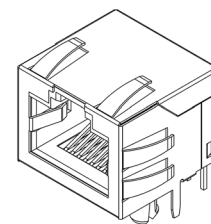
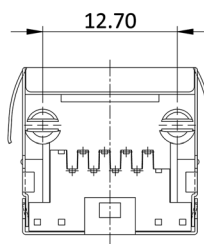
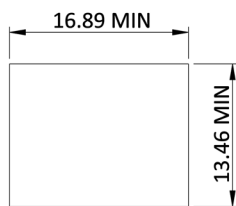
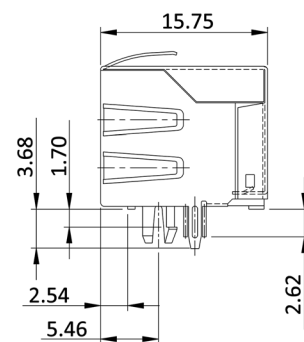
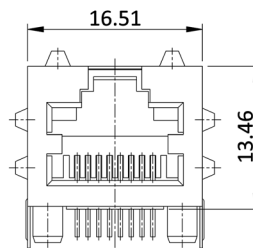
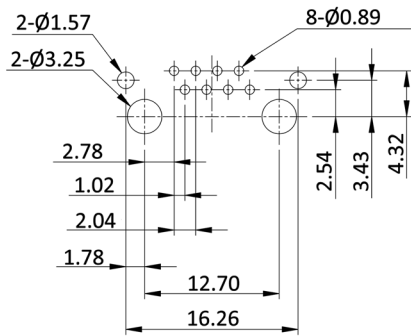
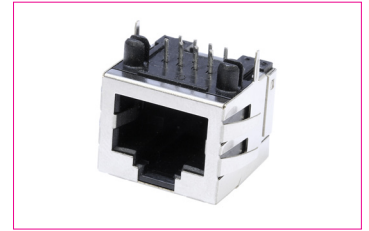
Contacts: Gold over nickel  
 Solder pins: Tin over nickel  
 Shield: Nickel plated

### HANDLING:

Processing: Wave soldering  
 Packing: Tray

### TOLERANCE:

.X ± 0.38  
 .XX ± 0.25



### Order-Information

Identifier:	Positions:	Conductors:	Contact Plating:
MUB	8	8	#
Modular Jack shielded, tap up, PCB mount	8: 8P	8: 8C	A: 6 μ" Gold * B: 15 μ" Gold C: 30 μ" Gold D: 50 μ" Gold

\* = standard