

**Mini Jumper
Pitch 2.0 mm**

Jumper closed version



SPECIFICATION:

Current rating: 3 A
Insulation resistance: 1000 MΩ min.
Contact resistance: 30 mΩ max.
Dielectric voltage: 650 V AC

MATERIAL:

Housing: PBT UL94V-0
Contact: Phosphorbronze

FINISH:

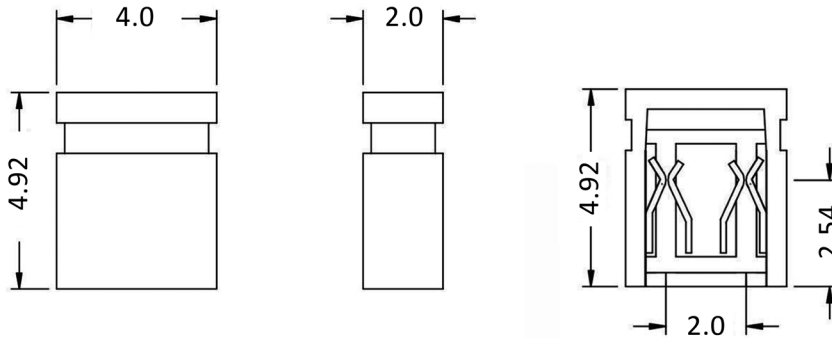
Contact: Gold Flash

Packing: Bulk

TOLERANCE:

.X ± 0.15
.XX ± 0.05

**RoHS
COMPLIANT**



Order-Information

Identifier:	Colour:		Pitch:
SH	#	/	2
Jumper open	SW: black RT: red BL: blue		2: Pitch 2.0 mm