

D-Sub Plastic Cover, Black, with rubber grommet

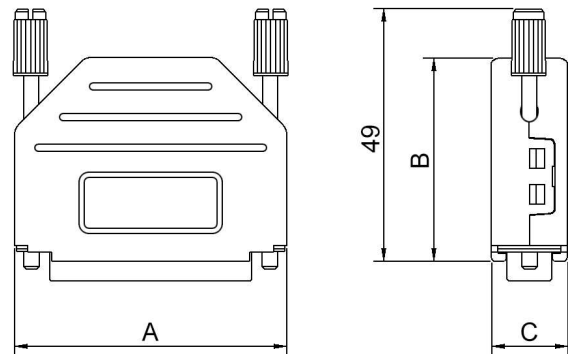
TECHNICAL SPECIFICATIONS

Material: Polyamid, UL-recognised
 Operating Temperature: -55°C to +110°C
 Cable Entry: Top
 Thumbscrews: UNC 4-40 (Standard)
 M2,5 or M3 on request
 Cable O.D:
 9-way Up to 8mm
 15-way Up to 11,7mm
 25-way Up to 11,7mm
 37-way Up to 11,7mm
 50-way Up to 11,7mm
 Colour: Black



Features:

- Available in sizes 9-15-25-37-50-way
- Black Rubber Grommet included
- Suitable for any common Sub-D connector
- Quick-snap locking system
- Company logo can be moulded on request



Rubber Grommet - Included in Kits:

- Small Rubber grommet (size 9 only)
6844-0102-01
- Large Rubber grommet (size 15-25-37-50)
6844-0103-01



Size	Dim A	Dim B	Dim C
9-way	31,5	34,0	15,0
15-way	40,0	34,0	15,0
25-way	53,5	34,0	15,0
37-way	70,0	40,0	15,0
50-way	67,5	40,0	15,0

Ordering information: *Standard, with rubber grommet - Black*

Size:	P/N - Kitted:	Product Code:
9-way	6260-0101-51	DPPK09-BK-RG-K
15-way	6260-0101-52	DPPK15-BK-RG-K
25-way	6260-0101-53	DPPK25-BK-RG-K
37-way	6260-0101-54	DPPK37-BK-RG-K
50-way	6260-0101-55	DPPK50-BK-RG-K

Size:	P/N - BULK:	Product Code:
9-way	6261-0101-51	DPPK09-BK-RG
15-way	6261-0101-52	DPPK15-BK-RG
25-way	6261-0101-53	DPPK25-BK-RG
37-way	6261-0101-54	DPPK37-BK-RG
50-way	6261-0101-55	DPPK50-BK-RG

