

**TECHNICAL SPECIFICATIONS**

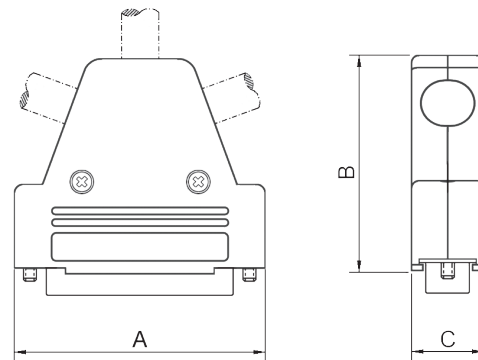
**D-Sub Hood:**

**Material:** UL 94 V-0 Plastic Material  
**Operating Temperature:** -55°C to +110°C  
**Cable Entry:** Side / Top / Side  
**Thumbscrews:** UNC 4-40 (Standard)  
**Cable O.D.:** Up to 11,5mm  
**Colour:** Black



**Male D-Sub Solder Cup:**

**Insulator:** PBT, Black, UL94 V-0  
**Shell:** Steel, Tin Plated  
**Contact pins:** Copper Alloy  
**Stamped & Formed Pins:** Class 3, 100 inserts min.  
**Machined Contact Pins:** Class 1, 500 inserts min.  
**Contact Plating:** Selective Gold over Nickel  
**Operating Temperature:** -55°C to +105°C  
**Withstanding voltage:** 1000V for 1 minute  
**Insulator resistance:** 1000MΩ min.



D-Sub-Hood

**Features:**

- Available in sizes 9-15-25-37
- All sizes feature 3-Way Entry solution
- Re-openable
- Supplied with 2 Blanking Plates and 2 Strain Relief clamps.

Size TRI-P	Dim A	Dim B	Dim C
9-way	31,0	45,2	15,0
15-way	40,3	45,2	15,0
25-way	53,5	45,2	15,0
37-way	70,0	45,2	15,0

**Ordering information:**

**Class 3 D-Sub Connector Kits (100 inserts min.)**

Size:	P/N - Kitted:	Product Code - MALE Conn. Kit
9-way	6355-0036-01	TRI-P-09-DBP-K
15-way	6355-0036-02	TRI-P-15-DBP-K
25-way	6355-0036-03	TRI-P-25-DBP-K
37-way	6355-0036-04	TRI-P-37-DBP-K

**Ordering information:**

**Class 1 D-Sub Connector Kits (500 inserts min.)**

Size:	P/N - Kitted:	Product Code - MALE Conn. Kit
9-way	6355-0037-01	TRI-P-09-DMP-K
15-way	6355-0037-02	TRI-P-15-DMP-K
25-way	6355-0037-03	TRI-P-25-DMP-K
37-way	6355-0037-04	TRI-P-37-DMP-K