

TECHNICAL SPECIFICATIONS

D-Sub Hood:

Material: Zinc, Nickel Plated
 Operating Temperature: -40°C to +120°C
 Cable Entry: Top Entry
 Rubber Grommet RGS
 Strain relief: Clamp + Insert
 Thumbscrews: **Long Jackscrews**
 UNC 4-40 (Standard)
 M2,5 or M3 on request
 Cable O.D: Up to 11.5mm

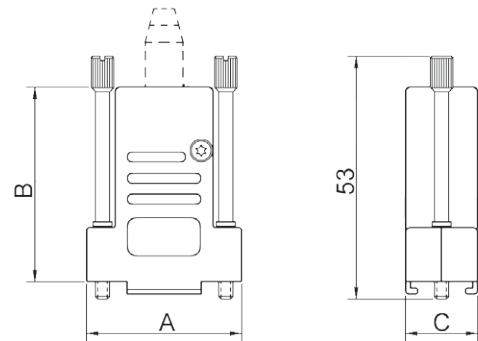
D-Sub High Density:

Insulator: PBT, White, UL94 V-0
 Shell: Stamped Steel, Tin Plated
 Contact pins: Copper Alloy
 Stamped & Formed pins: 100 inserts min
 Contacts Plating: Selective Gold over Nickel
 Operating Temperature: -55°C to +105°C
 Withstanding voltage: 500V for 1 minute



Features:

- Full Metal D-Sub hood
- Long Jackscrews
- Universal Rubber Grommet
- 360° EMI Shielding
- Quick assembly
- Pre-mounted locking screws
- Supports all types of cables
- Suitable for any common D-Sub connector



Size DTSL	Dim A	Dim B	Dim C
9-way	32,2	42,0	15,0
15-way	40,8	42,3	15,0
25-way	54,0	42,3	15,0
37-way	70,5	48,0	15,0

Ordering information:

Class 3 D-Sub Connector Kits (100 inserts min.)

Size:	P/N - Kitted:	Product Code - MALE Conn. Kit
HD 15	6355-8041-01	DTSL09-LJSRG-T-HDP15-W-K
HD 26	6355-8041-02	DTSL15-LJSRG-T-HDP26-W-K
HD 44	6355-8041-03	DTSL25-LJSRG-T-HDP44-W-K
HD 62	6355-8041-04	DTSL37-LJSRG-T-HDP62-W-K

Size:	P/N - Kitted:	Product Code - FEMALE Conn. Kit
HD 15	6355-8041-11	DTSL09-LJSRG-T-HDS15-W-K
HD 26	6355-8041-12	DTSL15-LJSRG-T-HDS26-W-K
HD 44	6355-8041-13	DTSL25-LJSRG-T-HDS44-W-K
HD 62	6355-8041-14	DTSL37-LJSRG-T-HDS62-W-K

